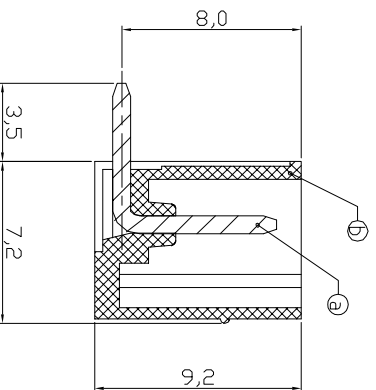
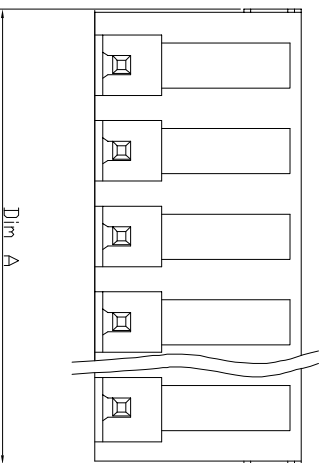


**Material**  
 Item ③ Male contact pin: Copper C1100 Tin plated  
 Item ④ Terminal housing: Thermoplastik(UL94V-0)  
 Green(RAL6018/7)

**Electrical** cULus/VDE  
 Voltage rating: 300V/300V  
 Current rating: 10A/10.5A  
 Withstanding Voltage: 1.6kV/2.5kV  
 Operating temperature: -40°C to +115°C  
 Soldering temperature: 250°C±10°C/5 Sec  
 Safety Approval:



**DIMENSION**

A	(N-1)x3.81+5.0
B	(N-1)x3.81

N=number of poles

Poles	Tolerance
2-6P	±0.15
7-12P	±0.20
13-18P	±0.25
19-24P	±0.30

**RoHS compliant**  
 Unit: mm  
  
 File No.: E349947

Scale	Free			Date	Name
<b>TOLERANCE</b>		⑤	Add UL	15.03.2016	Amy
X.	±0.50	④	Update the design	12.02.2015	Amy
X.X	±0.30	③	Modify Notes	10.12.2009	Dean
X.XX	±0.10	②	Update	29.07.2009	Dean
<b>DIM</b>	<b>TOL</b>	①	Drawn	13.09.2006	Hellwig
X.°	±1°				
<b>Angle</b>	<b>TOL</b>	<b>Modification</b>			

Customer-No.	ASSMANN WSW-No.	
	A-TB381-OQXXCH	
Drawing-No.	ASS 2071 CO	rev05
Replace		Sheet

1	2	3	4	5	6	7	A
1	2	3	4	5	6	7	B
1	2	3	4	5	6	7	C
1	2	3	4	5	6	7	D
1	2	3	4	5	6	7	E
1	2	3	4	5	6	7	F
1	2	3	4	5	6	7	G
1	2	3	4	5	6	7	H