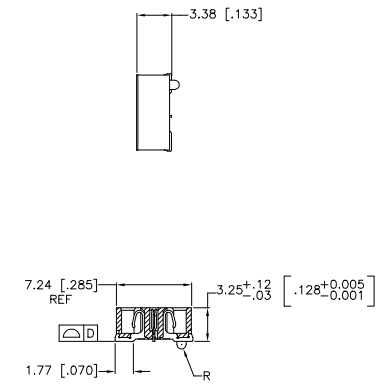
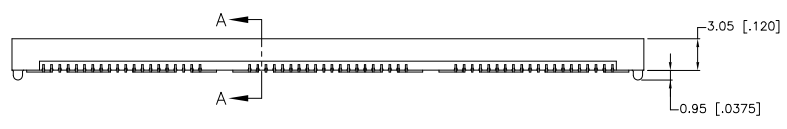
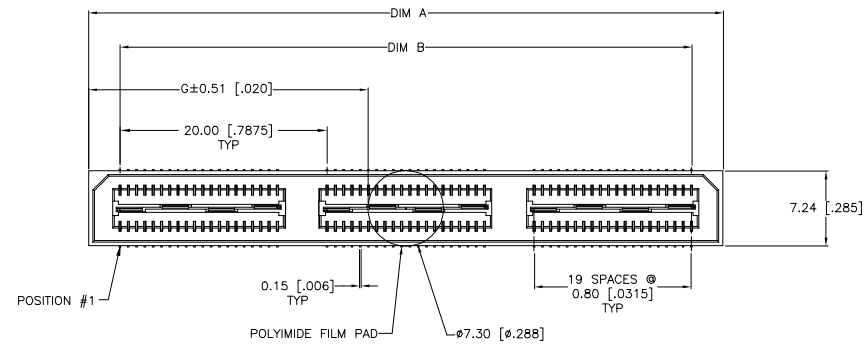
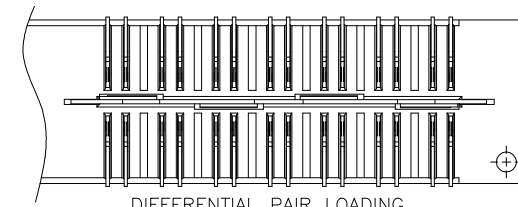
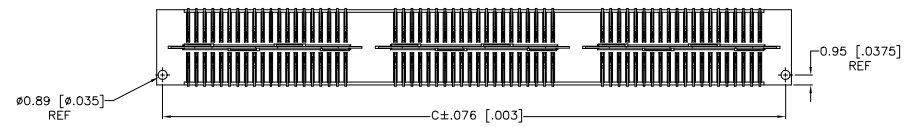


REVISIONS				
#	DATE	DESCRIPTION	BY	APP'D
1	29MAY2019	REVISED PER ECR-19-008349	AL	HL

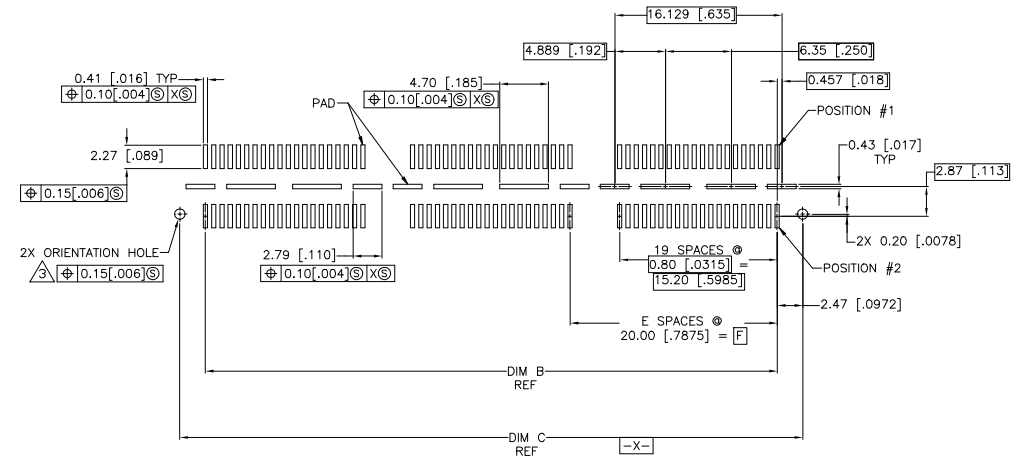
- 1 HOUSING: LCP, BLACK.  
CONTACT & GROUND PLANE: PHOS BRONZE.
- 2 CONTACT PLATING: SELECT 0.25 MICROMETERS (.000010 IN) MIN. GOLD.
- 3 FOR STANDARD APPLICATIONS, ORIENTATION HOLE TO BE Ø1.02 [Ø.0400].
- 4 OBSOLETE PARTS: OBSOLETE CIS STREAMLINING PER D.RENAUD/D.SINISI



SECTION A-A



DIFFERENTIAL PAIR LOADING (BOTTOM VIEW) SCALE 2:1



RECOMMENDED PC BOARD LAYOUT VIEWED FROM CONNECTOR SIDE

26.99(1.063)	40.00(1.575)	2	0.152(.006)	60.13(2.368)	55.20(2.173)	61.28(2.412)	YES	POCKET TAPE	YES	84	7-1658012-3
16.98(.669)	20.00(.7874)	1	0.102(.004)	40.13(1.580)	35.20(1.386)	41.28(1.625)	YES	POCKET TAPE	YES	56	7-1658012-2
6.99(.275)	0(.000)	0	0.102(.004)	20.13(.793)	15.20(.598)	21.29(.838)	YES	POCKET TAPE	YES	28	7-1658012-1
26.99(1.063)	40.00(1.575)	2	0.152(.006)	60.13(2.368)	55.20(2.173)	61.28(2.412)	YES	POCKET TAPE	NO	120	6-1658012-3
16.98(.669)	20.00(.7874)	1	0.102(.004)	40.13(1.580)	35.20(1.386)	41.28(1.625)	YES	POCKET TAPE	NO	80	6-1658012-2
6.99(.275)	0(.000)	0	0.102(.004)	20.13(.793)	15.20(.598)	21.29(.838)	YES	POCKET TAPE	NO	40	6-1658012-1
-	40.00(1.575)	2	0.152(.006)	60.13(2.368)	55.20(2.173)	61.28(2.412)	NO	POCKET TAPE	YES	84	5-1658012-3
-	20.00(.7874)	1	0.102(.004)	40.13(1.580)	35.20(1.386)	41.28(1.625)	NO	POCKET TAPE	YES	56	5-1658012-2
-	0(.000)	0	0.102(.004)	20.13(.793)	15.20(.598)	21.29(.838)	NO	POCKET TAPE	YES	28	5-1658012-1
-	40.00(1.575)	2	0.152(.006)	60.13(2.368)	55.20(2.173)	61.28(2.412)	NO	POCKET TAPE	NO	120	4-1658012-3
-	20.00(.7874)	1	0.102(.004)	40.13(1.580)	35.20(1.386)	41.28(1.625)	NO	POCKET TAPE	NO	80	4-1658012-2
-	0(.000)	0	0.102(.004)	20.13(.793)	15.20(.598)	21.29(.838)	NO	POCKET TAPE	NO	40	4-1658012-1
47.00(1.850)	80.00(3.150)	4	0.152(.006)	100.14(3.943)	95.20(3.748)	101.30(3.988)	YES	TRAY	YES	140	3-1658012-5
36.99(1.456)	60.00(2.362)	3	0.152(.006)	80.14(3.155)	75.20(2.961)	81.28(3.200)	YES	TRAY	YES	112	3-1658012-4
26.99(1.063)	40.00(1.575)	2	0.152(.006)	60.13(2.368)	55.20(2.173)	61.28(2.412)	YES	TRAY	YES	84	3-1658012-3
16.98(.669)	20.00(.7874)	1	0.102(.004)	40.13(1.580)	35.20(1.386)	41.28(1.625)	YES	TRAY	YES	56	3-1658012-2
6.99(.275)	0(.000)	0	0.102(.004)	20.13(.793)	15.20(.598)	21.29(.838)	YES	TRAY	YES	28	3-1658012-1
47.00(1.850)	80.00(3.150)	4	0.152(.006)	100.14(3.943)	95.20(3.748)	101.30(3.988)	YES	TRAY	NO	200	2-1658012-5
36.99(1.456)	60.00(2.362)	3	0.152(.006)	80.14(3.155)	75.20(2.961)	81.28(3.200)	YES	TRAY	NO	160	2-1658012-4
26.99(1.063)	40.00(1.575)	2	0.152(.006)	60.13(2.368)	55.20(2.173)	61.28(2.412)	YES	TRAY	NO	120	2-1658012-3
16.98(.669)	20.00(.7874)	1	0.102(.004)	40.13(1.580)	35.20(1.386)	41.28(1.625)	YES	TRAY	NO	80	2-1658012-2
6.99(.275)	0(.000)	0	0.102(.004)	20.13(.793)	15.20(.598)	21.29(.838)	YES	TRAY	NO	40	2-1658012-1
-	80.00(3.150)	4	0.152(.006)	100.14(3.943)	95.20(3.748)	101.30(3.988)	NO	TRAY	YES	140	1-1658012-5
-	60.00(2.362)	3	0.152(.006)	80.14(3.155)	75.20(2.961)	81.28(3.200)	NO	TRAY	YES	112	1-1658012-4
-	40.00(1.575)	2	0.152(.006)	60.13(2.368)	55.20(2.173)	61.28(2.412)	NO	TRAY	YES	84	1-1658012-3
-	20.00(.7874)	1	0.102(.004)	40.13(1.580)	35.20(1.386)	41.28(1.625)	NO	TRAY	YES	56	1-1658012-2
-	0(.000)	0	0.102(.004)	20.13(.793)	15.20(.598)	21.29(.838)	NO	TRAY	YES	28	1-1658012-1
-	80.00(3.150)	4	0.152(.006)	100.14(3.943)	95.20(3.748)	101.30(3.988)	NO	TRAY	NO	200	1658012-5
-	60.00(2.362)	3	0.152(.006)	80.14(3.155)	75.20(2.961)	81.28(3.200)	NO	TRAY	NO	160	1658012-4
-	40.00(1.575)	2	0.152(.006)	60.13(2.368)	55.20(2.173)	61.28(2.412)	NO	TRAY	NO	120	1658012-3
-	20.00(.7874)	1	0.102(.004)	40.13(1.580)	35.20(1.386)	41.28(1.625)	NO	TRAY	NO	80	1658012-2
-	0(.000)	0	0.102(.004)	20.13(.793)	15.20(.598)	21.29(.838)	NO	TRAY	NO	40	1658012-1
G	F	E	D	C	B	A		POLYIMIDE FILM PAD			

THIS DRAWING IS A CONTROLLED DOCUMENT. DWG. NO. MCMMASTER 1658012-5

DIMENSIONS: mm (INCHES)

DATE: 29MAY2019

DESIGNER: J. DIXON

APP'D: J. DIXON

PRODUCT SPEC: RECEPTACLE ASSEMBLY, VERTICAL 0.80MM CL.

APPLICATION SPEC: -

SCALE: 4:1

DRAWING NO: A100779

PART NUMBER: C=1658012

SHEET 1 OF 1

REV N