

MATERIALS AND FINISHES

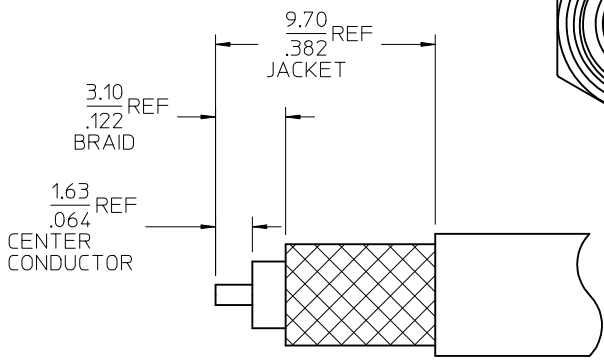
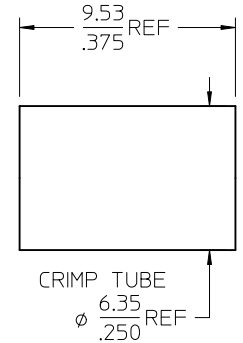
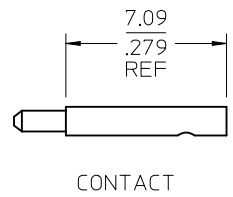
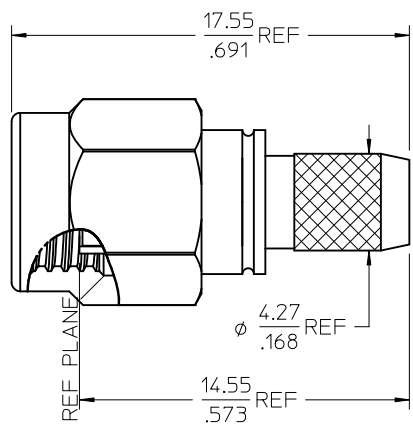
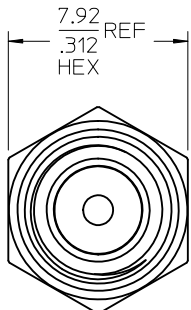
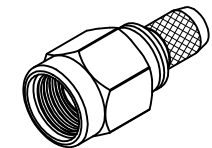
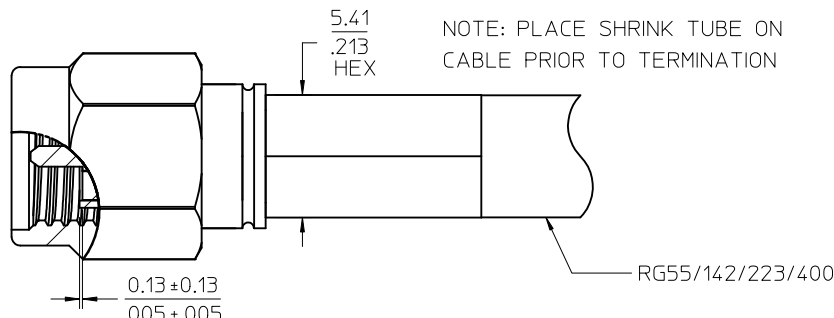
BODY AND COUPLING NUT STAINLESS STEEL
PASSIVATED

CENTER CONTACT BRASS
PLATED GOLD

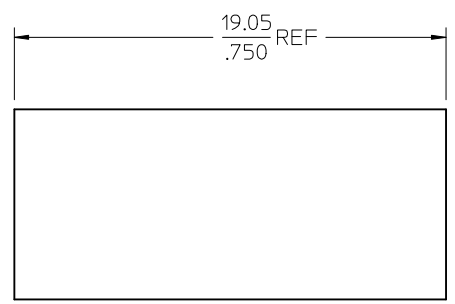
INSULATOR TEFLON

CRIMP TUBE BRASS
PLATED NICKEL

SHRINK TUBE VERSIFIT OR EQUIVALENT



RECOMMENDED STRIP DIMENSIONS



LABEL FORMAT FOR
73251-0112

PART NUMBER: 73251-0111
ORDER NUMBER: 73251-0112
MOLEX
DATE: YYWW

73251-0112	ONE PIECE 73251-0111 PER BAG
73251-0111	BULK
PART NO.	PACKAGING

ES-89675-1570	CABLE ASSY INSTRUCT.
MIL-STD-348A, FIG. 310.1	INTERFACE
SPECIFICATION	DESCRIPTION

CHG: UPDATE LABEL FOR -0112	EC NO: URF2012-0380	2012/01/04
	DRW: BOMALLEY	2012/01/04
REV: A3	CHK: AZR	2012/01/04
	APPR: WIENER	2012/01/04

QUALITY SYMBOLS	DESCRIPTION
▽=0	
▽=0	

GENERAL TOLERANCES (UNLESS SPECIFIED)	DIMENSION STYLE
	MM/IN
4 PLACES ± --- ± ---	DRAWN BY DATE
3 PLACES ± --- ± ---	GMH 1997/11/07
2 PLACES ± --- ± ---	CHECKED BY DATE
1 PLACE ± --- ± ---	DHG 1998/01/05
ANGULAR ± 2 °	APPROVED BY DATE
	GMH 1997/01/06

TITLE	SCALE	DESIGN UNITS	THIRD ANGLE PROJECTION
SMA PLUG, STR, CRIMP TYPE FOR RG55/142/223/400 SMA-PC		METRIC	
MATERIAL NO.	DOCUMENT NO.	SHEET NO.	
SEE TABLE	SD-73251-011	1 OF 1	

MOLEX INCORPORATED	
THIS DRAWING CONTAINS INFORMATION THAT IS PROPRIETARY TO MOLEX INCORPORATED AND SHOULD NOT BE USED WITHOUT WRITTEN PERMISSION	