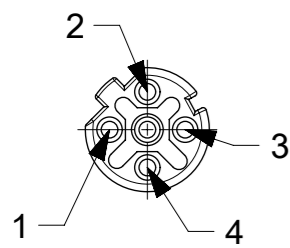


4 POLE D-CODE

M12 FEMALE



PIN	WIRE COLOR
1	OR
2	GN
3	OR/WH
4	GN/WH
5	-

CODING ACCORDING TO IEC-61076-2-101

PART No MATRIX

E **Y** **0** **A** **0** **0** **1** **X** **X** **X** **X** **X** **X** **X**

EY0: ETHERNET ULTRA LOCK 2.0 SINGLE ENDED

WIRING: A = 4 POLE

HEADER: 001 = FEMALE RA

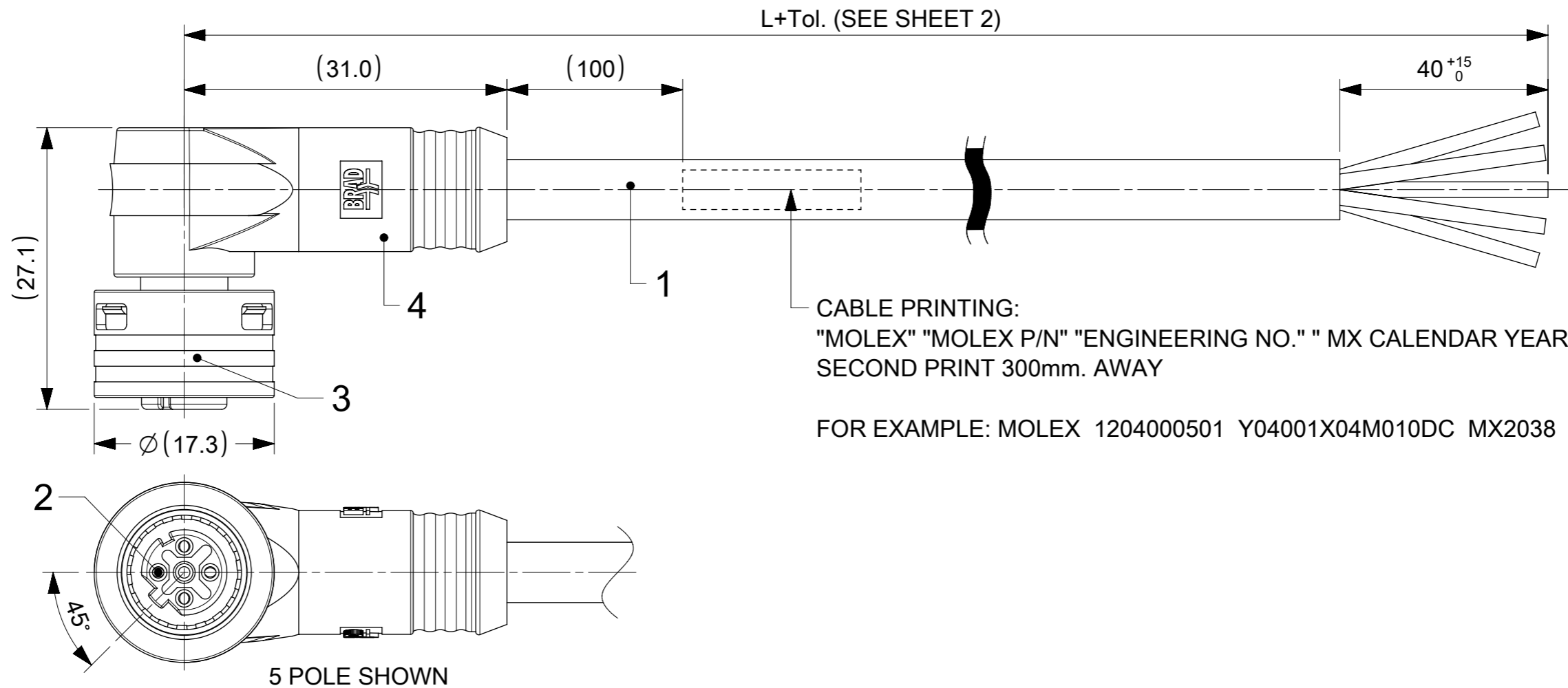
CABLE: 04 = ETHERNET CAT-5E 2x2x24AWG TPE TEAL

UNIT: M = METER F = FEET C = CENTIMETER T = 10M

LENGTH: EXAMPLE: 010 = 1 m 050 = 5 m 100 = 10 m

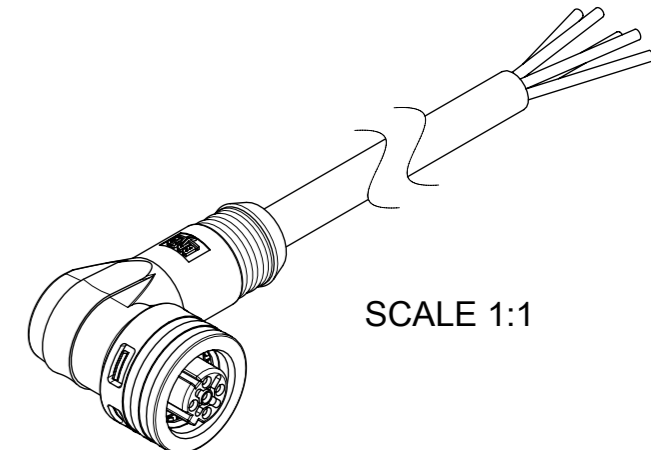
OPTIONS

OVERMOLD: BLANK = STANDARD BRAD: - YELLOW IN THE USA - BLACK IN EUROPE
 A = GREY
 E = RED
 G = BLACK
 Y = YELLOW
 H = STD. COLOUR WITH TWO ID-TAG CARRIERS



NOTES:

- PARTS ACC. TO PRODUCT SPECIFICATION 1204000001 PS P10 AND IN STYLE OF IEC-61076-2-010
- BOM & PART LIST - SEE SHEET 2
- ELECTRICAL DATA: ACCORDING TO CAT5e ETHERNET STANDARD
 RATED VOLTAGE: 60V DC
 RATED CURRENT: 1.5A, DERATING HAS TO BE CONSIDERED
 OVERVOLTAGE CATEGORY: 3
 POLLUTION DEGREE: 3, ONLY IN MATED AND LOCKED CONDITION
- PROTECTION CLASS: IP 67, ONLY IN MATED AND LOCKED CONDITION
- TEMPERATURE RANGE:
 TEMPERATURE PLUG/SOCKET: -40 °C TO +85 °C
 TEMPERATURE CABLE: SEE CABLE LIST
- MECHANICAL OPERATIONS: 100 CYCLES
- MATES WITH ULTRA-LOCK M12 MALE RECEPTACLES
- PACKAGING: THE CORDSETS ARE SINGLE PACKED IN PLASTIC BAGS AND DELIVERED IN CARTON BOXES
- UL CSA FILE REGISTRATION PENDING



FUNCTIONAL SYMBOLS	THIS DRAWING CONTAINS INFORMATION THAT IS PROPRIETARY TO MOLEX ELECTRONIC TECHNOLOGIES, LLC AND SHOULD NOT BE USED WITHOUT WRITTEN PERMISSION		CURRENT REV DESC: NOTES AND CABLE LIST UPDATED		molex				
	mm	2:1							
DIVISIONAL SYMBOLS	GENERAL TOLERANCES (UNLESS SPECIFIED)		EC NO: 736602		CSE U12ET 4P DC FE RA TPE 1M SE UNSH TE				
	4 PLACES	± 0.0	DRWN: RSCHIEBER	2023/01/24					
	3 PLACES	± 0.0	CHK'D: RSILLER	2023/01/31					
	2 PLACES	± 0.05	APPR: RSILLER	2023/01/31					
	1 PLACE	± 0.3	INITIAL REVISION:						
0 PLACES	± 0.5	DRWN: RSCHIEBER	2021/04/28	2021/05/05	1204060008				
DRAFT WHERE APPLICABLE MUST REMAIN WITHIN DIMENSIONS		THIRD ANGLE PROJECTION	DRAWING	SERIES	MATERIAL NUMBER	CUSTOMER	DOC TYPE	DOC PART	REVISION
			A3-SIZE	120406	SEE SHEET 2	GENERAL MARKET	PSD	000	A2
DOCUMENT STATUS		P1	RELEASE DATE	2023/01/31	08:21:45				

