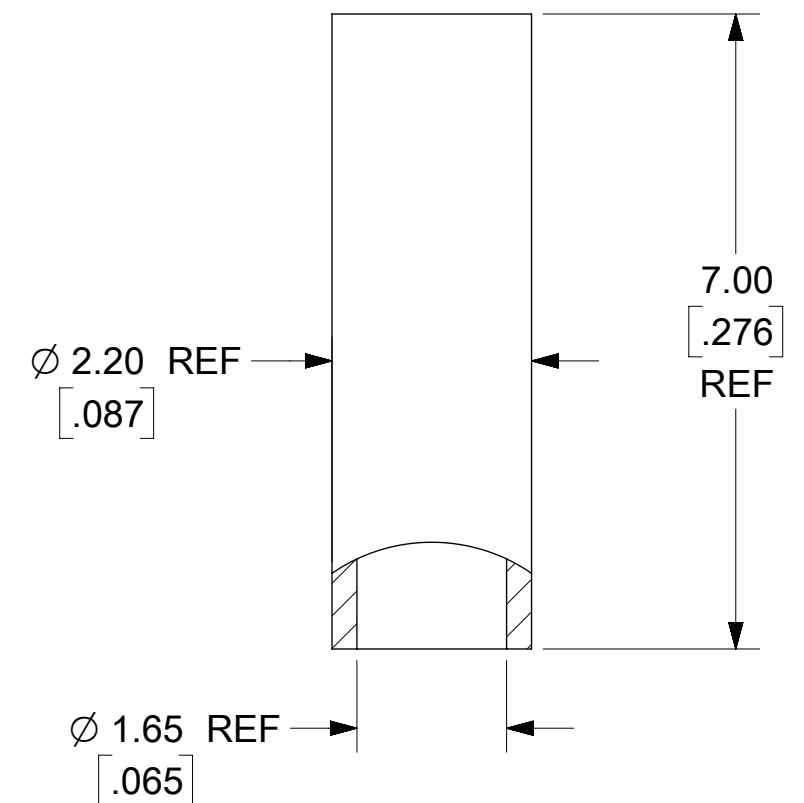
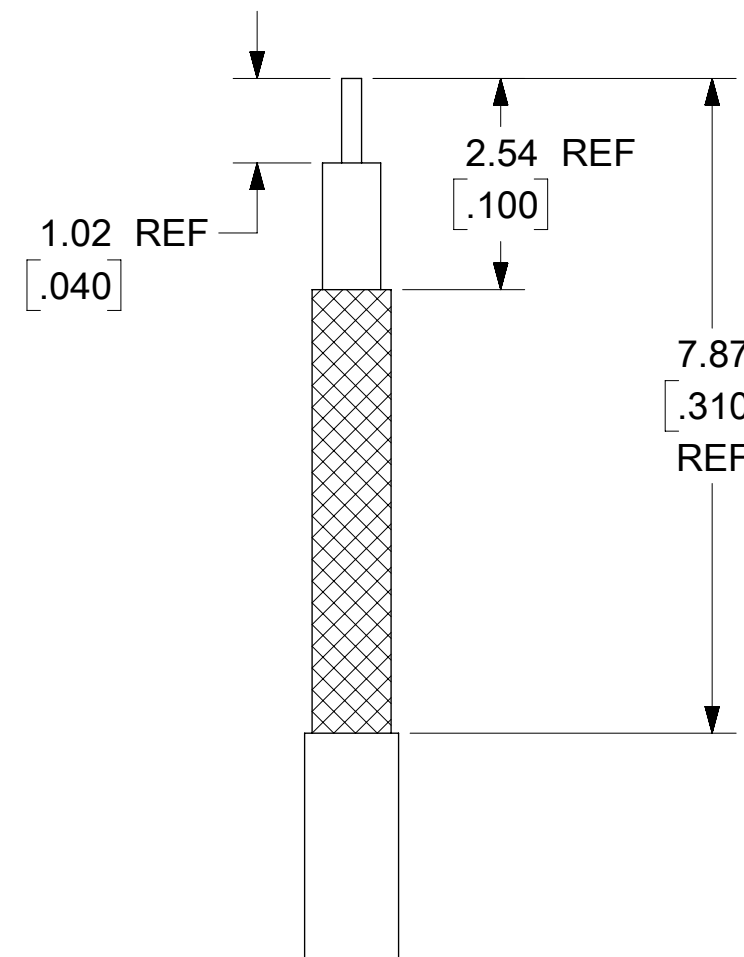
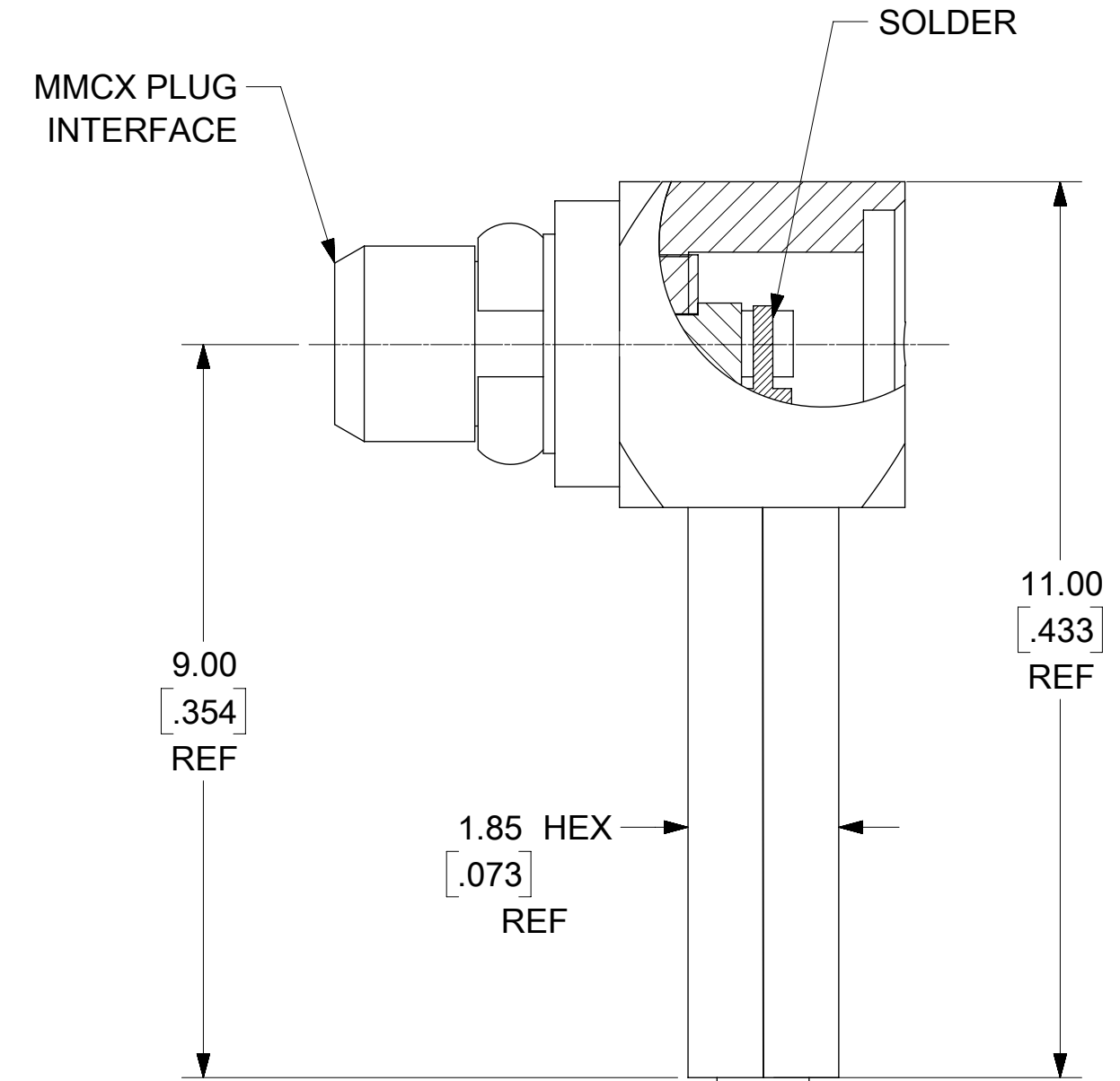
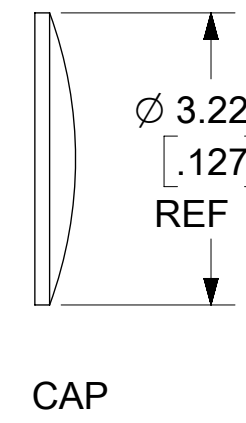
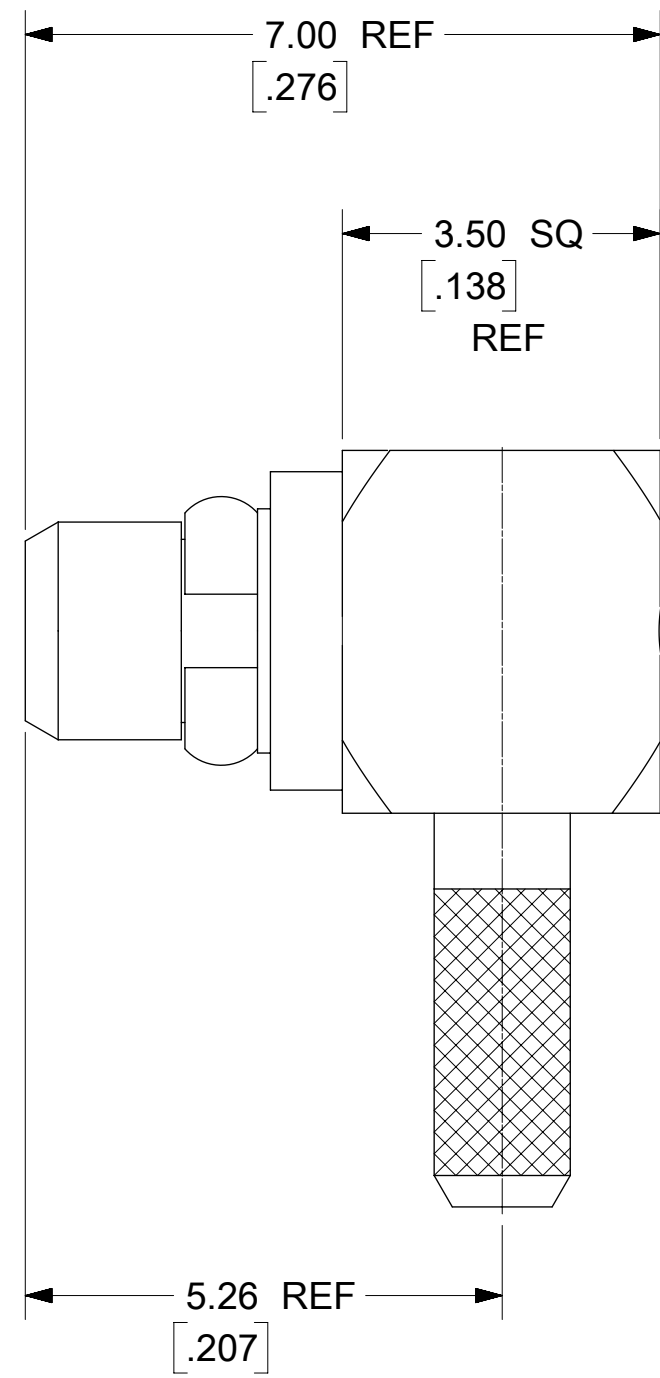
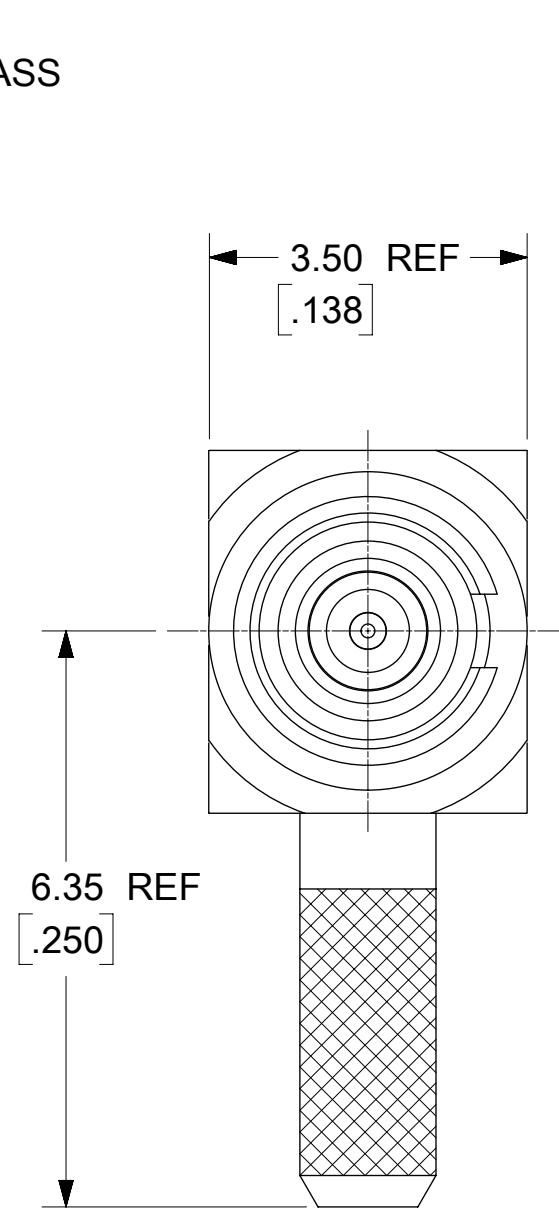
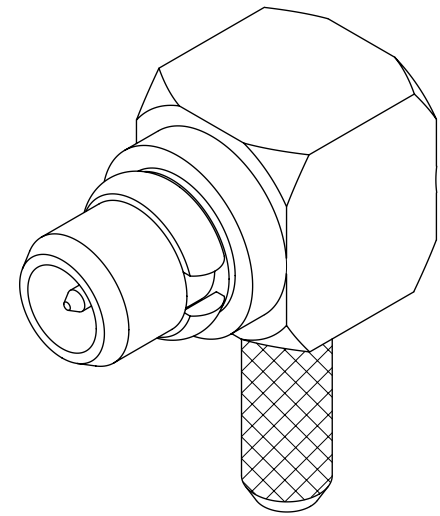


MATERIALS AND FINISHES:

BODY, CONTACT ,CAP, CRIMP TUBE: BRASS  
FINISH: GOLD OVER NICKEL(SEE TABLE)

SNAP RING: BERYLLIUM COPPER  
FINISH: GOLD OVER NICKEL(SEE TABLE)

INSULATOR: PTFE



1.13 / 1.32 CABLE

CRIMP TUBE

73415-2263	COMMERCIAL REQUIREMENTS	HIGH PERFORMANCE	BULK
73415-2262	COMMERCIAL REQUIREMENTS	STANDARD	SINGLE BAG
73415-2261	COMMERCIAL REQUIREMENTS	STANDARD	BULK
73415-2260	MILITARY REQUIREMENTS	STANDARD	BULK
PART NO.	FINISH	PERFORMANCE	PACKAGING

AS-89675-5070	CABLE ASSY INSTRUCTION
IEC-61169-52	INTERFACE
PS-89675-1920	ELECTRICAL/MECHANICAL
SPECIFICATION	DESCRIPTION

73415-2263	1 OVER 50	30 OVER 50	1 OVER 50	1 OVER 50	1 OVER 50
73415-2262	1 OVER 50	30 OVER 50	1 OVER 50	1 OVER 50	1 OVER 50
73415-2261	1 OVER 50	30 OVER 50	1 OVER 50	1 OVER 50	1 OVER 50
73415-2260	30 OVER 100	50 OVER 100	30 OVER 100	50 OVER 100	30 OVER 100

PART NO.	BODY (µ-in MIN)	CONTACT (µ-in MIN)	SNAP RING (µ-in MIN)	CAP (µ-in MIN)	CRIMP TUBE (µ-in MIN)
PLATING (GOLD OVER NICKEL)					

RELEASE STATUS P1 RELEASE DATE 13.09.2017 12:16:18

THIS DRAWING CONTAINS INFORMATION THAT IS PROPRIETARY TO MOLEX ELECTRONIC TECHNOLOGIES, LLC AND SHOULD NOT BE USED WITHOUT WRITTEN PERMISSION

SEE ECM EC NO: 120304 DRWN: BBHARADWAJD CHKD: BBHARADWAJD REV: APPR: AROBERTSON	GENERAL TOLERANCES (UNLESS SPECIFIED)		DIMENSION UNITS	SCALE		
		MM	INCH	mm		
	4 PLACES	±	±	DRWN BY		DATE
	3 PLACES	±	± 0.01	BOMALLEY		2011/12/13
	2 PLACES	± 0.25	±	CHK'D BY		DATE
1 PLACES	±	±	SSS	2011/12/13		
0 PLACES	±	±	APPR BY	DATE		
			JWIENER	2011/12/14		
ANGULAR TOL = 2.0			DRAWING SIZE	THIRD ANGLE PROJECTION	<b>MMCX PLUG RA</b> 50 OHM FOR 1.13/1.32 CAB MMCX-PC/RA, EWR-11074  <b>PRODUCT CUSTOMER DRAWING</b>	
DRAFT WHERE APPLICABLE MUST REMAIN WITHIN DIMENSIONS			<b>C</b>			
B4	REV				SERIES: 73415 MATERIAL NUMBER: SEE TABLE CUSTOMER:	
			DOCUMENT NUMBER	DOC TYPE	DOC PART	SHEET NUMBER
			SD-73415-226	PSD	001	1 OF 1