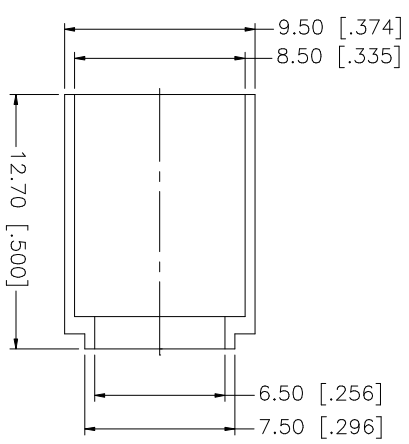
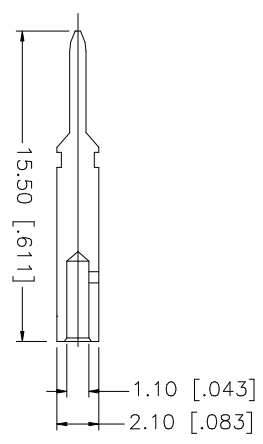
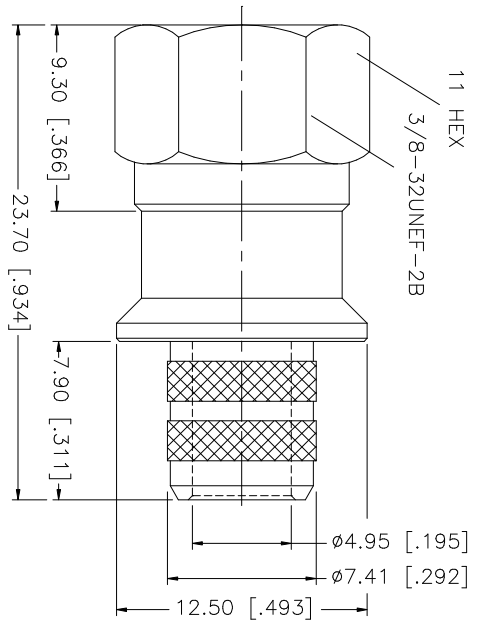
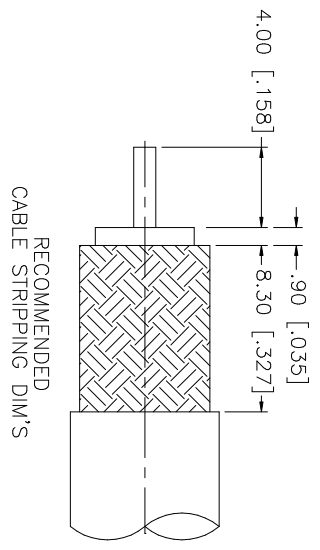


REV.	DATE	DESCRIPTION
NC	04/14/04	INITIAL RELEASE



CRIMP NOTES:

1. CRIMPED FERRULE
HEX CRIMP SIZE .324"
2. CRIMPED CONTACT PIN
HEX CRIMP SIZE .068"

NO.	DESCRIPTION	MATERIAL	FINISH	QTY	UNLESS OTHERWISE SPECIFIED DIMENSIONS ARE IN INCHES AND FOR CUSTOMER REFERENCE ONLY. DIMENSIONS OF PARTS ARE IN MILLIMETERS TOLERANCES FOR MILLIMETERS ARE: 0.5 - 8mm ± 0.20mm 8 - 30mm ± 0.40mm 30 - 120mm ± 0.50mm UNLESS OTHERWISE SPECIFIED TOLERANCES FOR INCHES ARE: .020 - .315 = ± 0.007" .315 - 1.180 = ± 0.015" 1.180 - 4.724 = ± 0.020"	APPROVALS	DATE	PART DESCRIPTION		
8								<p style="text-align: center;">Amphenol Connex</p> <p style="text-align: center;">F CRIMP PLUG (FOR BELDEN 1695A CABLE)</p> <p style="text-align: center;">222171</p>		
7										
6										
5										
4	FERRULE	BRASS	NICKEL	1						
3	CONTACT PIN	BRASS	GOLD	1						
2	INSULATOR	DELRIN	NATURAL	1						
1	BODY	BRASS	NICKEL	1						
	DESCRIPTION	MATERIAL	FINISH	QTY	DO NOT SCALE DRAWING	CAD FILE C:/222/222171.DWG	DWG. NO. 222171.DWG	REV. NC	SIZE A	SCALE NA