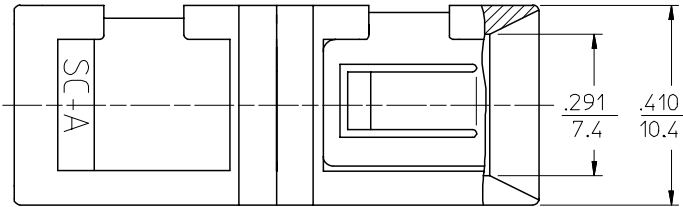
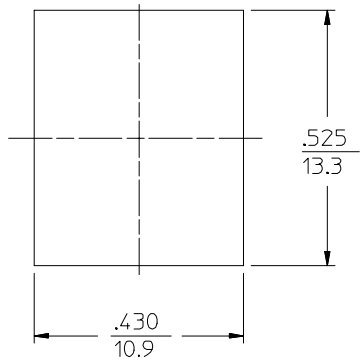
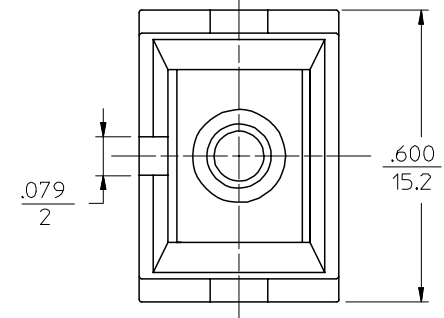
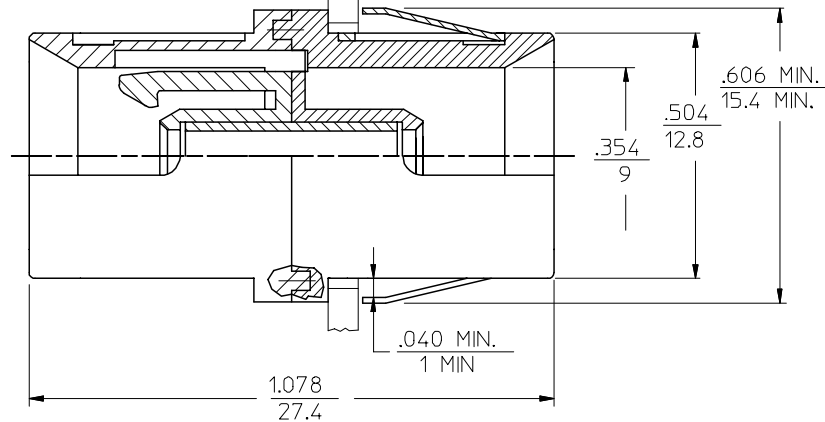


P/N OF ADAPTER	MATERIAL OF SPLIT SLEEVE	COLOR OF ADAPTER SHELL
86170-0000	ZR	BLACK
86171-0000	PHOSPHOR BRONZE	GREEN
86170-0020	ZR	
86171-0020	PHOSPHOR BRONZE	RED
86170-0030	ZR	
86171-0030	PHOSPHOR BRONZE	BLUE
86170-0050	ZR	



.077
2

PANEL PLATE
THICKNESS: .063 (1.6 mm)



RECOMMENDED MOUNTING HOLE

NOTE:
DUST CAPS ARE NOT SHOWN.

ENTER DESCRIPTION EC NO: MF2006-0722 DRWN:KPEVZNER CHKD: APPR:IGUMIN	QUALITY SYMBOLS ▽=0 ▽=0	GENERAL TOLERANCES (UNLESS SPECIFIED)		DIMENSION STYLE IN/MM		SCALE 4:1	DESIGN UNITS INCH	THIRD ANGLE PROJECTION
		mm	INCH	DRAWN BY KPEVZNER	DATE 2006/05/03	TITLE BSC BACK PANEL ADAPTER		
		4 PLACES ± ---	± ---	CHECKED BY	DATE			
		3 PLACES ± ---	± ---	APPROVED BY IGUMIN		DATE 2006/05/03	MOLEX INCORPORATED	
2 PLACES ± ---	± ---	MATERIAL NO. SEE TABLE		DOCUMENT NO. SD-106170-0YYY		SHEET NO. 1 OF 1		
1 PLACE ± ---	± ---	DRAFT WHERE APPLICABLE MUST REMAIN WITHIN DIMENSIONS		SIZE B		THIS DRAWING CONTAINS INFORMATION THAT IS PROPRIETARY TO MOLEX INCORPORATED AND SHOULD NOT BE USED WITHOUT WRITTEN PERMISSION		
ANGULAR ±1/2°								