

Single direction synchronous geared motors

→ 0.5 Nm 3 Watts

- Mechanical strength : 0.5 Nm
- Constant speed, dependent on supply frequency
- Wide range of speeds available
- Direction of rotation controlled by long-life mechanical anti-return device
- Permanent magnet rotor



Specifications

		3 Watts	3 Watts	3 Watts	3 Watts
Type		82 344 0	82 344 0	82 344 0	82 344 0
Voltage / Frequency		115 V 60 Hz	115 V 60 Hz	220 V 60 Hz	220 V 60 Hz
Direction of rotation		Counter-clockwise	Clockwise	Counter-clockwise	Clockwise
Output speed	Ratios (i)				
72 rpm	10	82 344 0A20072MB ●	82 344 0A10072MB ●	82 344 0J20072MB ●	82 344 0J10072MB ●
60 rpm	12	82 344 0A20060MB ●	82 344 0A10060MB ●	82 344 0J20060MB ●	82 344 0J10060MB ●
48 rpm	20	82 344 0A20048MB ●	82 344 0A10048MB ●	82 344 0J20048MB ●	82 344 0J10048MB ●
24 rpm	30	82 344 0A20024MB ●	82 344 0A10024MB ●	82 344 0J20024MB ●	82 344 0J10024MB ●
18 rpm	40	82 344 0A20018MB ●	82 344 0A10018MB ●	82 344 0J20018MB ●	82 344 0J10018MB ●
15 rpm	48	82 344 0A20015MB ●	82 344 0A10015MB ●	82 344 0J20015MB ●	82 344 0J10015MB ●
14.4 rpm	50	82 344 0A214.4MB ●	82 344 0A114.4MB ●	82 344 0J214.4MB ●	82 344 0J114.4MB ●
12 rpm	60	82 344 0A20012MB ●	82 344 0A10012MB ●	82 344 0J20012MB ●	82 344 0J10012MB ●
9 rpm	80	82 344 0A20009MB ●	82 344 0A10009MB ●	82 344 0J20009MB ●	82 344 0J10009MB ●
7.2 rpm	100	82 344 0A207.2MB ●	82 344 0A107.2MB ●	82 344 0J207.2MB ●	82 344 0J107.2MB ●
6 rpm	120	82 344 0A20006MB ●	82 344 0A10006MB ●	82 344 0J20006MB ●	82 344 0J10006MB ●
4.8 rpm	150	82 344 0A204.8MB ●	82 344 0A104.8MB ●	82 344 0J204.8MB ●	82 344 0J104.8MB ●
3.6 rpm	200	82 344 0A203.6MB ●	82 344 0A103.6MB ●	82 344 0J203.6MB ●	82 344 0J103.6MB ●
3 rpm	240	82 344 0A20003MB ●	82 344 0A10003MB ●	82 344 0J20003MB ●	82 344 0J10003MB ●
2.4 rpm	300	82 344 0A202.4MB ●	82 344 0A102.4MB ●	82 344 0J202.4MB ●	82 344 0J102.4MB ●
1.2 rpm	600	82 344 0A201.2MB ●	82 344 0A101.2MB ●	82 344 0J201.2MB ●	82 344 0J101.2MB ●
0.80 rpm	750	82 344 0A200.8MB ●	82 344 0A100.8MB ●	82 344 0J200.8MB ●	82 344 0J100.8MB ●
0.60 rpm	1200	82 344 0A200.6MB ●	82 344 0A100.6MB ●	82 344 0J200.6MB ●	82 344 0J100.6MB ●
0.40 rpm	1800	82 344 0A200.4MB ●	82 344 0A100.4MB ●	82 344 0J200.4MB ●	82 344 0J100.4MB ●
0.30 rpm	2400	82 344 0A200.3MB ●	82 344 0A100.3MB ●	82 344 0J200.3MB ●	82 344 0J100.3MB ●
0.24 rpm	3000	82 344 0A20.24MB ●	82 344 0A10.24MB ●	82 344 0J20.24MB ●	82 344 0J10.24MB ●
0.12 rpm	6000	82 344 0A20.12HB ●	82 344 0A10.12HB ●	82 344 0J20.12HB ●	82 344 0J10.12HB ●
6.00 rph	7200	82 344 0A20006HB ●	82 344 0A10006HB ●	82 344 0J20006HB ●	82 344 0J10006HB ●
4.80 rph	9000	82 344 0A204.8HB ●	82 344 0A104.8HB ●	82 344 0J204.8HB ●	82 344 0J104.8HB ●
3.60 rph	12000	82 344 0A203.6HB ●	82 344 0A103.6HB ●	82 344 0J203.6HB ●	82 344 0J103.6HB ●
3.00 rph	14400	82 344 0A20003HB ●	82 344 0A10003HB ●	82 344 0J20003HB ●	82 344 0J10003HB ●
1.20 rph	36000	82 344 0A201.2HB ●	82 344 0A101.2HB ●	82 344 0J201.2HB ●	82 344 0J101.2HB ●
0.60 rph	72000	82 344 0A200.6HB ●	82 344 0A100.6HB ●	82 344 0J200.6HB ●	82 344 0J100.6HB ●
1/10 rph	432000	82 344 0A200.1HB ●	82 344 0A100.1HB ●	82 344 0J200.1HB ●	82 344 0J100.1HB ●
1/240 rph	864000	82 344 0A20.05HB ●	82 344 0A10.05HB ●	82 344 0J20.05HB ●	82 344 0J10.05HB ●
General characteristics					
Motor		82 340 0	82 340 0	82 340 0	82 340 0
Gearbox		81 021 0	81 021 0	81 021 0	81 021 0
Maximum permitted torque from gearmotor under continuous conditions for 1 millions turns of the gearmotor Nm		0.5	0.5	0.5	0.5
Axial load (static) daN		1	1	1	1
Radial load (static) daN		8	8	8	8
Absorbed power (W)		3	3	3	3
Motor output (W)		0.16	0.16	0.16	0.16
Maximum temperature rise (°C)		55	55	55	55
Ambient temperature (°C)		-5 → +60	-5 → +60	-5 → +60	-5 → +60
Weight (g)		160	160	160	160
Wires length mm (approximately)		250	250	250	250
Protection rating		IP40	IP40	IP40	IP40

Products and specifications subject to change without notice.

Order/Technical Support - Tel: (800) 677-5311 / FAX: (800) 677-3865 / www.crouzet-usa.com

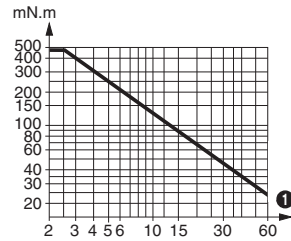
Products adaptations, available on request



- Special supply voltages
- Special lead lengths
- Special connectors
- Special output shafts
- Special gearbox ratios
- Special gear material
- Special output bearings
- Special mounting plate

Curves

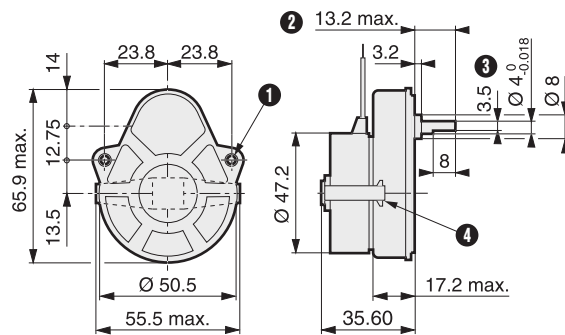
Graph of torque versus speed 82 344 0



B RPM

Dimensions

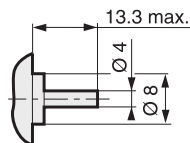
82 344 0



- B 2 fixing holes Ø 3.2
- C (pushed-in shaft)
- D 3.5 across flat
- E Fixing clip

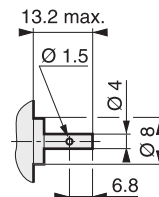
Options

Shaft 79 200 967



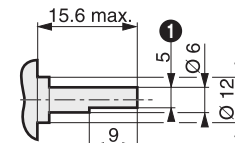
B (pushed-in shaft ←)

Shaft 79 200 779



B (pushed-in shaft ←)

Shaft 70 999 421 SP1295-10



B Across flat

Other information

The speed of a motor powered by a 60 Hz supply is 20 % higher than that of a motor powered by a 50 Hz supply.

Products and specifications subject to change without notice.

Order/Technical Support - Tel: (800) 677-5311 / FAX: (800) 677-3865 / www.crouzet-usa.com