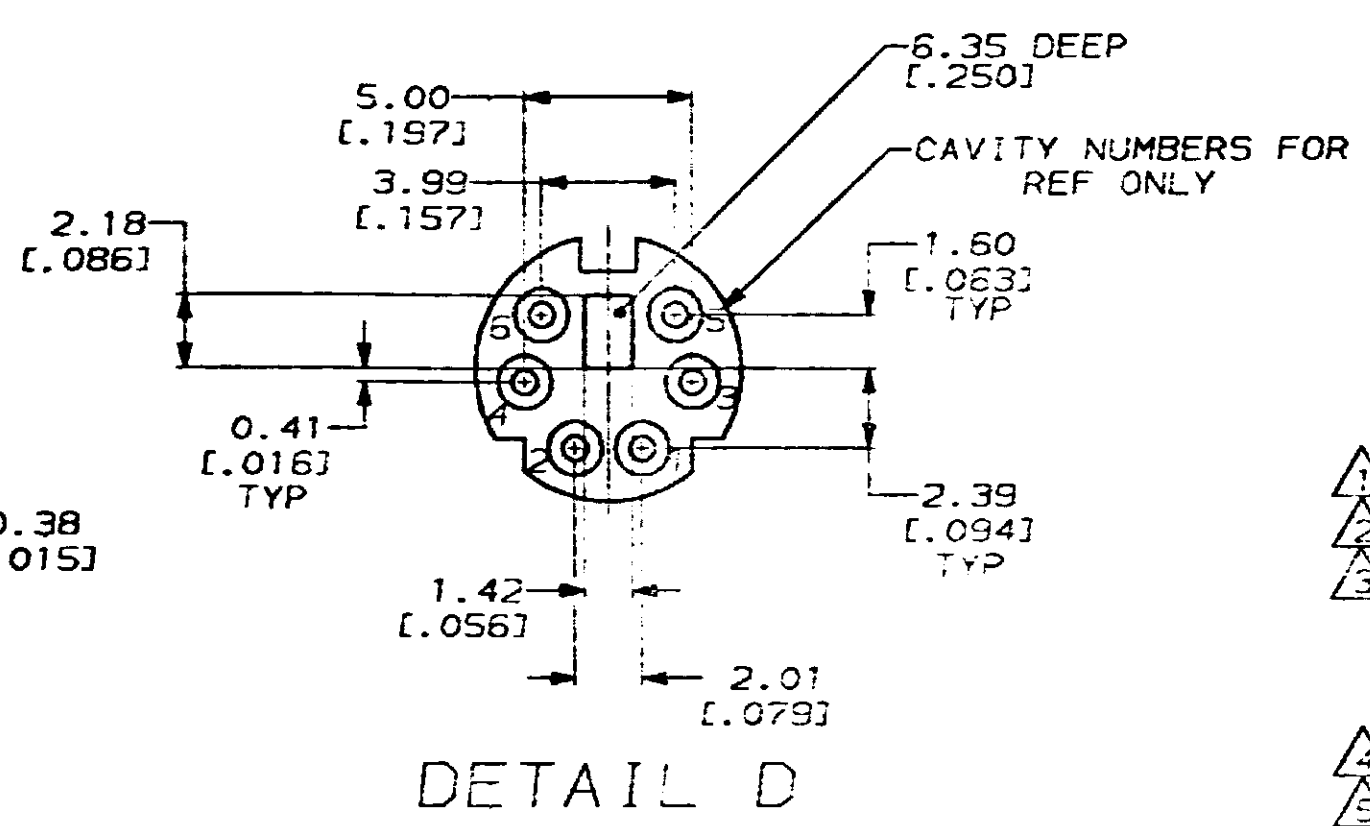
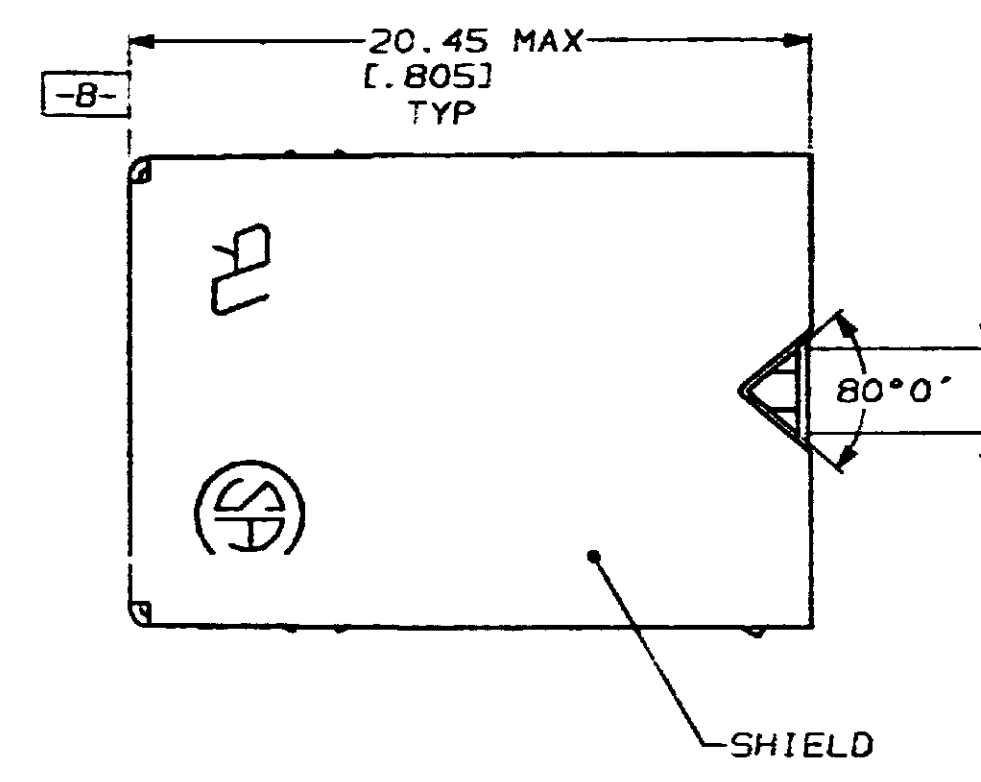
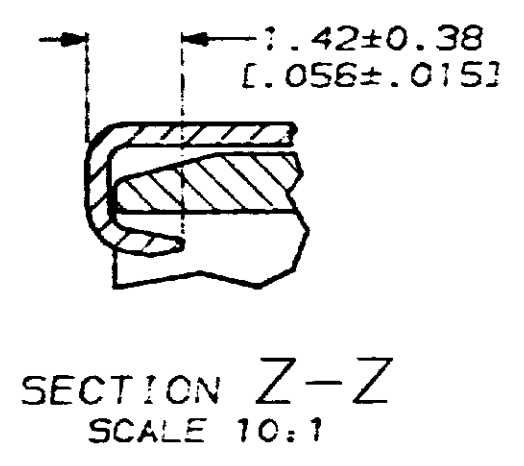
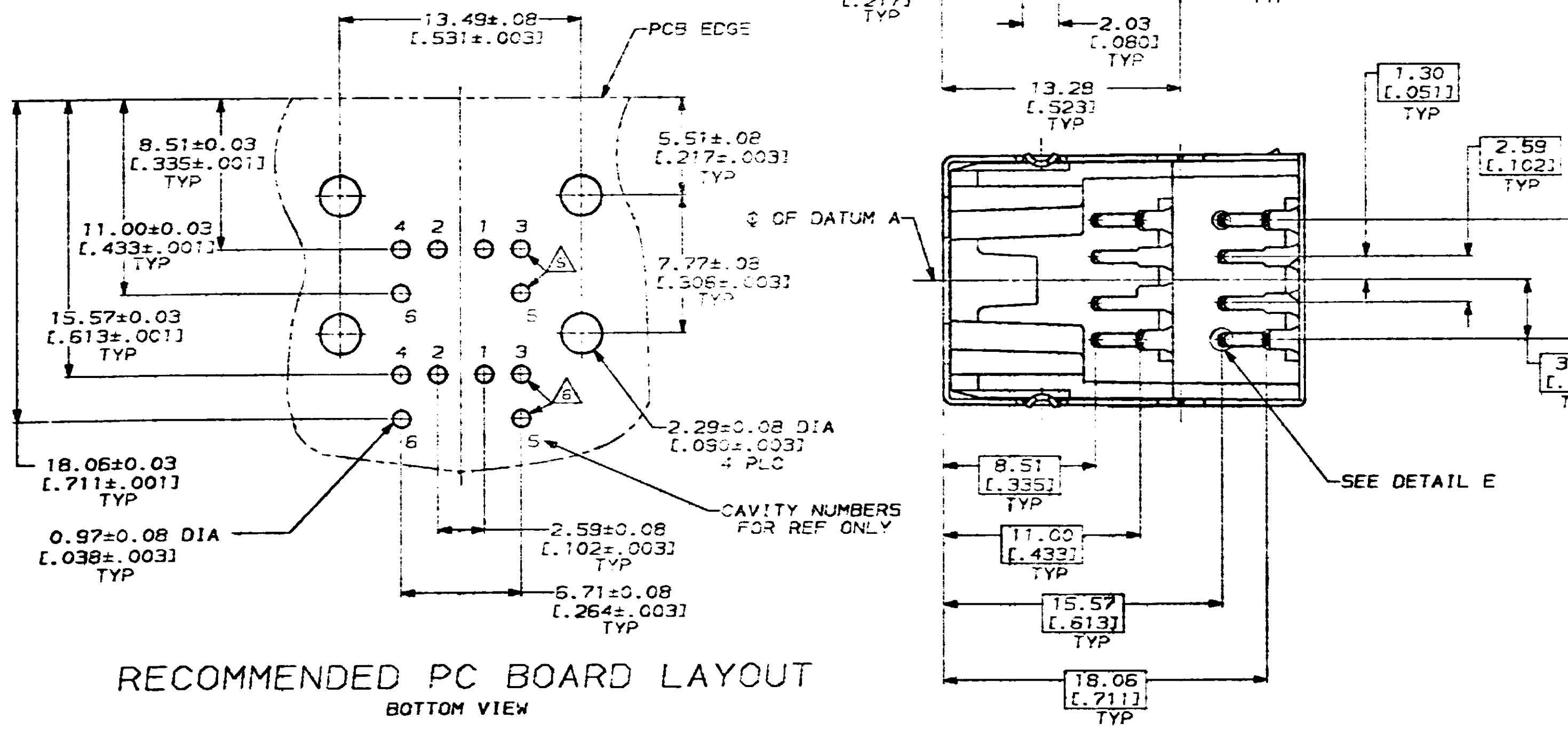
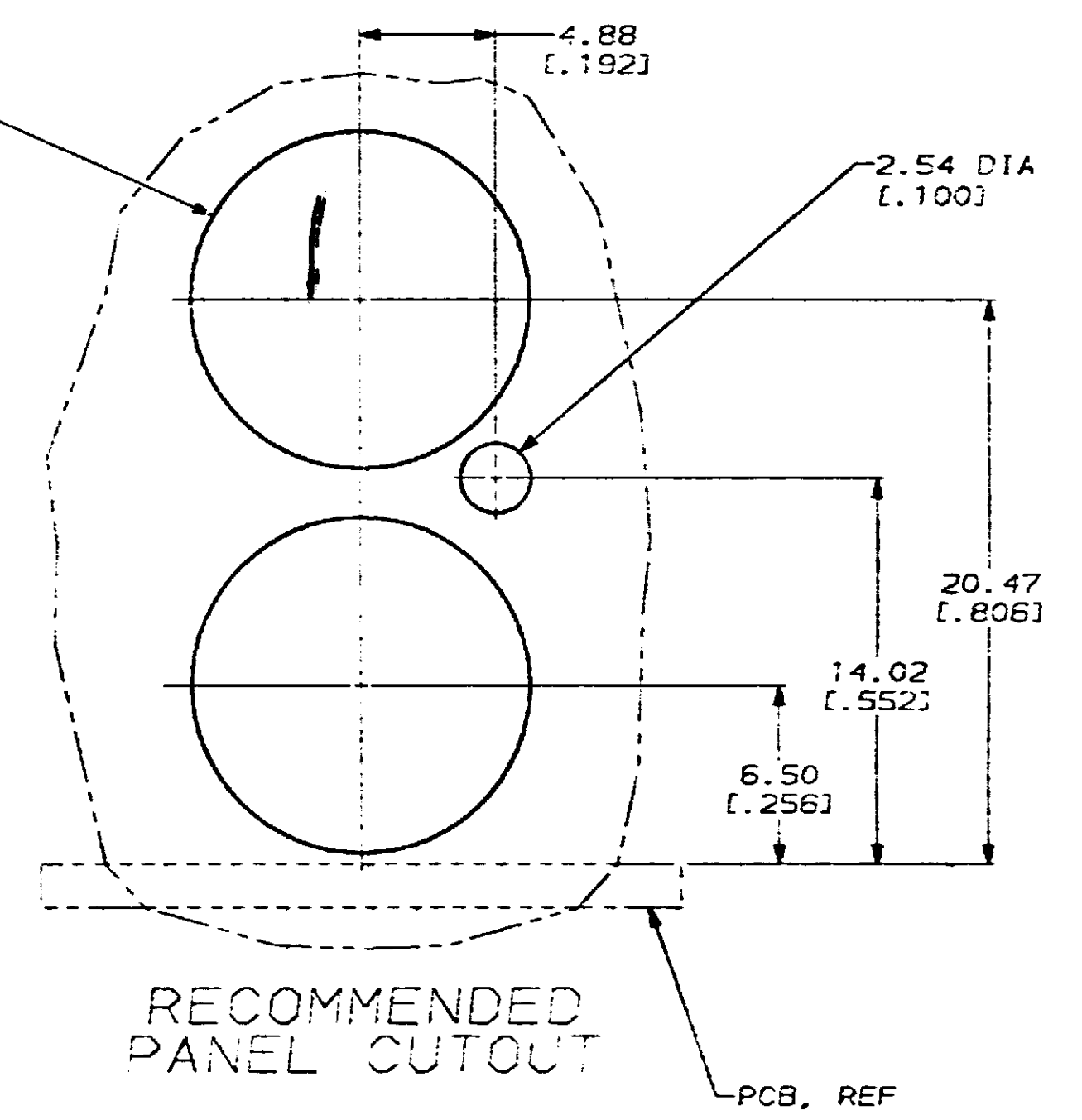
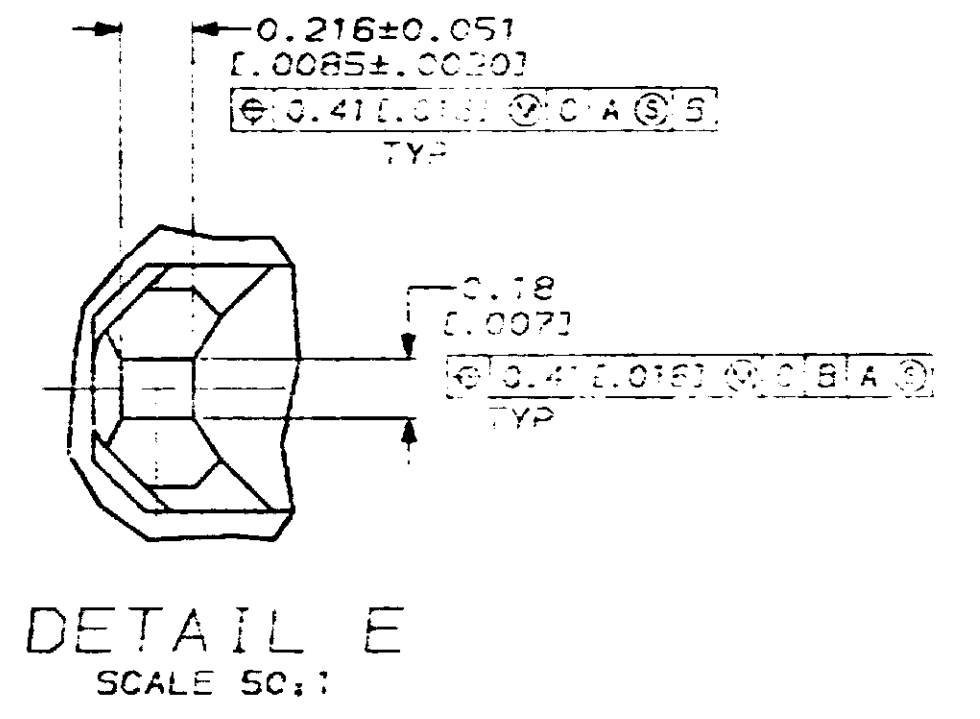
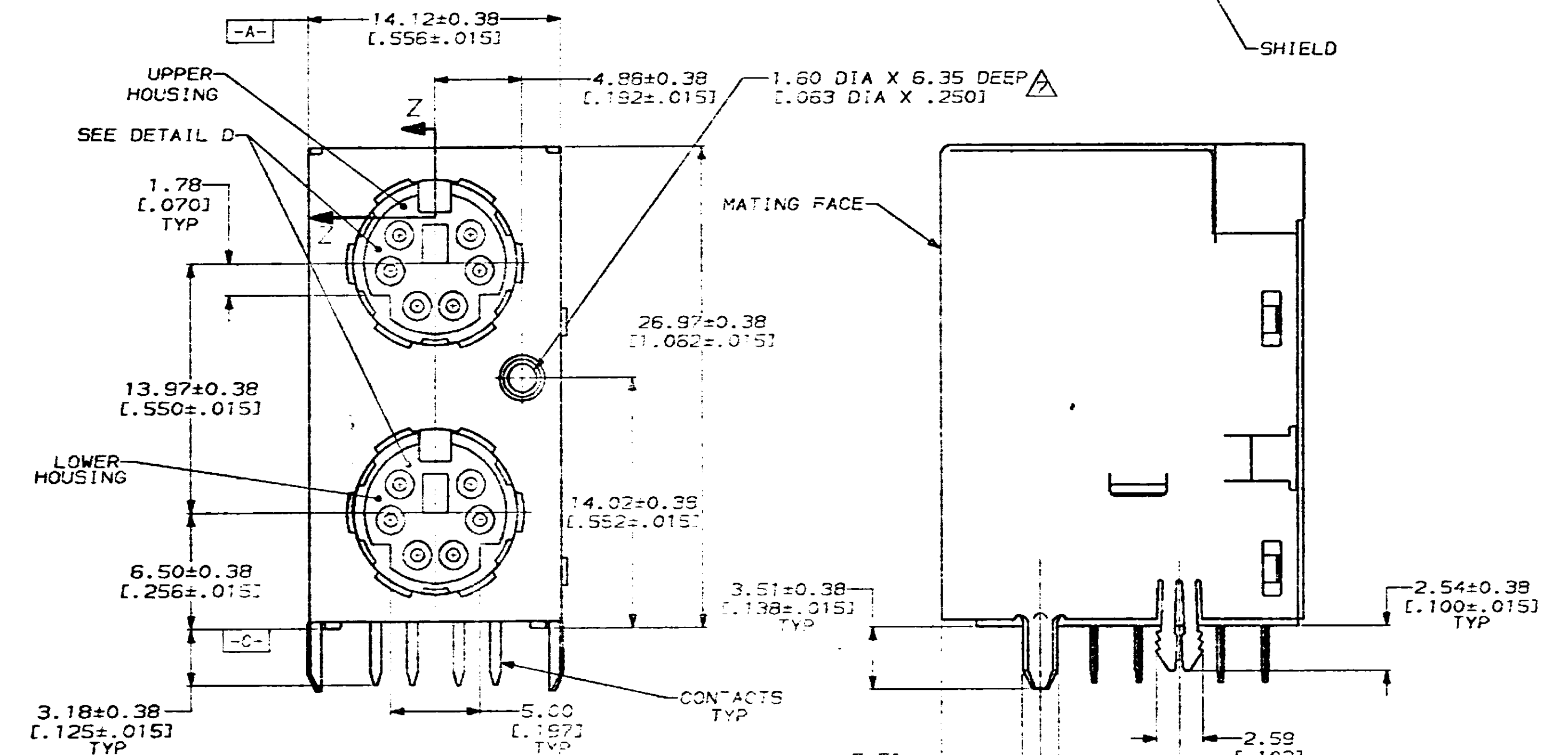


REV. NO.		ZONE		LTR		DESCRIPTION		DATE	APPRO
BD	26						0 RLSE PER NPR 4401 WAS 92-2906-2	10-29-92	



- △ PHOSPHOR BRONZE.
- △ POLYESTER, UL 94V-0 RATED, BLACK.
- △ 0.76µm [0.000030] MIN GOLD FOR A LENGTH OF 1.52 [0.060] MIN ON INSIDE FROM MATING END, 3.05µm [0.00120] MIN TIN-LEAD FOR A LENGTH OF 3.56 [0.140] MIN FROM OPPOSITE END, BOTH OVER 1.27µm [0.000050] MIN NICKEL.
- △ 3.54µm [0.000100] MIN TIN.
- △ CAVITY NUMBERS CORRESPONDS TO LOWER HOUSING.
- △ CAVITY NUMBERS CORRESPONDS TO UPPER HOUSING.
- △ ACCEPTS A #2 X 6.35 [0.250] SELF-TAPPING SCREW.



THIS DRAWING IS A CONTROLLED DOCUMENT FOR AMP INCORPORATED. IF IS SUBJECT TO CHANGE AND THE CONTROLLING ENGINEERING ORGANIZATION SHOULD BE CONTACTED FOR THE LATEST REVISION.

DO NOT SCALE PRINT. UNLESS SPECIFIED DIMENSIONS IN mm (INCHES) TO BE ROUNDED UP TO PLACES SHOWN. ALL DIMENSIONS ARE TO UNLESS OTHERWISE SPECIFIED. ANGLES = 0°30'		DR 10-28-92 M MOLL	AMP Incorporated Harrisburg, PA 17105-3608	786580-1 PART NO	
MATERIAL SHIELD & CONTACTS: △ HOUSING: △		CHK 11-9-92 R STONE		NAME RECEPTACLE ASSEMBLY, 6 POSN OVER 6 POSN, RIGHT ANGLE, STACKABLE, MINIATURE CIRCULAR DIN	SIZE D 00779
FINISH CONTACTS: △ SHIELD: △		APPRO 11-12-92 R WHYNE	PRODUCT SPEC 108-1225	APPLICATION SPEC -	SCALE 5:1
		WEIGHT -		SHEET 1 OF 1	

CUSTOMER DRAWING