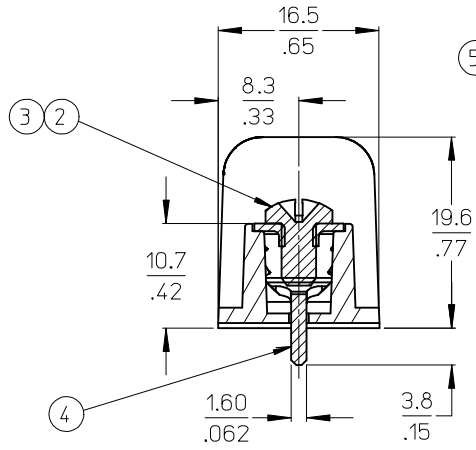
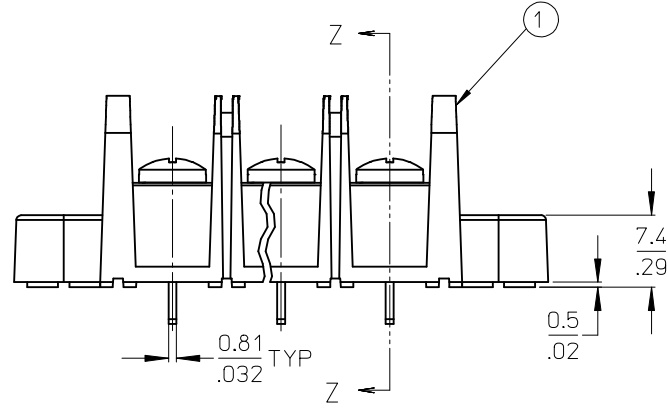
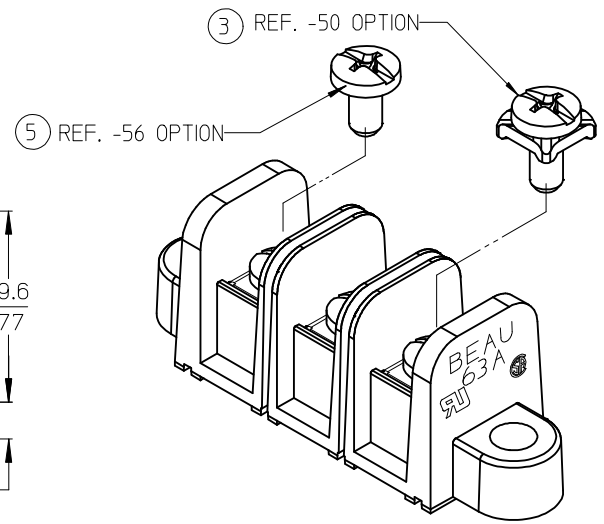


RECOMMENDED PLATED THRU HOLE PATTERN



SECTION Z-Z



- NOTES:
1. MATERIAL: SEE TABLE
 2. FINISHES: SEE TABLE
 3. *XX* REFERS TO QTY. OF CIRCUITS.
 4. ASSEMBLY IS ROHS COMPLIANT.

| ITEM | QTY. | DESCRIPTION | MATERIAL | FINISH |
|------|------|---|-----------------|--------------------|
| 5 | XX | SCREW #6-32X.250 BHD, PH-SL STAINLESS (-56 OPT) | STAINLESS STL | PASSIVATE |
| 4 | XX | TERMINAL, PC (SHORT) | BRASS | TIN PLATE |
| 3 | XX | SCREW/WSHR #6-32X.250 PAN, PH-SL (-50) | STEEL | ZN, CLEAR CHROMATE |
| 2 | XX | SCREW #6-32X.250 BHD, PH-SL (STD) | STEEL | ZN, CLEAR CHROMATE |
| 1 | 1 | BARRIER TERMINAL STRIP | POLYESTER (PBT) | BLACK |

CHG SS SCREW DRIVE RECESS
 EC NO: IPG2013-0364
 DRAWN: CLYORK 2010/08/16
 CHKD: JMACNEIL 2012/09/12
 APPR: JMACNEIL 2012/11/05

QUALITY SYMBOLS
 ▽=0
 ▽=0

| | GENERAL TOLERANCES (UNLESS SPECIFIED) | |
|--------------|---------------------------------------|---------|
| | mm | INCH |
| 4 PLACES | ± .005 | ± .0005 |
| 3 PLACES | ± .013 | ± .001 |
| 2 PLACES | ± .03 | ± .003 |
| 1 PLACE | ± .075 | ± .003 |
| ANGULAR ± 2° | | |

DIMENSION STYLE: MM/IN
 SCALE: 2:1
 DESIGN UNITS: INCH
 THIRD ANGLE PROJECTION
 DRAWN BY: R. STONE
 DATE: 2003/03/25
 CHECKED BY: R. KEMP
 DATE: 2003/03/27
 APPROVED BY: P. WALTZ
 DATE: 2003/03/28
 MATERIAL NO.:
 SEE CHART

TITLE: 11.13/.438" PCB BTS 600V MTG ENDS, STD LENGTH (63A5XX)
 MOLEX INCORPORATED
 DOCUMENT NO.: SD-38630-007
 SHEET NO.: 1 OF 2
 THIS DRAWING CONTAINS INFORMATION THAT IS PROPRIETARY TO MOLEX INCORPORATED AND SHOULD NOT BE USED WITHOUT WRITTEN PERMISSION

| MATERIAL NUMBER (STD.) | MATERIAL NUMBER (-56) | MATERIAL NUMBER (-50) | NO. OF CIRCUITS | A | B | C | D |
|------------------------|-----------------------|-----------------------|-----------------|--------------|----------------|--------------|--------------|
| 386306402 | 386390093 | 386307602 | 2 | 43.4 (1.71) | 11.13 (4.38) | 25.9 (1.02) | 33.3 (1.31) |
| 386306403 | 386390094 | 386307603 | 3 | 54.6 (2.15) | 22.22 (8.75) | 37.1 (1.46) | 44.5 (1.75) |
| 386306404 | 386390095 | 386307604 | 4 | 65.7 (2.59) | 33.35 (1.313) | 48.3 (1.90) | 55.6 (2.19) |
| 386306405 | 386390096 | 386307605 | 5 | 76.7 (3.02) | 44.45 (1.750) | 59.2 (2.33) | 66.5 (2.62) |
| 386306406 | 386390097 | 386307606 | 6 | 87.9 (3.46) | 55.57 (2.188) | 70.4 (2.77) | 77.7 (3.06) |
| 386306407 | 386390098 | 386307607 | 7 | 99.1 (3.90) | 66.67 (2.625) | 81.5 (3.21) | 88.9 (3.50) |
| 386306408 | 386390099 | 386307608 | 8 | 110.2 (4.34) | 77.80 (3.063) | 92.7 (3.65) | 100.0 (3.94) |
| 386306409 | 386390100 | 386307609 | 9 | 121.2 (4.77) | 88.90 (3.500) | 103.6 (4.08) | 111.0 (4.37) |
| 386306410 | 386390101 | 386307610 | 10 | 132.3 (5.21) | 100.03 (3.938) | 114.8 (4.52) | 122.2 (4.81) |
| 386306411 | 386390102 | 386307611 | 11 | 143.5 (5.65) | 111.13 (4.375) | 125.9 (4.96) | 133.4 (5.25) |
| 386306412 | 386390103 | 386307612 | 12 | 154.7 (6.09) | 122.25 (4.813) | 137.2 (5.40) | 144.5 (5.69) |
| 386306413 | 386390104 | 386307613 | 13 | 165.6 (6.52) | 133.35 (5.250) | 148.1 (5.83) | 155.4 (6.12) |
| 386306414 | | 386307614 | 14 | 176.8 (6.96) | 144.45 (5.687) | 159.3 (6.27) | 166.6 (6.56) |
| 386306415 | | 386307615 | 15 | 188.0 (7.40) | 155.58 (6.125) | 170.4 (6.71) | 177.8 (7.00) |
| 386306416 | | 386307616 | 16 | 199.1 (7.84) | 166.70 (6.563) | 181.6 (7.15) | 189.0 (7.44) |

| | | | | | | | | |
|--|-------------------------------|---|--|---------------------------------------|---|------------------------------|------------------------|--|
| SEE SHEET ONE EC NO: WNA2009-0085 DRAWN: ENC INAS 2008/11/25 CHKD: CYORK 2008/12/15 APPR: JMACNE IL 2008/12/15 | QUALITY SYMBOLS ▽=0 ▽=0 | GENERAL TOLERANCES (UNLESS SPECIFIED) | | DIMENSION STYLE MM/IN | SCALE 2:1 | DESIGN UNITS INCH | THIRD ANGLE PROJECTION | |
| | | 4 PLACES ± --- ± --- 3 PLACES ± --- ± .005 2 PLACES ± 0.13 ± .01 1 PLACE ± 0.3 ± --- | mm INCH | DRAWN BY DATE R. STONE 2003/03/25 | TITLE 11.13/.438" PCB BTS 600V MTG ENDS, STD LENGTH (63A5XX) | | | |
| | | ANGULAR ± 2 ° | DRAFT WHERE APPLICABLE MUST REMAIN WITHIN DIMENSIONS | CHECKED BY DATE R. KEMP 2003/03/27 | APPROVED BY DATE P. WALTZ 2003/03/28 | | | |
| | | MATERIAL NO. | SIZE B | SEE CHART | MOLEX INCORPORATED | DOCUMENT NO. SD-38630-007 | SHEET NO. 2 OF 2 | |