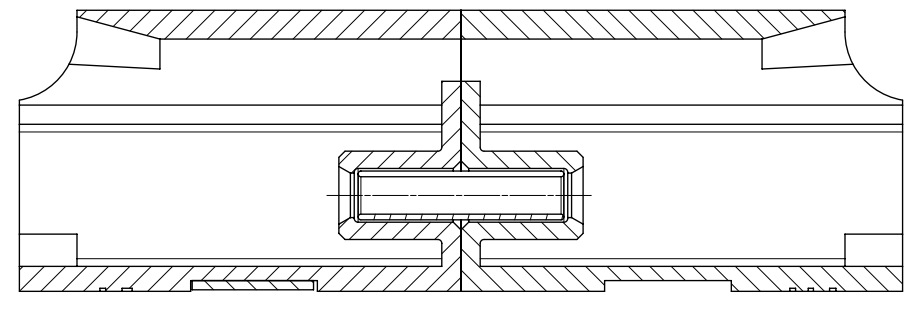
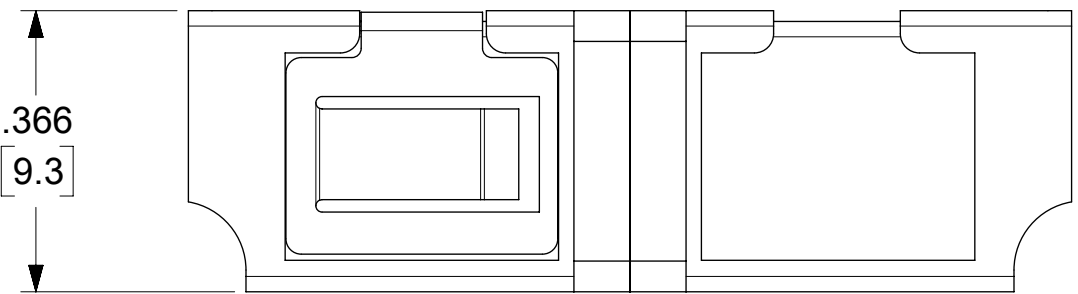
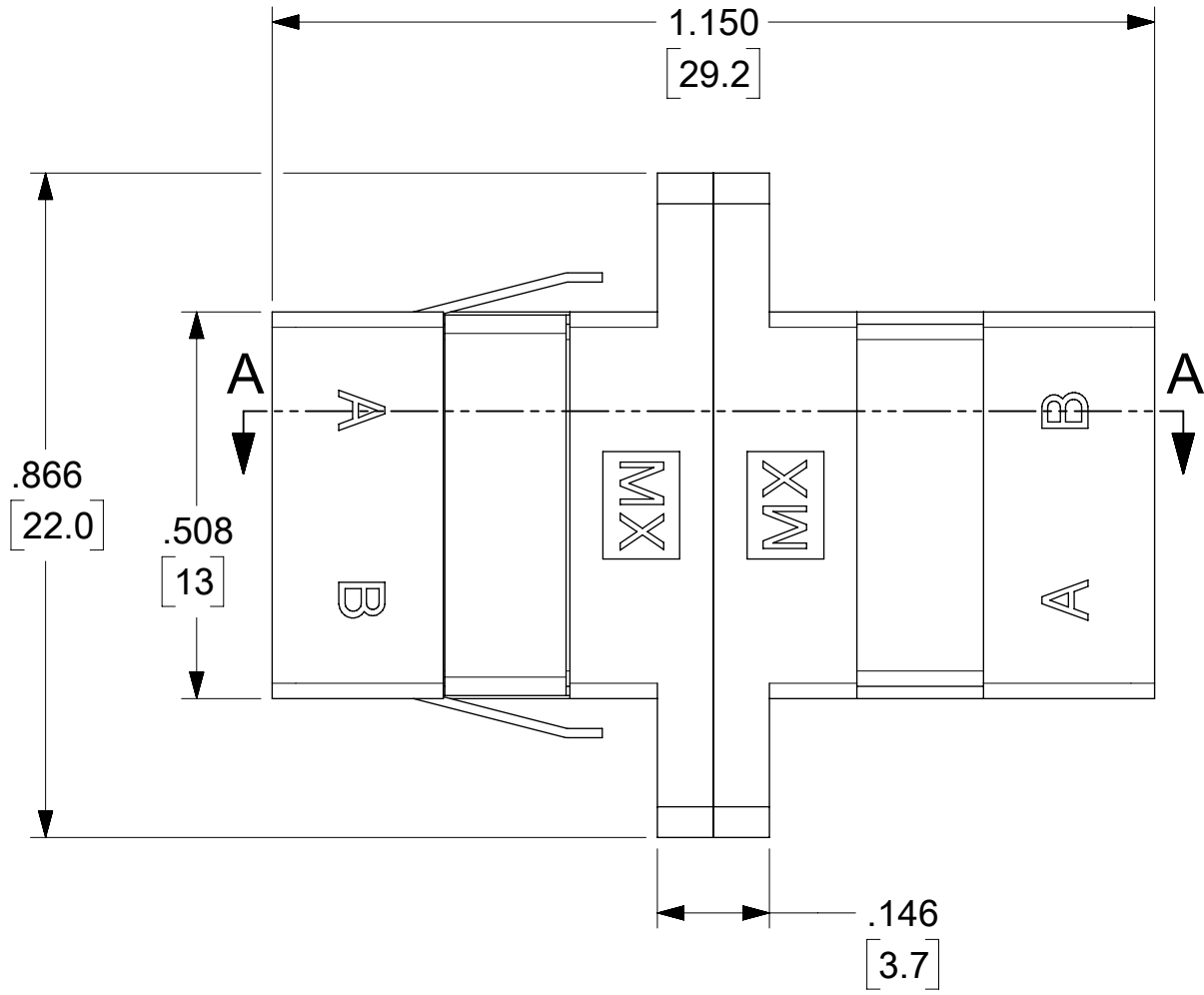
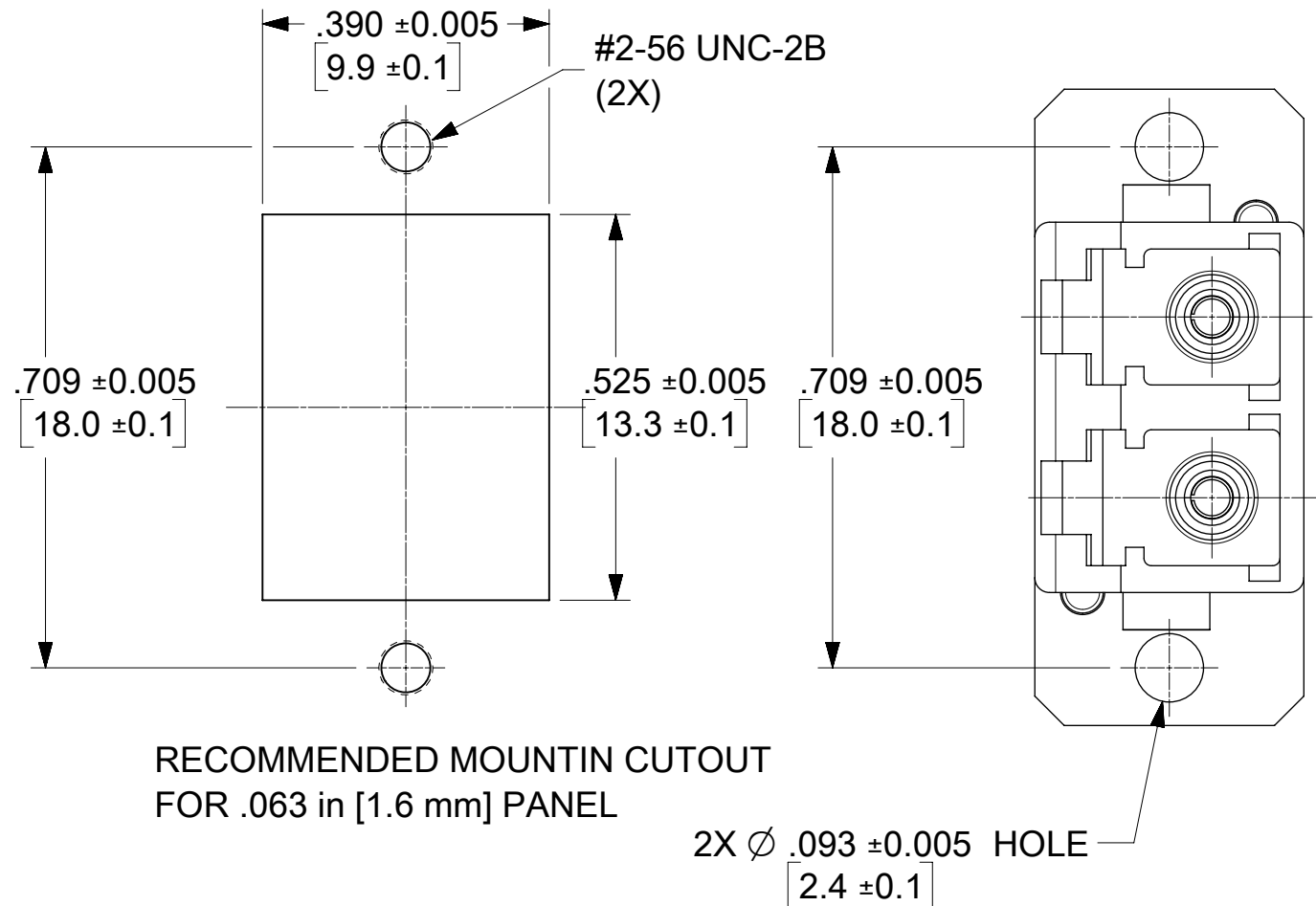
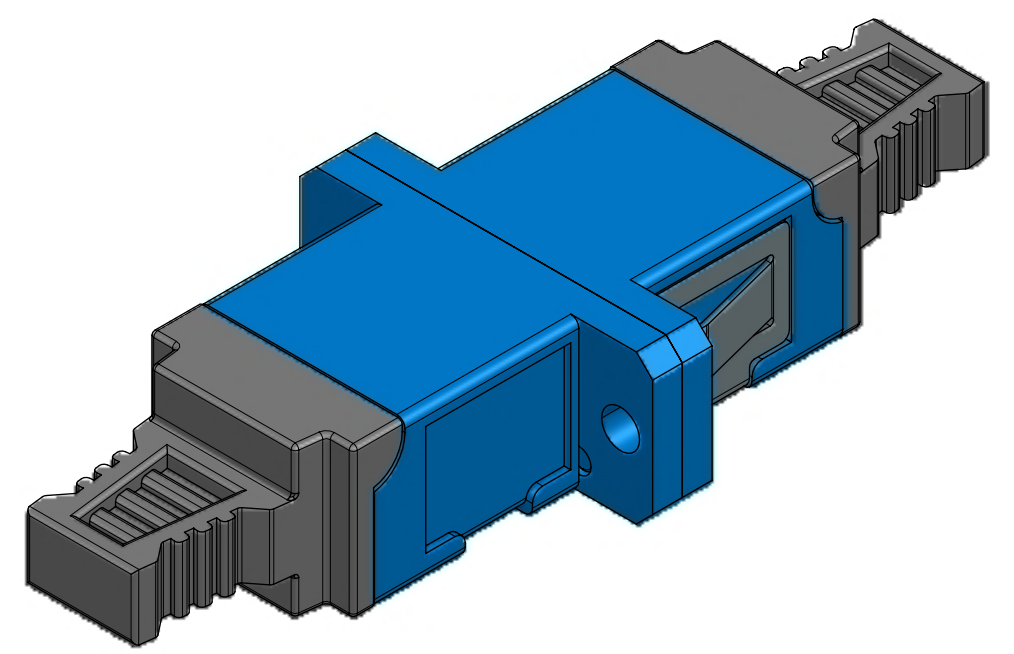
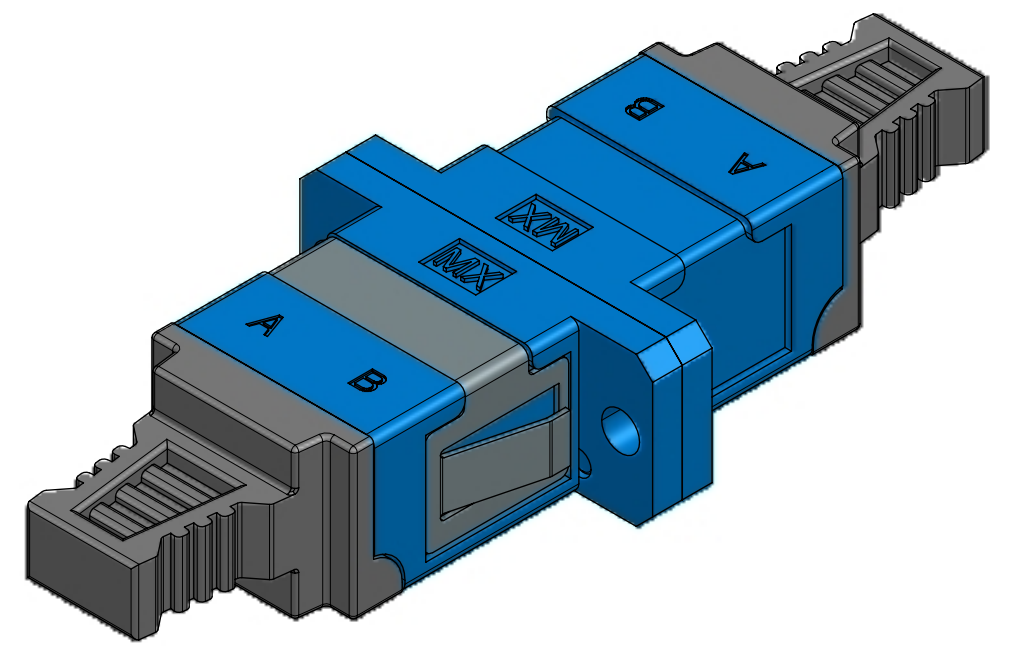


LC ADAPTER P/N	ADAPTER COLOR	LC SLEEVE MATERIAL
1061261300	BLUE	ZR
1061261310 (see note 3)		
1061260310	BEIGE	
1061260320 (see note 3)		
1061261350	GREEN	
1061261320 (see note 3)		
1061261330	BEIGE	
1061261340	BLACK	



SECTION A-A



- NOTES:
1. ALL DIMENSIONS WITHOUT TOLERANCE ARE FOR REFERENCE ONLY.
 2. DUST CAPS ARE SHOWN IN ISOMETRIC VIEWS ONLY.
 3. P/NS 1061260320 & 1061261310 ARE BULK PACKED IN QUANTITIES OF 100 pcs.
P/N 1061261320 IS BULK PACKED IN QUANTITY OF 25pcs.

FUNCTIONAL SYMBOLS $\nabla_A = 0$ $\nabla_C = 0$ $\nabla_P = 0$ DIVISIONAL SYMBOLS 4 PLACES ± 3 PLACES ± 0.005 2 PLACES ± 1 PLACE ± 0 PLACES ±	THIS DRAWING CONTAINS INFORMATION THAT IS PROPRIETARY TO MOLEX ELECTRONIC TECHNOLOGIES, LLC AND SHOULD NOT BE USED WITHOUT WRITTEN PERMISSION		CURRENT REV DESC:		 LC DUPLEX ADAPTER (STANDARD FLANGE/ SC FOOTPRINT)
	DIMENSION UNITS	SCALE	EC NO: 652962		
	INCH/MM	4:1	DRWN: SKRISHNAMU01	2021/05/31	
	GENERAL TOLERANCES (UNLESS SPECIFIED)		CHK'D: WCHEN	2021/08/24	
ANGULAR TOL ± °		APPR: WCHEN	2021/08/24	PRODUCT CUSTOMER DRAWING	
DRAFT WHERE APPLICABLE MUST REMAIN WITHIN DIMENSIONS		THIRD ANGLE PROJECTION	DRAWING	SERIES	DOCUMENT NUMBER
			C-SIZE	106126	SD-106126-X3X0
					DOC TYPE
					PSD
					DOC PART
					001
					REVISION
					B
					SHEET NUMBER
					1 OF 1