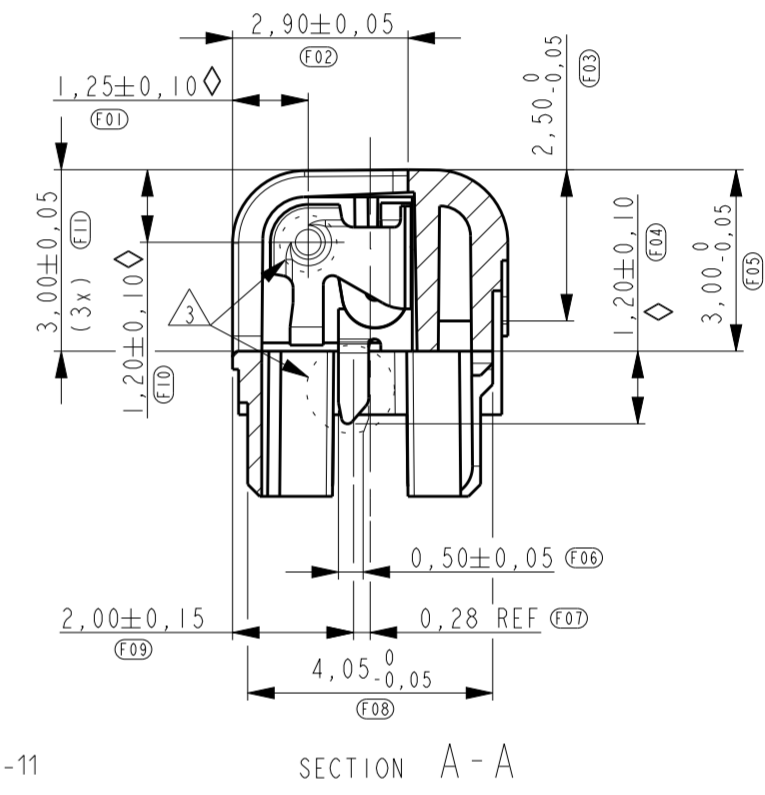
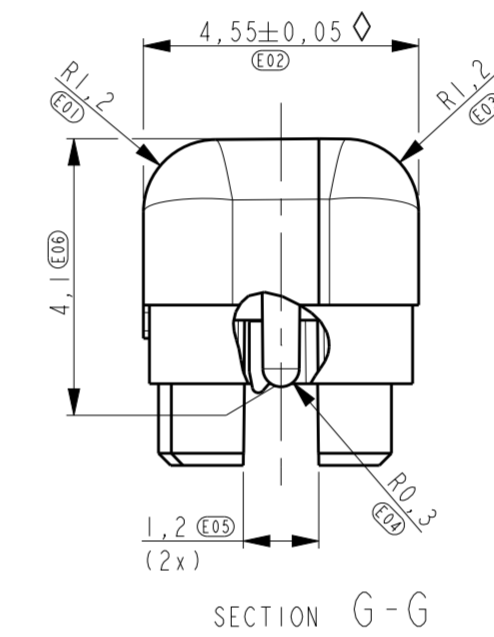
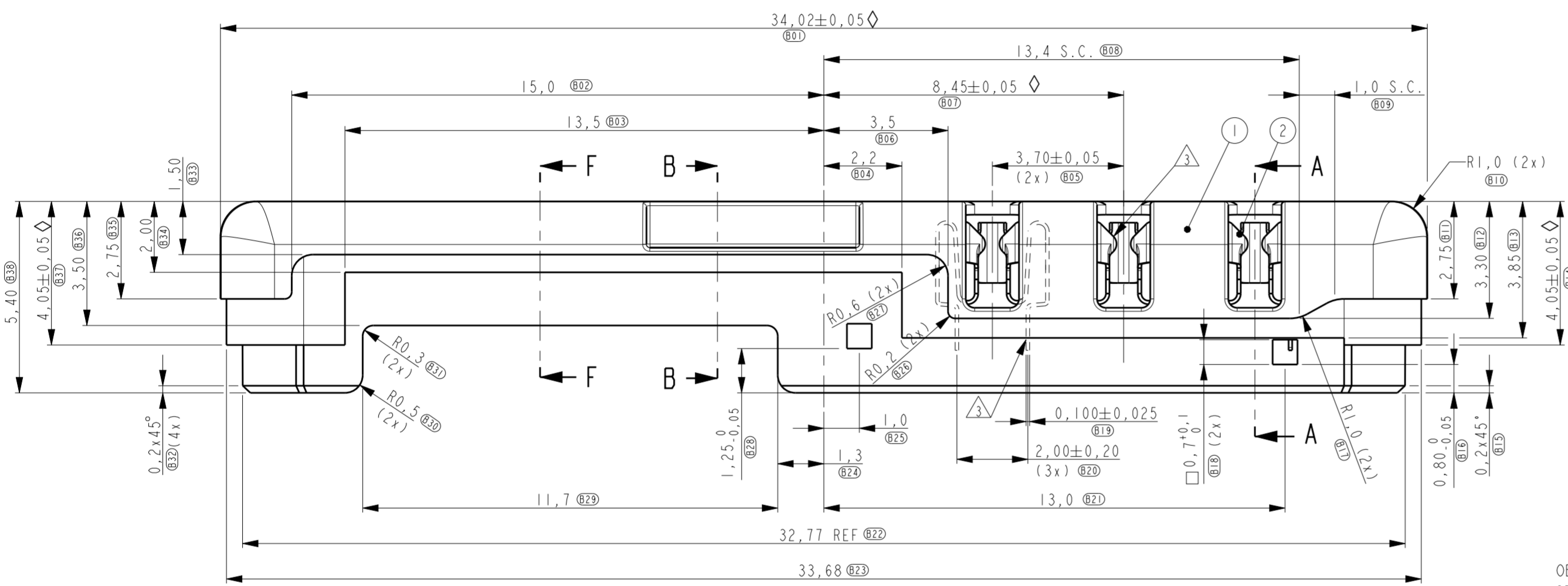
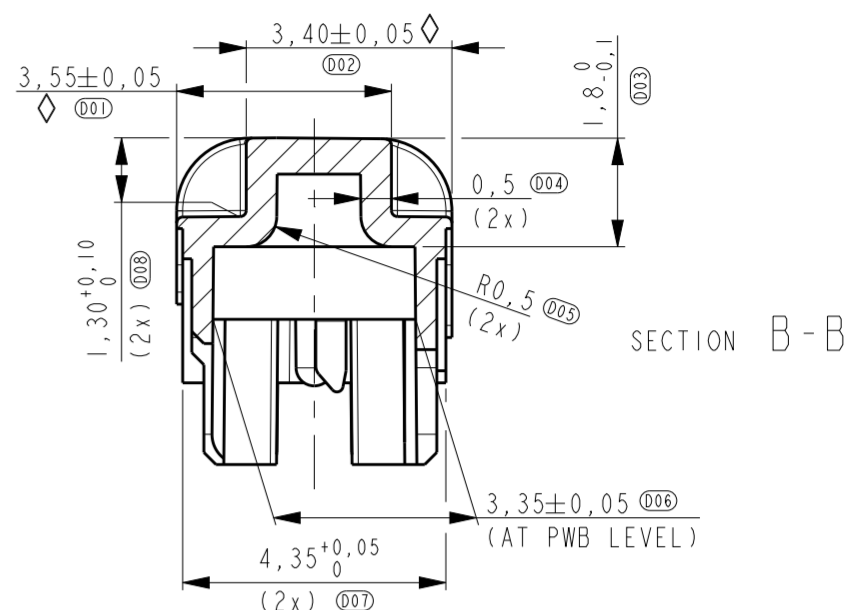
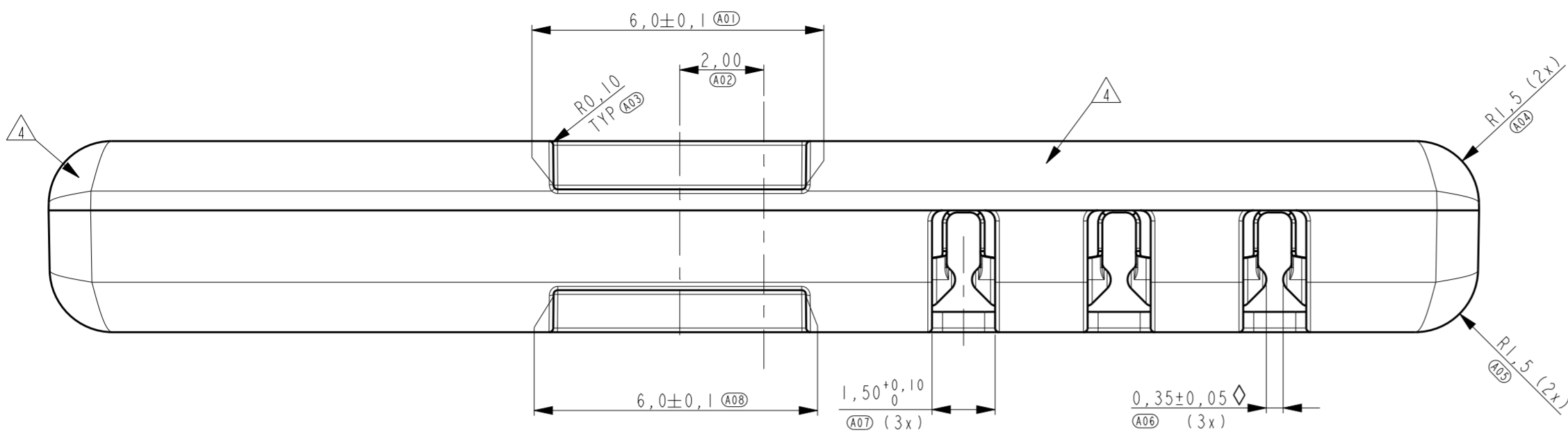
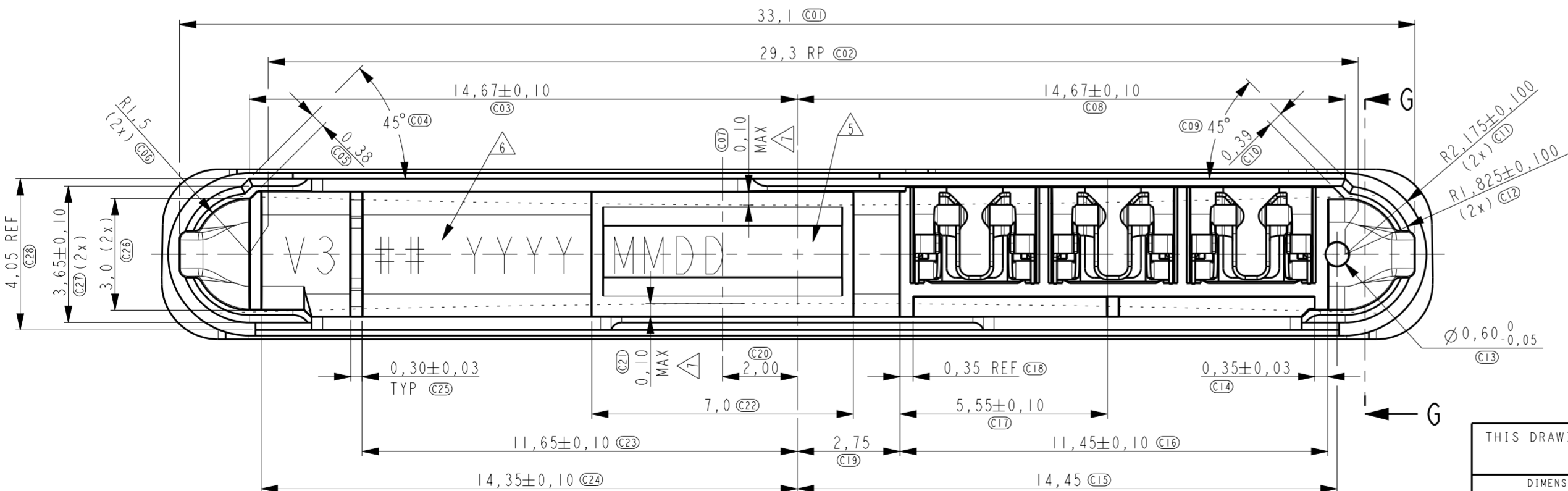
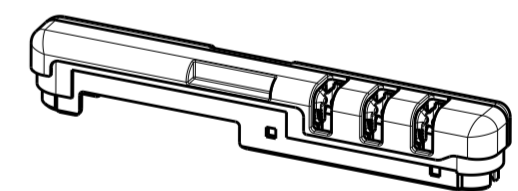


THIS DRAWING IS UNPUBLISHED.
 RELEASED FOR PUBLICATION
 COPYRIGHT - BY - ALL RIGHTS RESERVED.

REVISIONS					
P	LTR	DESCRIPTION	DATE	DWN	APVD
B		ECR-17-000970	09MAR2017	A.Z	H.L



- NOTES:
- 1 TE PN. 2042078-1 --- SONY PN. 1-822-014-11
 - 2 OBSOLETE TE PN. 2042078-2 --- SONY PN. 1-822-014-21
 - 3 OBSOLETE TE PN. 2042078-3 --- SONY PN. 1-822-014-31
 - 4 TE PN. 2042078-4 --- SONY PN. 1-822-014-41
 - 5 DRAWING REPRESENTS PART VERSION "V3".
 - 6 PLATING:
 - 1.2 μm MIN. NICKEL ALL OVER
 - 0.8 μm MIN. GOLD ON CONTACT POINTS
 - 3.0 μm MIN. TIN ON SOLDER AREA
 - 7 SURFACE TEXTURE Ra 1.9 μm (TOOL TEXTURE SPARK ERODED ACCORDING TO VDI 3400-24/27) COLOUR: BLACK (PANTONE 3U2X).
 - 8 MARKING: MOLD CAVITY IDENTIFICATION.
 - 9 MARKING: VERSION (V3), PROCESS ID (##), PRODUCTION DATE (YYYYMMDD).
 - 10 MAXIMUM WARPAGE, INWARD ONLY.



VIEW P

ITEM NO.	DESCRIPTION	MATERIAL	FINISH
2	CONTACT	COPPER ALLOY	GOLD PLATED
1	HOUSING	PP (PG4N1) 20%GF	

THIS DRAWING IS A CONTROLLED DOCUMENT.

DWN: 11 JAN 2008
 S. Zwartkruis
 CHK: 14 JAN 2008
 P. Willems
 APVD: 14 JAN 2008
 D. Halberstadt

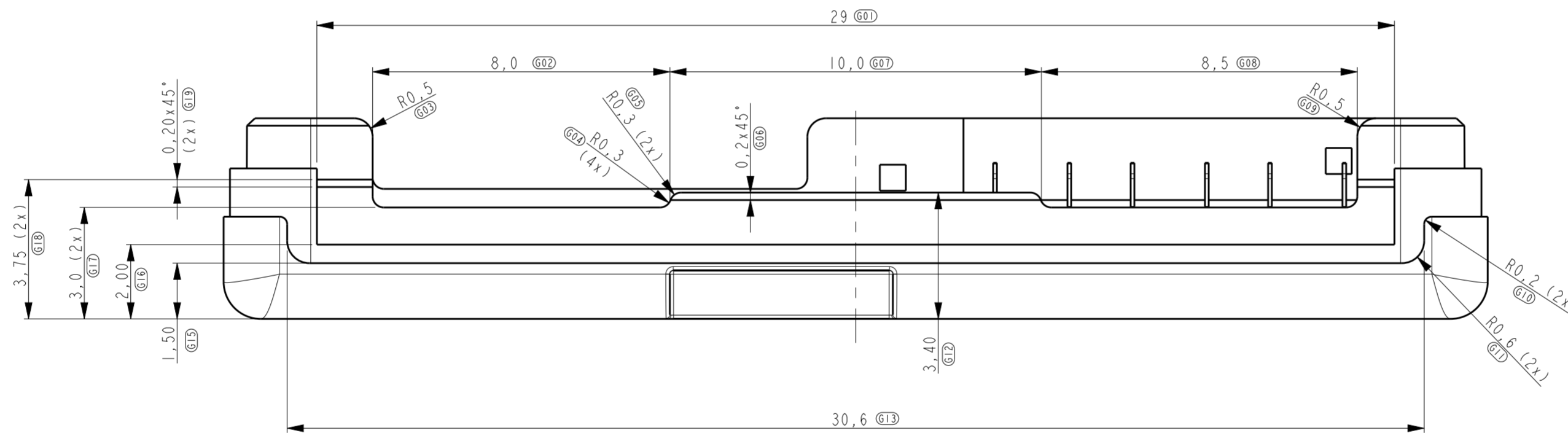
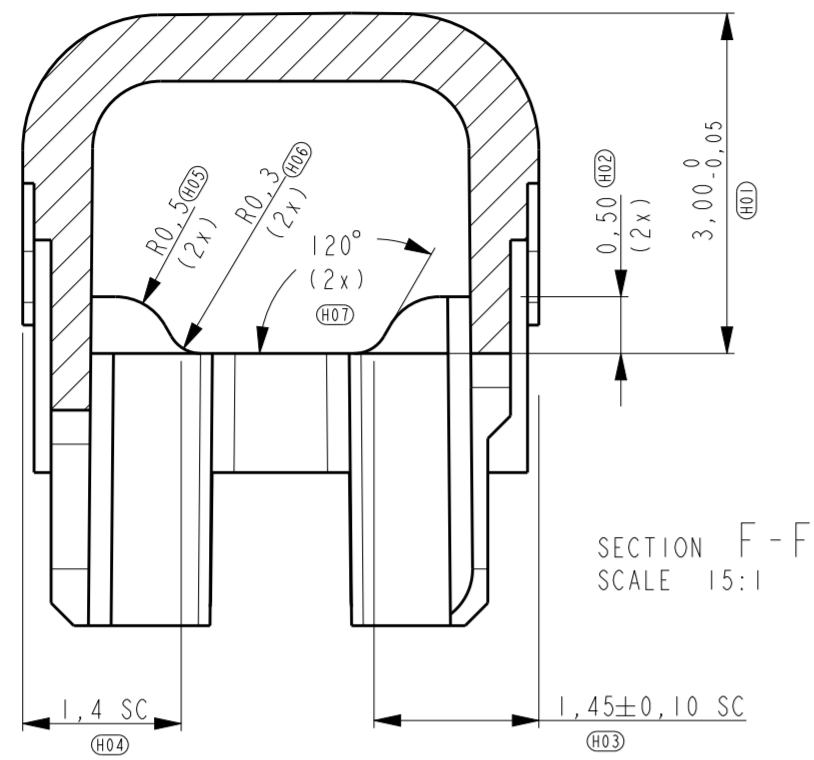
PRODUCT SPEC: 108-19276
 APPLICATION SPEC: 114-19088
 WEIGHT: 275 mg
 CUSTOMER DRAWING

TE Connectivity
RECEPTACLE CONNECTOR
3 POSITION, BL-4CT
BATTERY BLOCK

SIZE: A2
 CAGE CODE: -
 DRAWING NO: C-2042078
 RESTRICTED TO: -
 SCALE: 8:1
 SHEET: 1 OF 2
 REV: B

THIS DRAWING IS UNPUBLISHED. RELEASED FOR PUBLICATION
 © COPYRIGHT - BY - ALL RIGHTS RESERVED.

REVISIONS				
P	LTR	DESCRIPTION	DATE	APVD
-	-	SEE SHEET 1	-	-



VIEW P

THIS DRAWING IS A CONTROLLED DOCUMENT.		DWN 11 JAN 2008 S. Zwartkruis	 TE Connectivity
DIMENSIONS: mm		CHK 14 JAN 2008 P. Willems	
TOLERANCES UNLESS OTHERWISE SPECIFIED:		APVD 14 JAN 2008 D. Halberstadt	NAME RECEPTACLE CONNECTOR 3 POSITION, BL-4CT BATTERY BLOCK
0 PLC ±0,2 1 PLC ±0,1 2 PLC ±0,05 3 PLC ± 4 PLC ± ANGLES ± FINISH		PRODUCT SPEC 108-19276	SIZE CAGE CODE DRAWING NO RESTRICTED TO
MATERIAL See Table material_2		APPLICATION SPEC 114-19088	WEIGHT 275 mg
FINISH See Table finish_spec_2		CUSTOMER DRAWING	SCALE 8:1 SHEET 2 OF 2 REV B