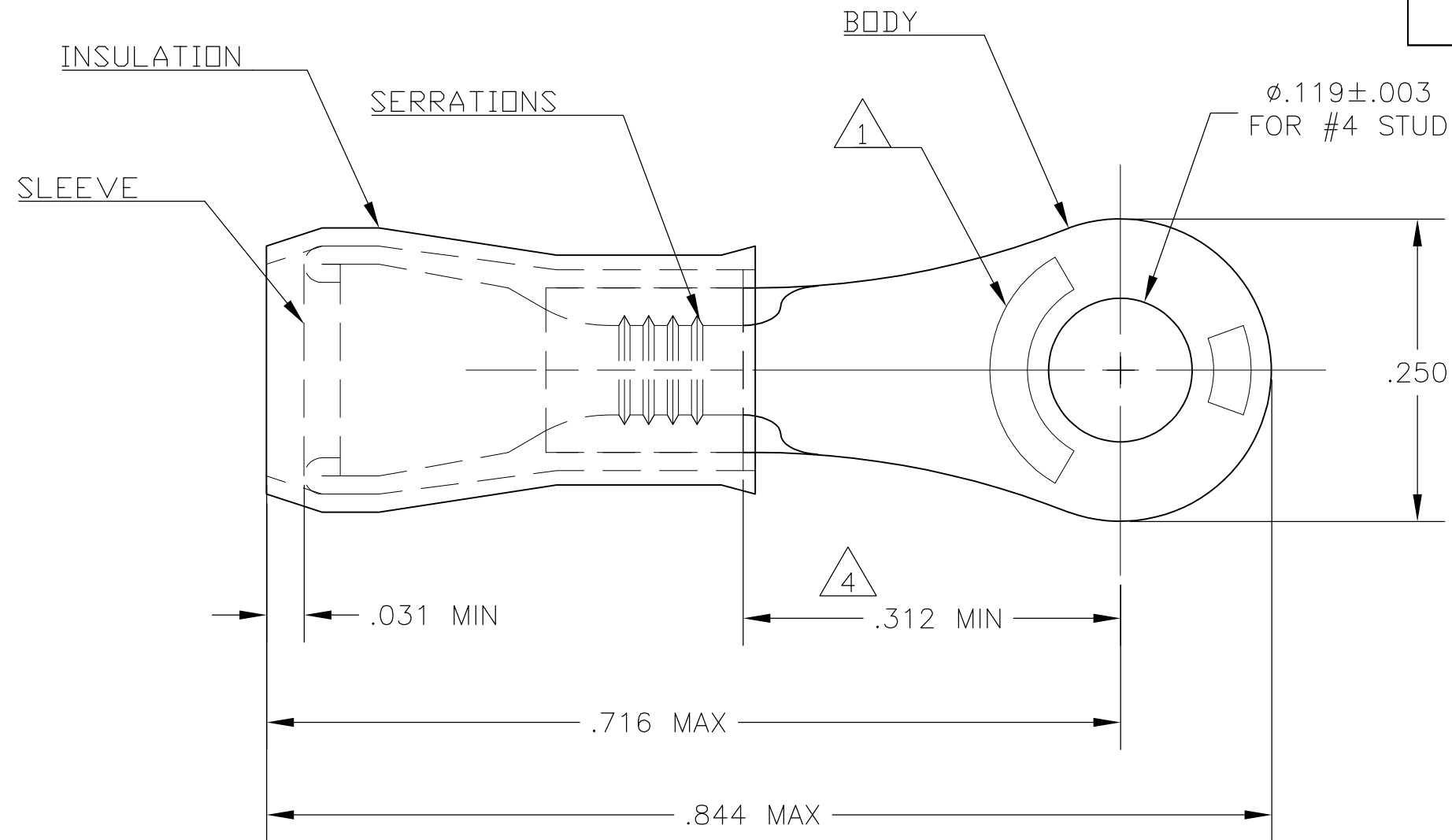


THIS DRAWING IS UNPUBLISHED. RELEASED FOR PUBLICATION
 © COPYRIGHT BY TYCO ELECTRONICS CORPORATION. ALL RIGHTS RESERVED.

LOC	DIST	REVISIONS					
G	14	P	LTR	DESCRIPTION	DATE	DWN	APVD
			F1	REDRAWN PER ECR 09-016745	28JUL09	JR	TM

AMP WIRE RANGE	Listed FILE E13288	LR7189 Certified
22-16 AWG SOLID OR STRANDED	22-16 AWG SOLID OR STRANDED	22-16 AWG SOLID OR STRANDED



- ① STAMP "AMP 22-18* 1-2" MARKING 22-18 FOR MILITARY COMMERCIAL RANGE 22-16
- 2 FOR .105-.140 WIRE INSULATION DIA
- 3 TONGUE MATL THK IS .031±.002
- ④ APPLIES FROM THE METAL EDGE OF THE BARREL TO THE CENTER OF THE STUD.

1	330648 ON TAPE	BODY & SLEEVE: COPPER PER ASTM B-152 TIN PL PER ASTM B-545 INSULATION: NYLON - RED (MIL-M-20693) TYPE I	2-330648-1
1	LOOSE PIECE		330648
QTY	PACKAGE TYPE	MATERIAL & FINISH	PART NO

AMP INCORPORATED CUSTOMER SERVICE SYSTEMS		MAX RECOMMENDED OPERATING TEMPERATURE: 105°C [221°F]
FOR ADDITIONAL PRODUCT INFORMATION OR COPIES OF DRAWINGS AND TECHNICAL DOCUMENTS	PRODUCT INFORMATION CENTER 1-800-522-6752	VOLTAGE RATING: 300V MAX
FOR APPLICATION TOOLING INFORMATION	TOOLING ASSISTANCE CENTER 1-800-722-1111	CIRCULAR MIL AREA: 0.26-1.65mm² [509-3260] SOLID OR STRANDED
FOR ORDER ENTRY	1-800-526-5142	THIS DRAWING IS A CONTROLLED DOCUMENT FOR AMP INCORPORATED. IT IS SUBJECT TO CHANGE AND THE CONTROLLING ENGINEERING ORGANIZATION SHOULD BE CONTACTED FOR THE LATEST REVISION.

THIS DRAWING IS A CONTROLLED DOCUMENT.	
DIMENSIONS: MM [INCHES]	TOLERANCES UNLESS OTHERWISE SPECIFIED:
	0 PLC ± - 1 PLC ± - 2 PLC ± - 3 PLC ± - 4 PLC ± - ANGLES ± 5'
MATERIAL	FINISH
-	-

DWN jr_ruth 24JUL09	Tyco Electronics Corporation Harrisburg, PA 17105-3608	
CHK TOM MICHIELUTTI 24JUL09	NAME RING TONGUE, PIDG, WIRE SIZE: 22-16	
APVD TOM MICHIELUTTI 24JUL09	SIZE A3	CAGE CODE 00779
PRODUCT SPEC	DRAWING NO G-330648	RESTRICTED TO
APPLICATION SPEC	SCALE 8:1	SHEET 1 OF 1
WEIGHT	CUSTOMER DRAWING	REV F1