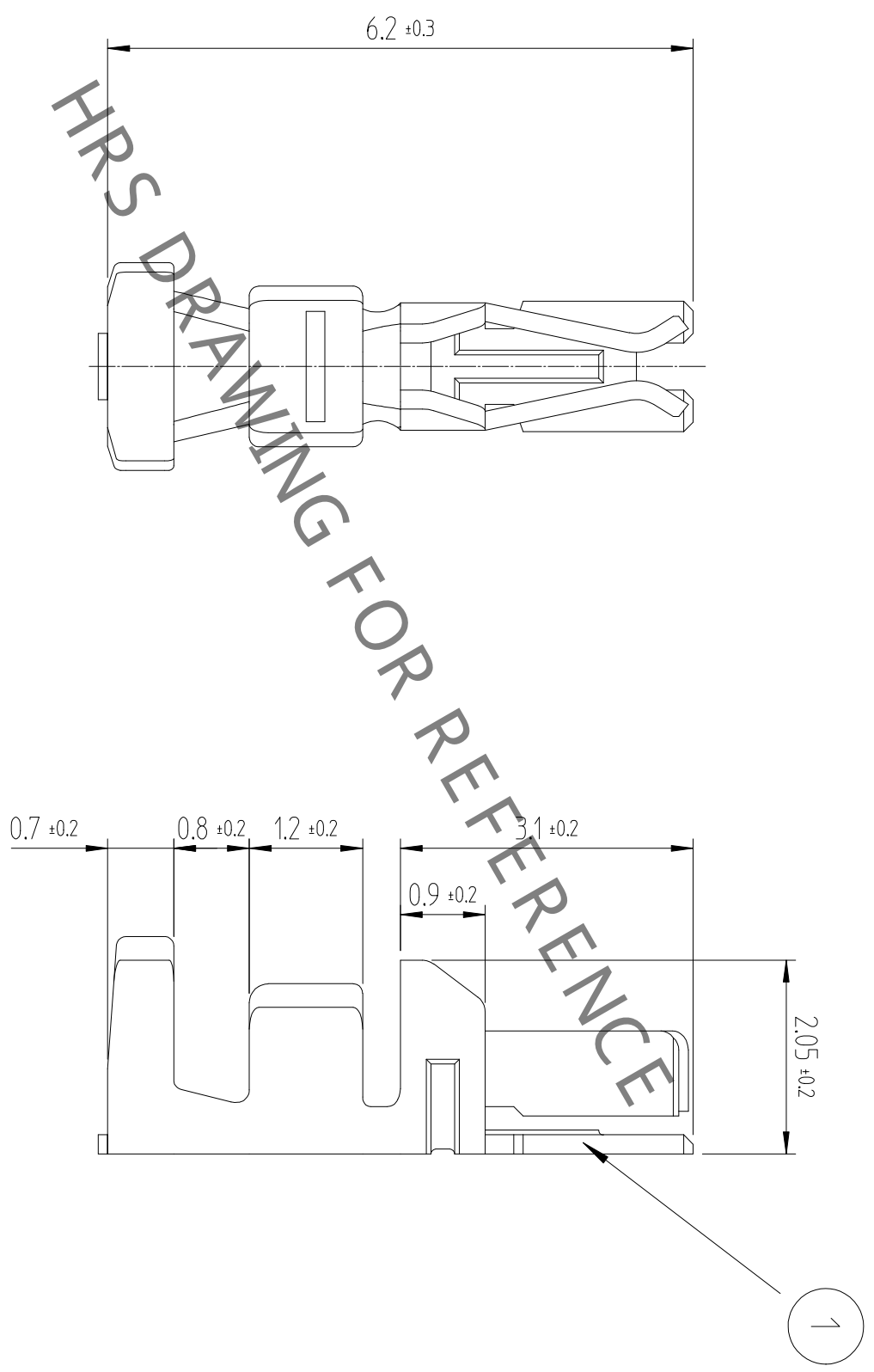
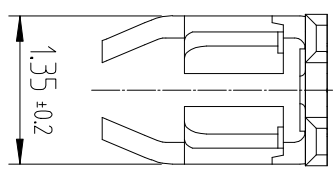


△數 COUNT	訂正事項 DESCRIPTION OF REVISIONS	擔當 B Y	檢圖 CHKD	年月日 DATE	△數 COUNT	訂正事項 DESCRIPTION OF REVISIONS	擔當 B Y	檢圖 CHKD	年月日 DATE
△				· · ·	△				· · ·
△				· · ·	△				· · ·
△				· · ·	△				· · ·



NOTE1. ONE PACK HAS 100 PIECES OF CONTACTS.

NO.	MATERIAL	FINISH. REMARKS	NO.	MATERIAL	FINISH. REMARKS
1	PHOSPHOR BRONZE	TIN PLATED 1μm MIN.			
	DRAWN				
	DESIGNED				
	CHECKED				
	APPROVED				
	RELEASED				

SCALE 10:1	DRAWING NO. EDC4-611513	PART NO. DF51K-22SC (800)
UNITS mm	HRS HIROSE KOREA CO.,LTD.	CODE NO 6652-0065-4-800
		1/1