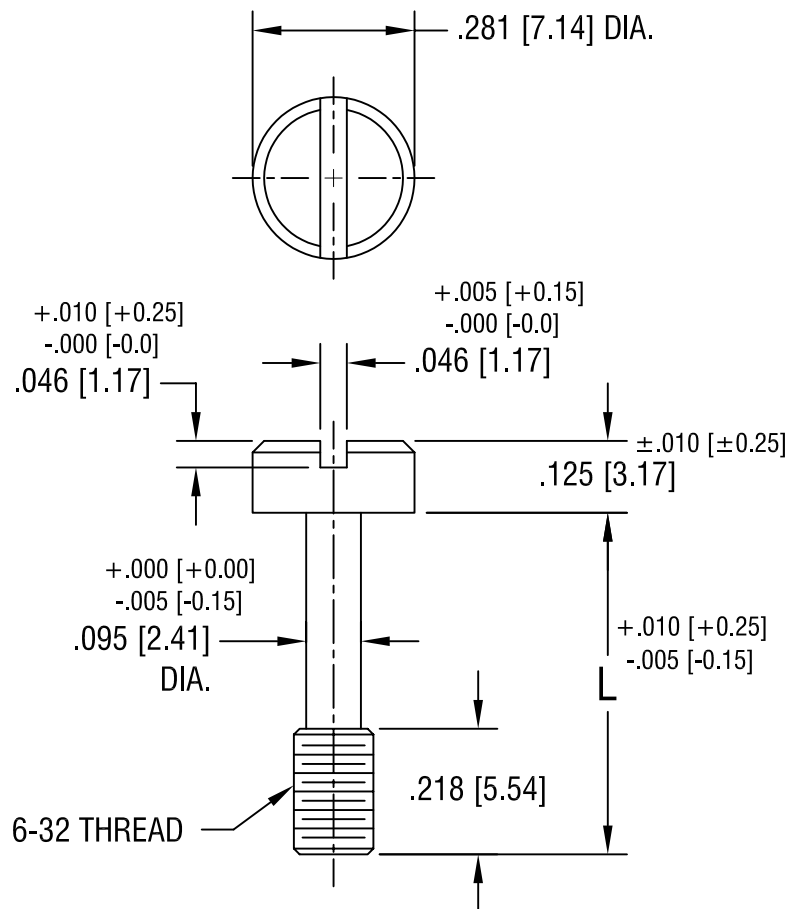


THIS DOCUMENT IS THE PROPERTY OF
KEYSTONE ELECTRONICS CORP. AND
SHALL NOT BE REPRODUCED, DISTRIBUTED
OR USED AS A BASIS FOR MANUFACTURE
WITHOUT PRIOR WRITTEN PERMISSION
FROM KEYSTONE ELECTRONICS CORP.



PART NO.	'L' DIM.
2415	.531 [13.49]
2416	.593 [15.06]
2417	.656 [16.66]

KEYSTONE ELECTRONICS CORP.

ASTORIA, N.Y. 11105-2017

PART NAME		CAPTIVE SCREW	
MATERIAL		STAINLESS STEEL	
FINISH	-	DRN BY	BOONE
		APP'D	LN
		DATE	12.5.95
		SCALE	3X
TOLERANCES	INCH [MM]	CODE	DWG NO.
DECIMAL	$\pm .005 [\pm 0.15]$	C/M	2415-2417
ANGULAR	$\pm 1^\circ$		
UNLESS OTHERWISE SPECIFIED			

7.15.08 | CHANGE AS PER ECN 08-124 | A

DATE | DESCRIPTION | REV.