

THIS DRAWING IS UNPUBLISHED.

RELEASED FOR PUBLICATION

20

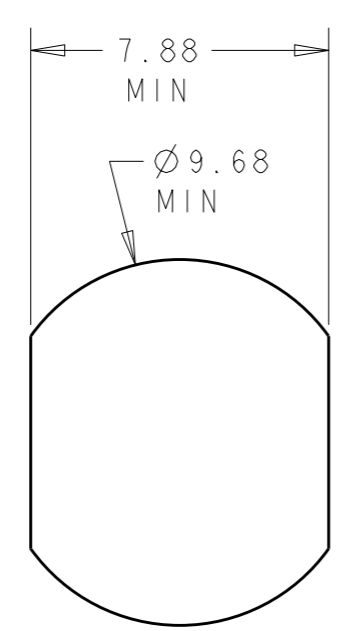
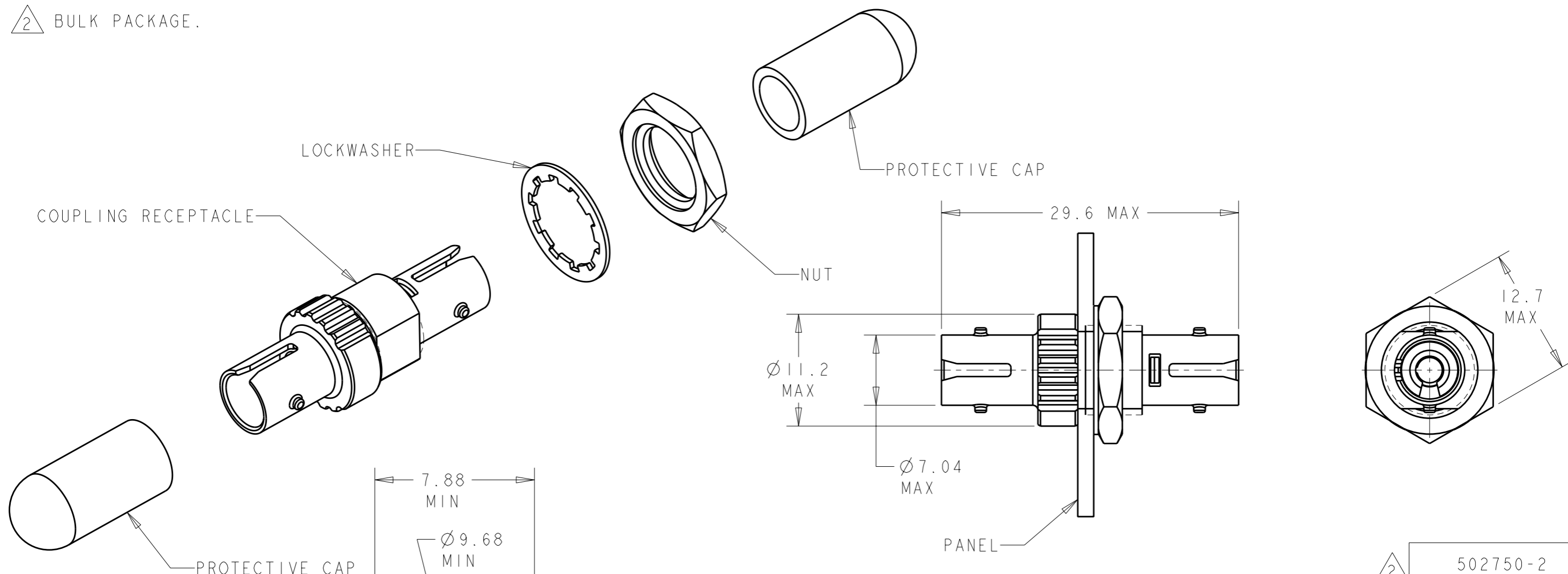
© COPYRIGHT 20 BY -

ALL RIGHTS RESERVED.

LOC	DIST	REVISIONS			
P	LTR	DESCRIPTION	DATE	DWN	APVD
CE	00	CI	REVISED PER ECO-11-005027	18MAR2011	RK HMR

1 MATERIAL:  
 PROTECTIVE CAP: VINYL  
 LOCKWASHER: STAINLESS STEEL  
 NUT: NICKEL PLATED BRASS  
 COUPLING RECEPTACLE:  
 HOUSING: ZINC  
 RETAINER: PBT, COLOR: WHITE, UL94 V-0 RATED AT QUALIFYING THICKNESS  
 SLEEVE: CERAMIC

2 BULK PACKAGE.



SUGGESTED PANEL CUTOUT  
SCALE 5:1

2	502750-2
	502750-1
	PART NUMBER

THIS DRAWING IS A CONTROLLED DOCUMENT.		DWN B. BRIGGS 27OCT2005	<b>STE</b> TE Connectivity	
DIMENSIONS: mm		CHK S. BUCHTER 27OCT2005		
TOLERANCES UNLESS OTHERWISE SPECIFIED:		APVD S. BUCHTER 27OCT2005	NAME COUPLING RECEPTACLE KIT, 2.5mm BAYONET, SINGLEMODE, OPTIMATE	
0 PLC ±-		PRODUCT SPEC	SIZE   CAGE CODE   DRAWING NO   RESTRICTED TO	
1 PLC ±-		APPLICATION SPEC	A3   00779   C-502750   -	
2 PLC ±-		WEIGHT	SCALE 5:2   SHEET 1 OF 1   REV CI	
3 PLC ±-		CUSTOMER DRAWING		
4 PLC ±-				
ANGLES ±-				
FINISH -				