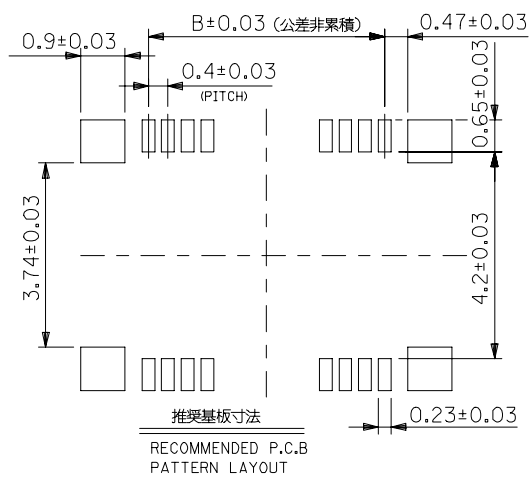
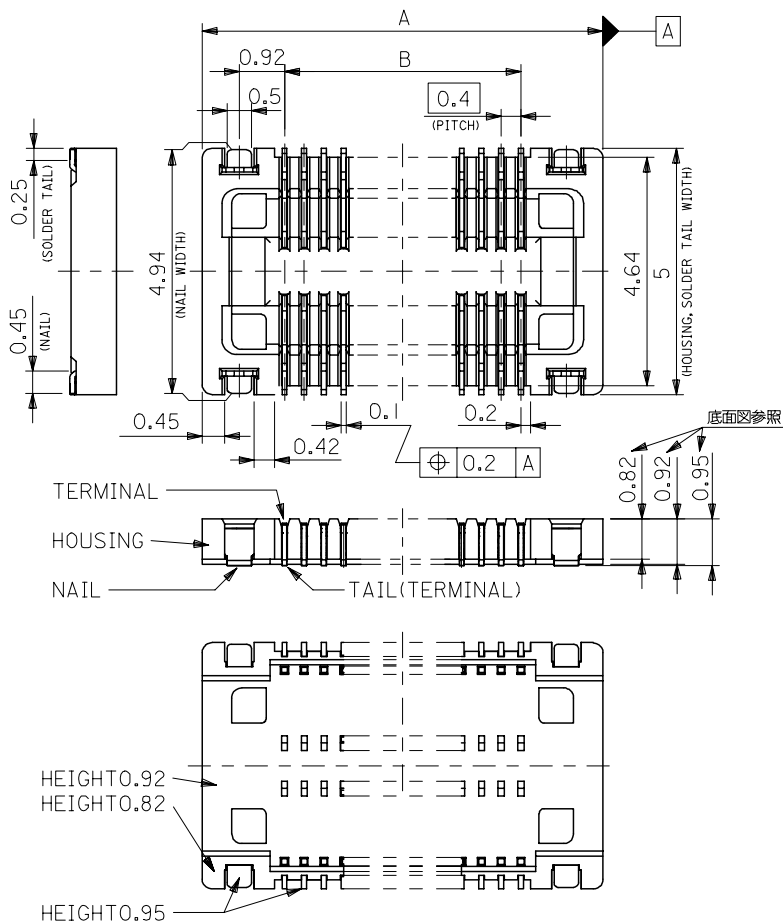


注記
NOTES

- 材質 MATERIAL
ハウジング : 液晶ポリマー-UL94V-0
HOUSING : LIQUID CRYSTAL POLYMER [LCP] UL94V-0
ターミナル : 銅合金
TERMINAL : COPPER ALLOY
ネール : 銅合金
NAIL : COPPER ALLOY
- メッキ仕様 PLATING
接点部 : 金メッキ 0.1 μm MIN.
CONTACT AREA : GOLD PLATING 0.1 μm MIN.
半田付け部 : 金メッキ 0.1 μm MIN.
SOLDER TAIL AREA : GOLD PLATING 0.1 μm MIN.
下地メッキ : ニッケルメッキ 1.0 μm MIN.
UNDER PLATING : NICKEL PLATING 1.0 μm MIN.
ネール : 錫メッキ 1.0 μm MIN.
NAIL : TIN PLATING 1.0 μm MIN.
下地メッキ : ニッケルメッキ 1.0 μm MIN.
UNDER PLATING : NICKEL PLATING 1.0 μm MIN.
- テール及びネールの平坦度は 0.1 以下
TAIL AND NAIL COPLANARITY : 0.1 MAX.
- 嵌合相手 : 500027 シリーズ
MATE WITH : 500027 SERIES



15.74	12.4	500024-6469	64
10.94	7.6	500024-4069	40
9.74	6.4	500024-3469	34
8.94	5.6	500024-3069	30
7.74	4.4	500024-2469	24
6.14	2.8	500024-1669	16
A	B	MATERIAL No.	CIRCUIT
500024-***69		MODEL NO.	

REVISED EC NO: J2006-0812 DRWN: A0YAGI 2005/09/14 CHKD: MTANAKA 2005/09/14 APPR: NUKITA 2005/09/26	GENERAL TOLERANCES (UNLESS SPECIFIED)		DIMENSION STYLE MM ONLY		SCALE ---	DESIGN UNITS METRIC	THIRD ANGLE PROJECTION
	10 UNDER	±0.2	DRAWN BY TASAKAWA	DATE 2004/06/22	TITLE 0.4 B/B CONN. REC ASSY FOR CHECKER -LEAD FREE-		
	10 OVER 30 UNDER	±0.25	CHECKED BY THIRATA	DATE 2004/06/22	MOLEX MOLEX INCORPORATED		
	30 OVER	±0.3	APPROVED BY MSASAO	DATE 2004/06/22	DOCUMENT NO. SD-500024-024		
	ANGULAR ±3 °	DRAFT WHERE APPLICABLE MUST REMAIN WITHIN DIMENSIONS		MATERIAL NO. 500024-***69	SHEET NO. 1 OF 2		
B	REV	SIZE A3 THIS DRAWING CONTAINS INFORMATION THAT IS PROPRIETARY TO MOLEX INCORPORATED AND SHOULD NOT BE USED WITHOUT WRITTEN PERMISSION					

10 9 8 7 6 5 4 3 2 1

F

F

E

E

D

D

C

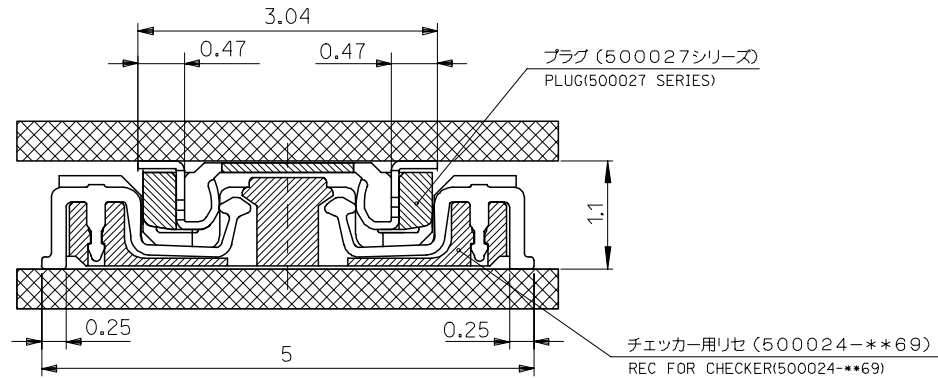
C

B

B

A

A



嵌合断面図 (参考)
MATED DRAWING

500024-***69 MODEL NO.

REVISED EC NO: J2006-0812 DRWN: AYOYAGI 2005/09/14 CHKD: TANAKA 2005/09/14 APPR: NUKITA 2005/09/26 REV B	GENERAL TOLERANCES (UNLESS SPECIFIED)		DIMENSION STYLE MM ONLY		SCALE ---	DESIGN UNITS METRIC	THIRD ANGLE PROJECTION	
	10 UNDER	± 0.2	DRAWN BY TASAKAWA	DATE 2004/06/22	TITLE 0.4 B/B CONN. REC ASSY FOR CHECKER -LEAD FREE-			
	10 ^{OVER} 30 UNDER	± 0.25	CHECKED BY THIRATA	DATE 2004/06/22				
	30 ^{OVER}	± 0.3	APPROVED BY MSASAO	DATE 2004/06/22	MOLEX INCORPORATED			
	ANGULAR ± 3 °		MATERIAL NO. 500024-***69		DOCUMENT NO. SD-500024-024		SHEET NO. 2 OF 2	
DRAFT WHERE APPLICABLE MUST REMAIN WITHIN DIMENSIONS		THIS DRAWING CONTAINS INFORMATION THAT IS PROPRIETARY TO MOLEX INCORPORATED AND SHOULD NOT BE USED WITHOUT WRITTEN PERMISSION						

9

8

7

6

5

4

3

2

F

E

D

C

B

A

F

E

D

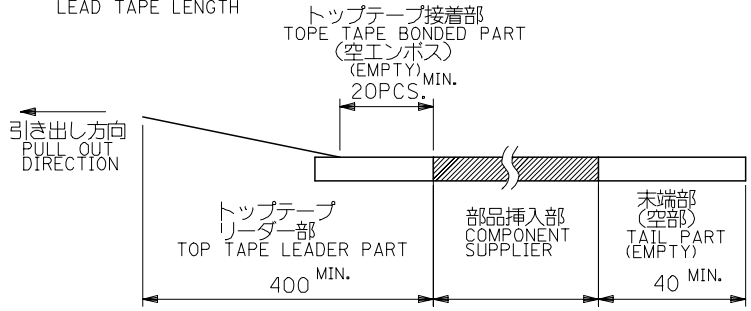
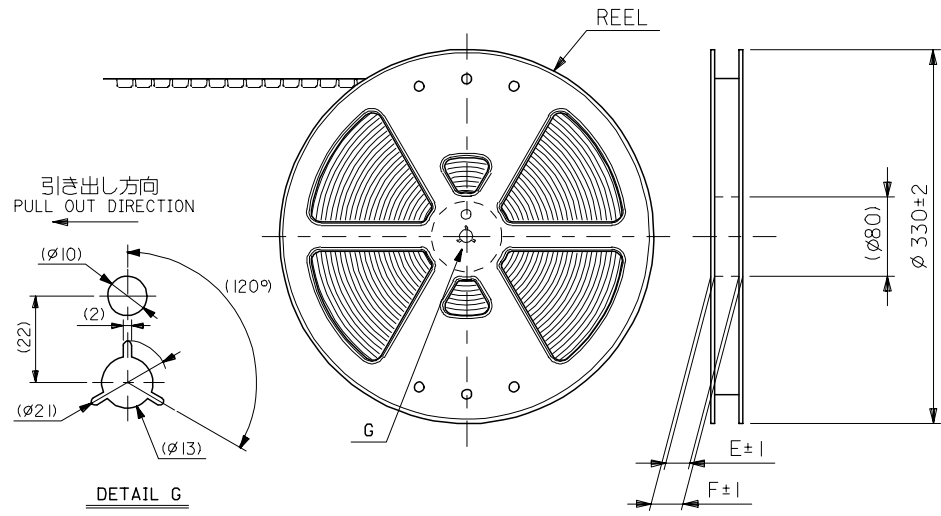
C

B

A

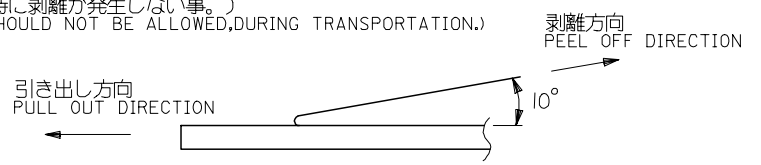
注)
NOTES

1. 製品番号 500024-***69 詳細寸法については、製品単体図面を参照下さい。
IN THE PACKAGE PART NUMBER 500024-***69 DETAILED DIMENSIONS, SEE SALES DRAWING FOR CONNECTOR.
2. 梱包数量：2000個/リール
NUMBER OF CONNECTORS : 2000 PCS/REEL.
3. リードテープ長さ
LEAD TAPE LENGTH



4. トップテープの剥離強度：(剥離方向は下図参照)
PEELING OFF FORCE OF TOP TAPE (PELLING DIRECTION AS SHOWN IN FOLLOWING FIGURE.)
0. 1~1. 3N {10~130gf}

尚、本規格値は、出荷時に適用。
THIS REQUIREMENT SHOULD BE APPLIED AT SHIPMENT.
(但し、輸送時に剥離が発生しない事。)
(PEEL OFF SHOULD NOT BE ALLOWED, DURING TRANSPORTATION.)



5. 材料
MATERIAL
キャリアテープ：ポリプロピレン (PP)
CARRIER TAPE: POLYPROPYLENE (PP)
トップテープ：PET, PE, PEF
TOP TAPE: PET, PE, PEF
リール：ポリスチレン
REEL : POLYSTYRENE

500024-***61 MODEL NO.

REVISED EC NO: J2006-0812 DRWN: A0YAGI 2005/09/14 CHKD: TANAKA 2005/09/14 APPR: NUKITA 2005/09/26	GENERAL TOLERANCES (UNLESS SPECIFIED)		DIMENSION STYLE MM ONLY		SCALE ---	DESIGN UNITS METRIC	THIRD ANGLE PROJECTION	
	10 UNDER	±0.2	DRAWN BY T. ASAKAWA	DATE 2004/06/22	TITLE EMBOSSSED TAPE FOR 500024-***69 -LEAD FREE-			
	10 OVER 30 UNDER	±0.25	CHECKED BY T. HIRATA	DATE 2004/06/22				
	30 OVER	±0.3	APPROVED BY M. SASAO	DATE 2004/06/22	MOLEX MOLEX INCORPORATED			
	ANGULAR	±3 °	MATERIAL NO. SEE CHART		DOCUMENT NO. SD-500024-025		SHEET NO. 1 OF 2	
DRAFT WHERE APPLICABLE MUST REMAIN WITHIN DIMENSIONS		SIZE A3		THIS DRAWING CONTAINS INFORMATION THAT IS PROPRIETARY TO MOLEX INCORPORATED AND SHOULD NOT BE USED WITHOUT WRITTEN PERMISSION				

10 9 8 7 6 5 4 3 2 1

F

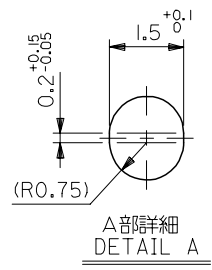
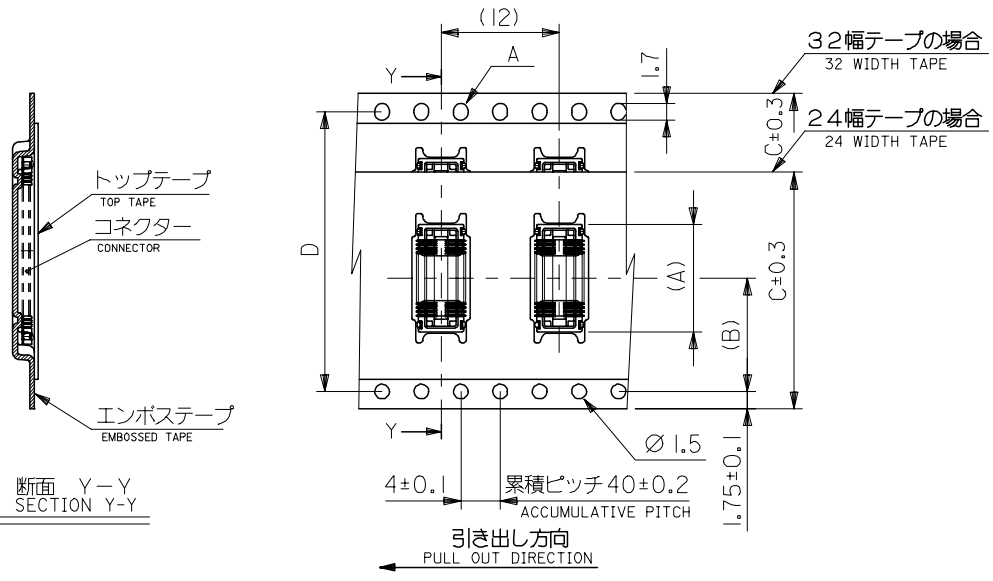
E

D

C

B

A



18.94	14.2	32	28.4	33.4	37.4	500024-6469	500024-6461	64
10.94						500024-4069	500024-4061	40
9.74						500024-3469	500024-3461	34
8.94	11.5	24	#	25.4	29.4	500024-3069	500024-3061	30
7.74						500024-2469	500024-2461	24
6.14						500024-1669	500024-1661	16
(A)	(B)	C	D	E	F	CONNECTOR	MATERIAL No.	CIRCUIT

REVISED EC NO: J2006-0812 DRWN: AYOYAGI 2005/09/14 CHKD: TANAKA 2005/09/14 APPR: NUKITA 2005/09/26	GENERAL TOLERANCES (UNLESS SPECIFIED)		DIMENSION STYLE MM ONLY		SCALE ---	DESIGN UNITS METRIC	THIRD ANGLE PROJECTION	
	10 UNDER	±0.2	DRAWN BY T. ASAKAWA		DATE 2004/06/22		TITLE EMBOSSSED TAPE FOR 500024-***69 -LEAD FREE-	
	10 OVER 30 UNDER	±0.25	CHECKED BY T. HIRATA		DATE 2004/06/22		MOLEX INCORPORATED	
	30 OVER	±0.3	APPROVED BY M. SASAO		DATE 2004/06/22		DOCUMENT NO. SD-500024-025	
	ANGULAR	±3 °	MATERIAL NO. SEE CHART		SHEET NO. 2 OF 2			
	DRAFT WHERE APPLICABLE MUST REMAIN WITHIN DIMENSIONS		SIZE A3		THIS DRAWING CONTAINS INFORMATION THAT IS PROPRIETARY TO MOLEX INCORPORATED AND SHOULD NOT BE USED WITHOUT WRITTEN PERMISSION			