

PART NAME: KNOB

SCALE: 1:1

DATE: 8/14/96

DR. BY HD



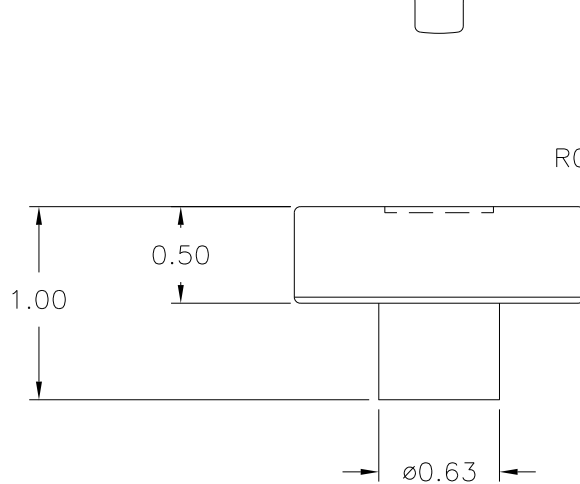
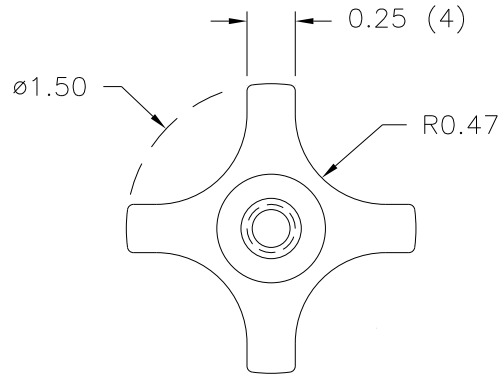
DESIGNERS & MANUFACTURERS OF KNOBS, HANDLES, CASES & CUSTOM PLASTIC COMPONENTS

P/N 2820AT

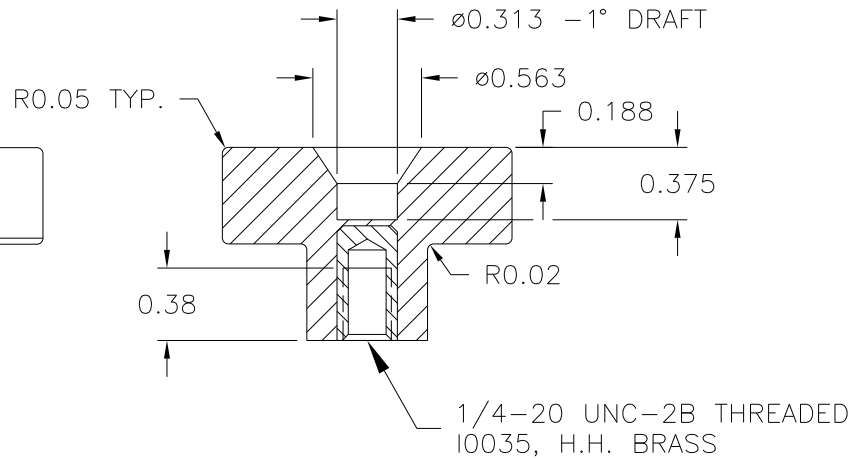
BASE PART 2820-01

THIS DRAWING IS THE PROPERTY OF DAVIES MOLDING COMPANY, IS SUBMITTED SOLELY AS A DESIGN OR ENGINEERING PROJECT. WE ACCEPT NO RESPONSIBILITY WHATSOEVER FOR THE PRACTICAL APPLICATION OF THE PIECES MADE TO THIS DESIGN.

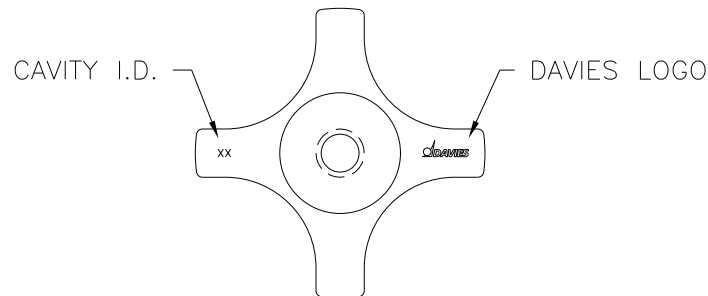
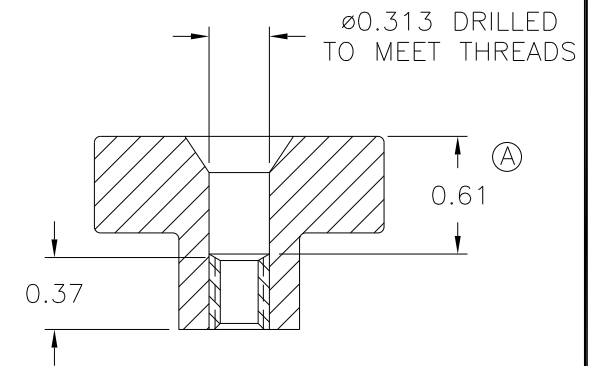
©



AFTER MOLDING



AFTER FINISHING



MATERIAL: G.P. PHENOLIC (B11)
COLOR: BLACK

TOLERANCES: UNLESS OTHERWISE SPECIFIED	DO NOT SCALE DRAWING	C	ADDED BASE PART	JAM	4/18/13
		B	ADDED INNER & OUTER PINS, CORRECTED TOOLING BOX	TS	10/31/02
DECIMALS: X.XXX ± .005 X.XX ± .015	MM: X.XX ± 0.15MM X.X ± 0.4MM	-	REDRAWN	TL	11/19/99
		A	ADDED 0.61	MP	3/12/97
FRACTIONS ± 1/64	ANG. ± 1°	CHANGES			