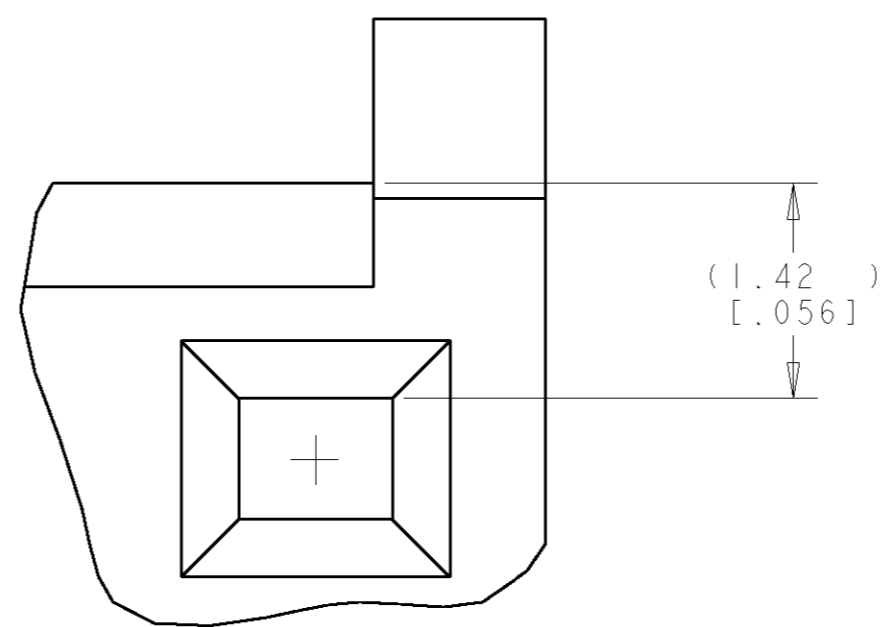
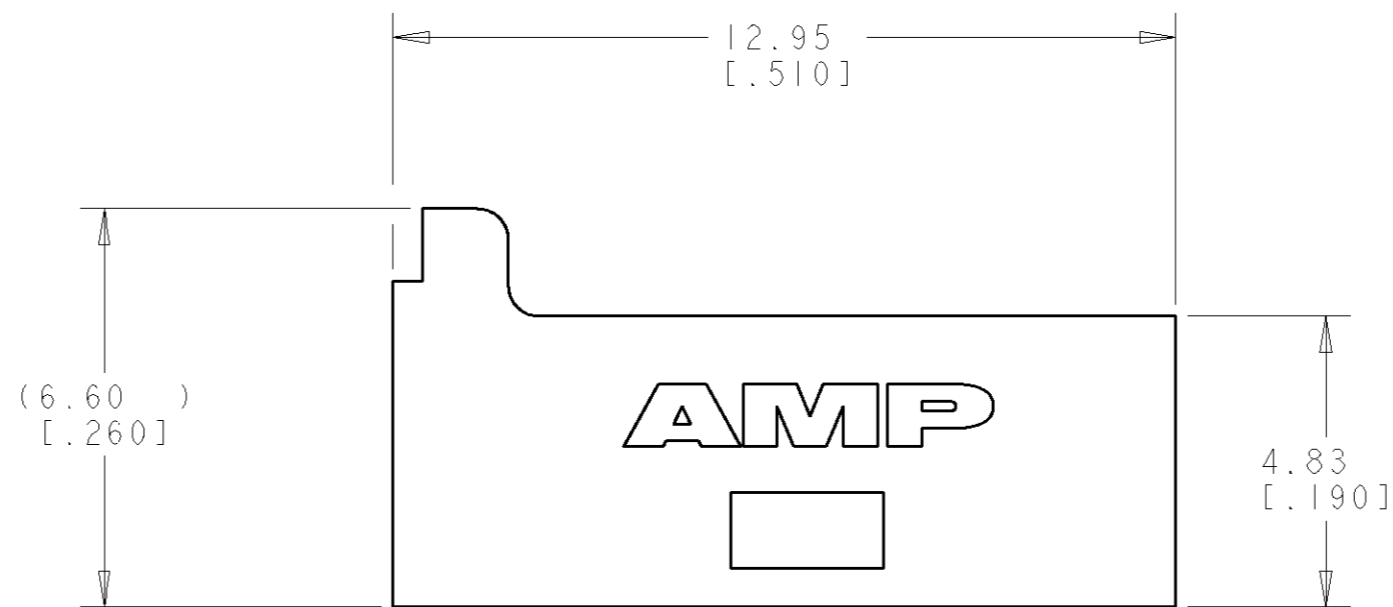
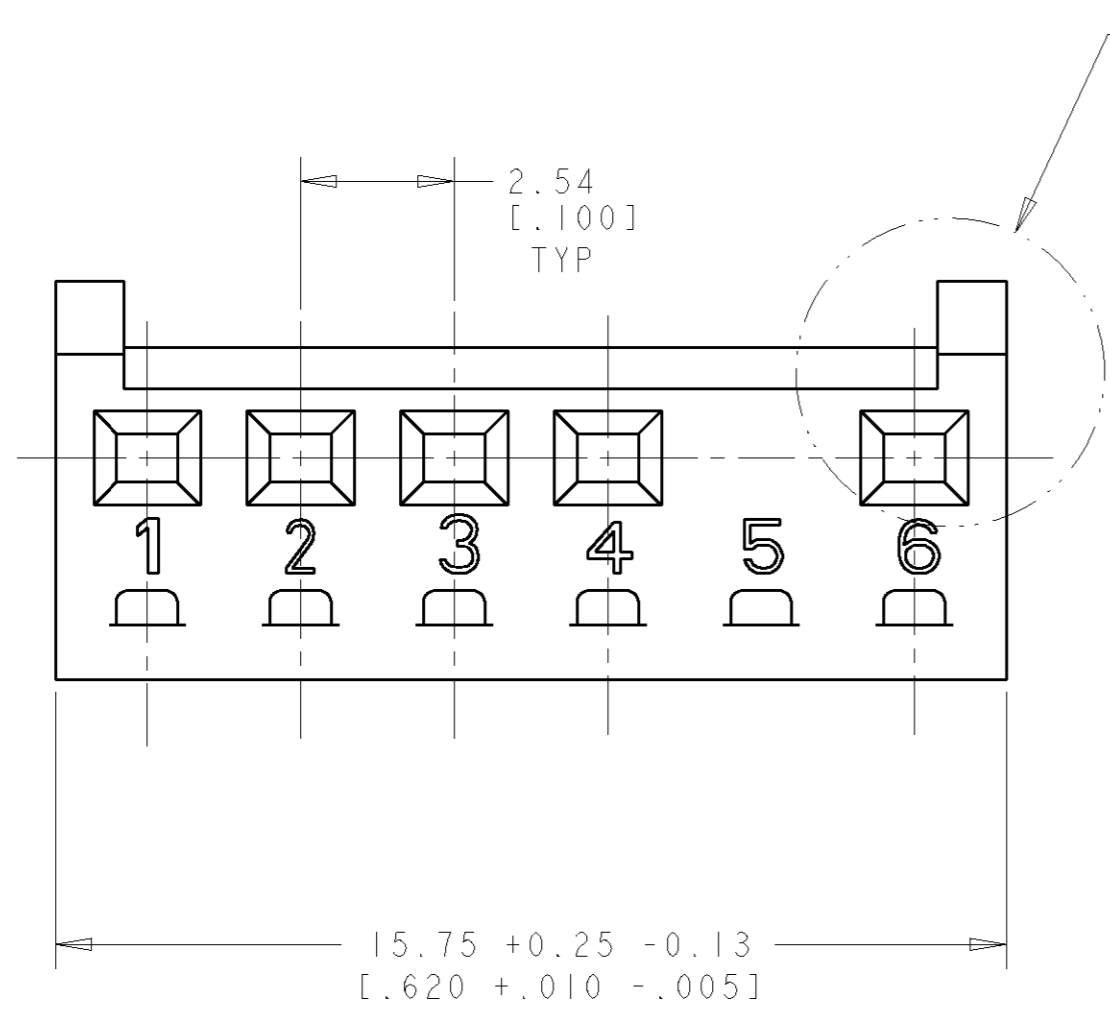


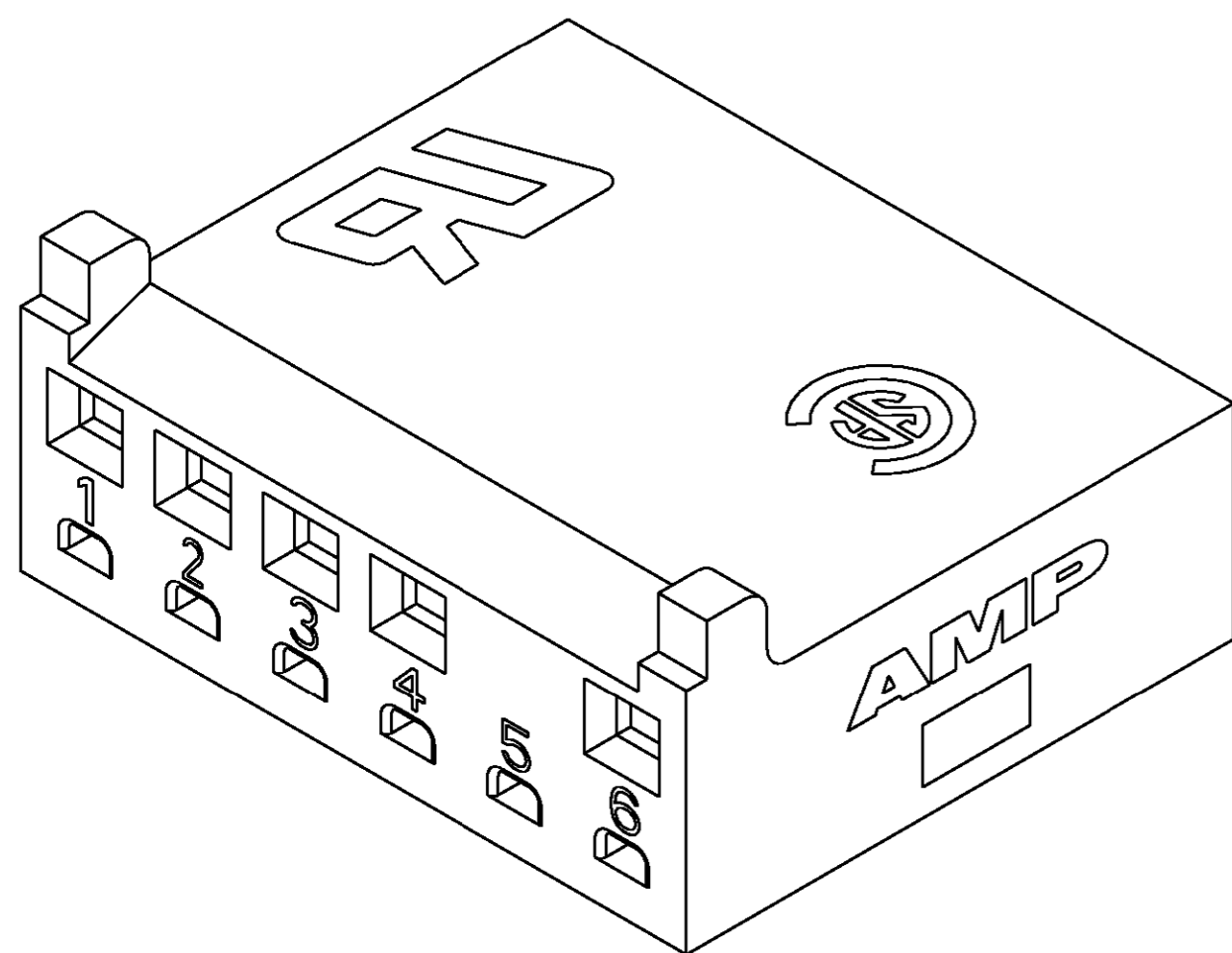
THIS DRAWING IS UNPUBLISHED. RELEASED FOR PUBLICATION 20
 © COPYRIGHT 20 BY TYCO ELECTRONICS CORPORATION. ALL RIGHTS RESERVED.

LOC	DIST	REVISIONS					
CM	00	P	LTR	DESCRIPTION	DATE	DWN	APVD
			0	REVISED PER 063B-0267-01	21-JUNE-01	KW	JE

1. ACCEPTS CONTACT P/N 1375819.
2. ACCEPTS MTA-100 KEYING PLUG P/N 641994-1.
3. DIMENSIONS IN BRACKETS ARE IN INCHES.
4. NOT FOR USE WITH CONTACT PART NUMBER 770601 OR 770666.



DETAIL A
SCALE 20:1



METRIC

647508-6
PART NUMBER

THIS DRAWING IS A CONTROLLED DOCUMENT FOR TYCO ELECTRONICS CORPORATION. IT IS SUBJECT TO CHANGE AND THE CONTROLLING ENGINEERING ORGANIZATION SHOULD BE CONTACTED FOR THE LATEST REVISION.		DWN K. WHITAKER 21-JUNE-2001	Tyco Electronics Harrisburg, PA 17105-3608	
DIMENSIONS: mm [INCHES]		CHK J. ELLIS 21-JUN-2001	NAME HOUSING, 6 POSITION, CIRCUIT 5 BLOCKED, CST 100 11	
TOLERANCES UNLESS OTHERWISE SPECIFIED: 0 PLC ± 1 PLC ± 2 PLC ±0.13(.015) 3 PLC ± 4 PLC ± ANGLES ±		APVD J. ELLIS 21-JUNE-2001	PRODUCT SPEC 108-1948	
MATERIAL NYLON		FINISH -	APPLICATION SPEC 114-13036	RESTRICTED TO -
		WEIGHT -	SIZE A2	CAGE CODE 00779
		CUSTOMER DRAWING	DRAWING NO 647508	SCALE 8:1
			SHEET 1	OF 1
			REV 0	