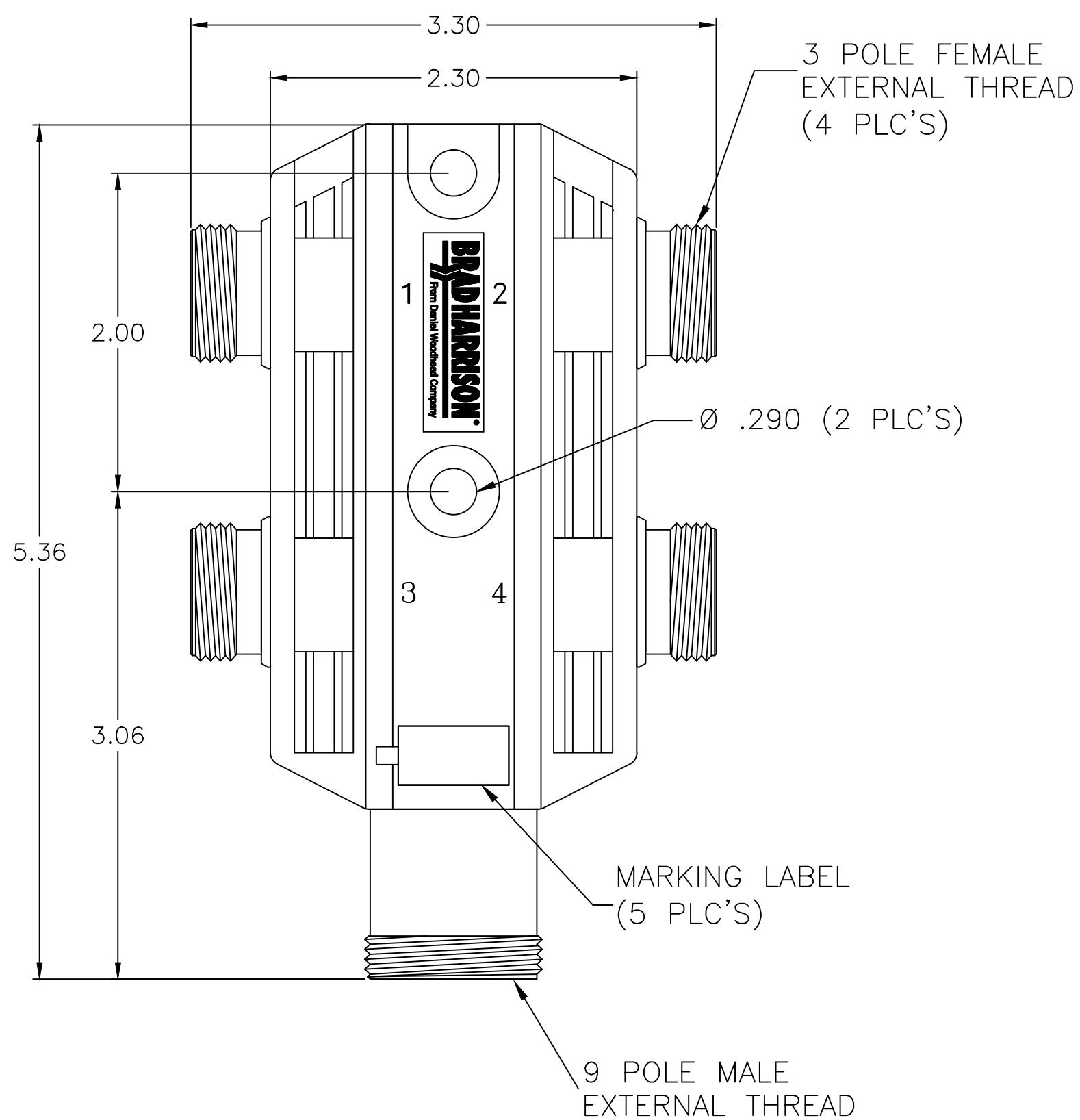
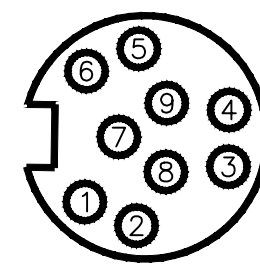
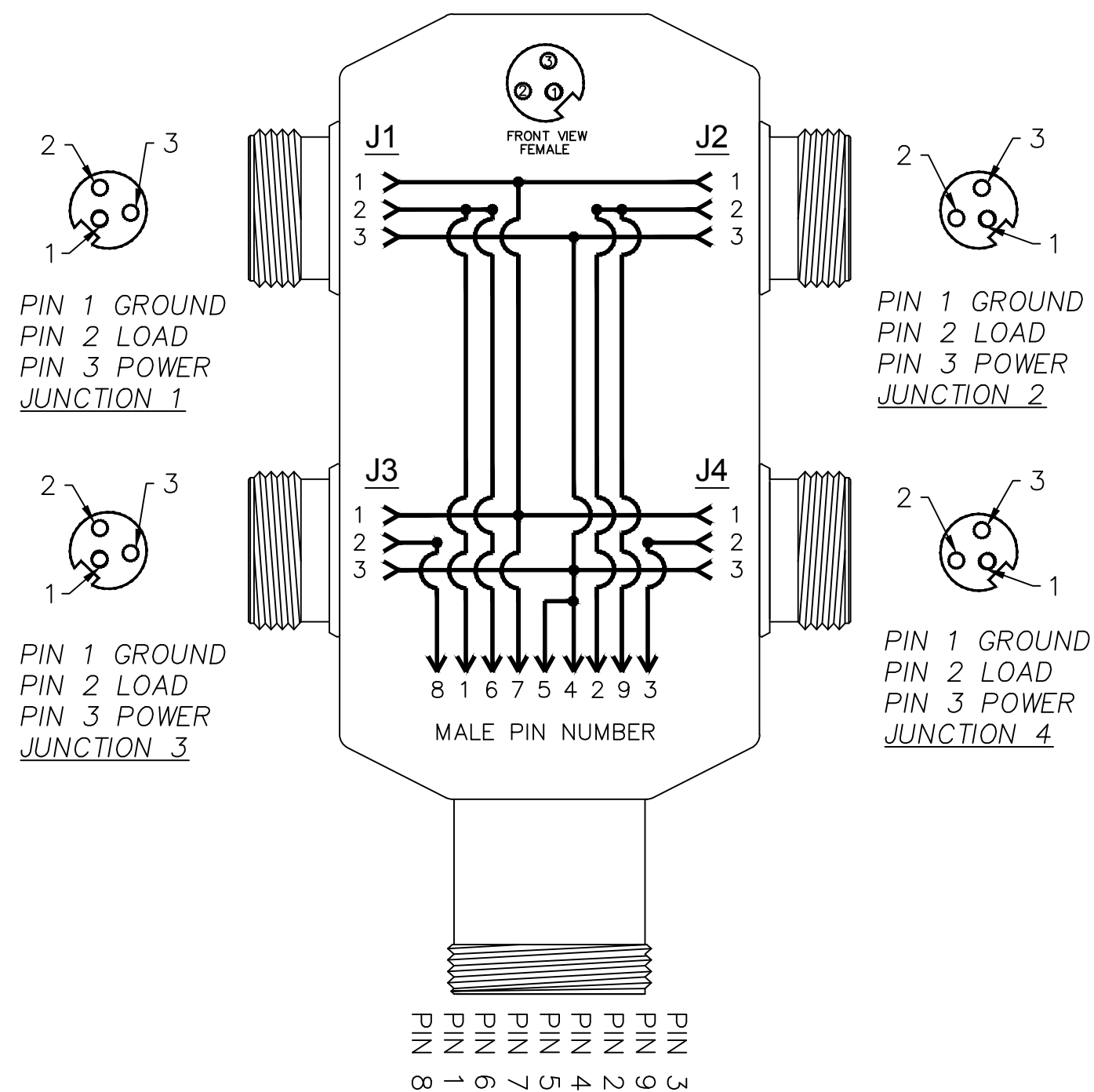


13	12	11	10	9	8	7	6	5	4	3	2	1
MATERIAL NO.		ENGINEERING NO.										
1300600084		409P481										

DIMENSIONAL



SCHEMATIC TOP VIEW



NOTES:

- MATERIAL: SEE TABLE
- FINISHES: SEE TABLE
- ELECTRICAL DATA:
VOLTAGE: 600V AC/DC
AMPERAGE: 7A PER MPIS UNIT
- ENVIRONMENTAL:
PROTECTION: IP67
AMBIENT OPERATING TEMPERATURE: -25°C TO 90°C

CUSTOMER PRODUCTION APPROVAL
APPROVED BY: _____
DATE: _____
MUST BE SIGNED AND RETURNED BEFORE
PRODUCTION WILL BEGIN.

RESTRICTED SALES DRAWING

5	5	INSERT	PVC	YELLOW
4	9	PIN CONTACT	COPPER ALLOY	GOLD PLATED
3	12	SOCKET CONTACT	COPPER ALLOY	GOLD PLATED
2	5	RECEPTACLE SHELL	E-COATED ZINC ALLOY	BLACK
1	1	HOUSING	PBT	YELLOW
ITEM	QTY.	DESCRIPTION	MATERIAL	FINISH

INITIAL RELEASE EC NO: IPG2014-0046 DRWN: BARDEN 2013/07/23 CHKD: VOI APPR: BWOODMAN 2013/07/31	QUALITY SYMBOL	GENERAL TOLERANCES (UNLESS SPECIFIED)	DIMENSION STYLE INCH ONLY	SCALE NTS	DESIGN UNITS INCH	THIRD ANGLE PROJECTION
	▽=0 ∇=0	4 PLACES ±--- ±--- 3 PLACES ±--- ±.005 2 PLACES ±0.13 ±.010 1 PLACE ±0.25 ±.020	DRAWN BY DATE BARDEN 2013/07/23 CHECKED BY DATE VOU 2013/07/29 APPROVED BY DATE BWOODMAN 2013/07/31	TITLE MINI-CHANGE MPIS 4/3P FR W/9P MR SPECIAL WIRING		
		ANGULAR ±.5° DRAFT WHERE APPLICABLE MUST REMAIN WITHIN DIMENSIONS	MATERIAL NO. --- SIZE C	MOLEX INCORPORATED DOCUMENT NO. SD-130060-016		SHEET NO. 1 OF 1
			THIS DRAWING CONTAINS INFORMATION THAT IS PROPRIETARY TO MOLEX INCORPORATED AND SHOULD NOT BE USED WITHOUT WRITTEN PERMISSION			