



3500 MHz Cavity Band Pass Filter

Part Number: AB3500B1279



ANATECH ELECTRONICS INC
RF & Microwave Filters & Products

Electrical specifications

Center frequency: 3500 MHz
Frequency range: 3400-3600 MHz
Insertion loss: =/ $<$ 1.0 dB
VSWR: =/ $<$ 1.3 dB
Rejection 1: =/ $>$ 55 dB@3300 MHz
Rejection 2: =/ $>$ 55 dB@3700 MHz
Power: 50 Watts max

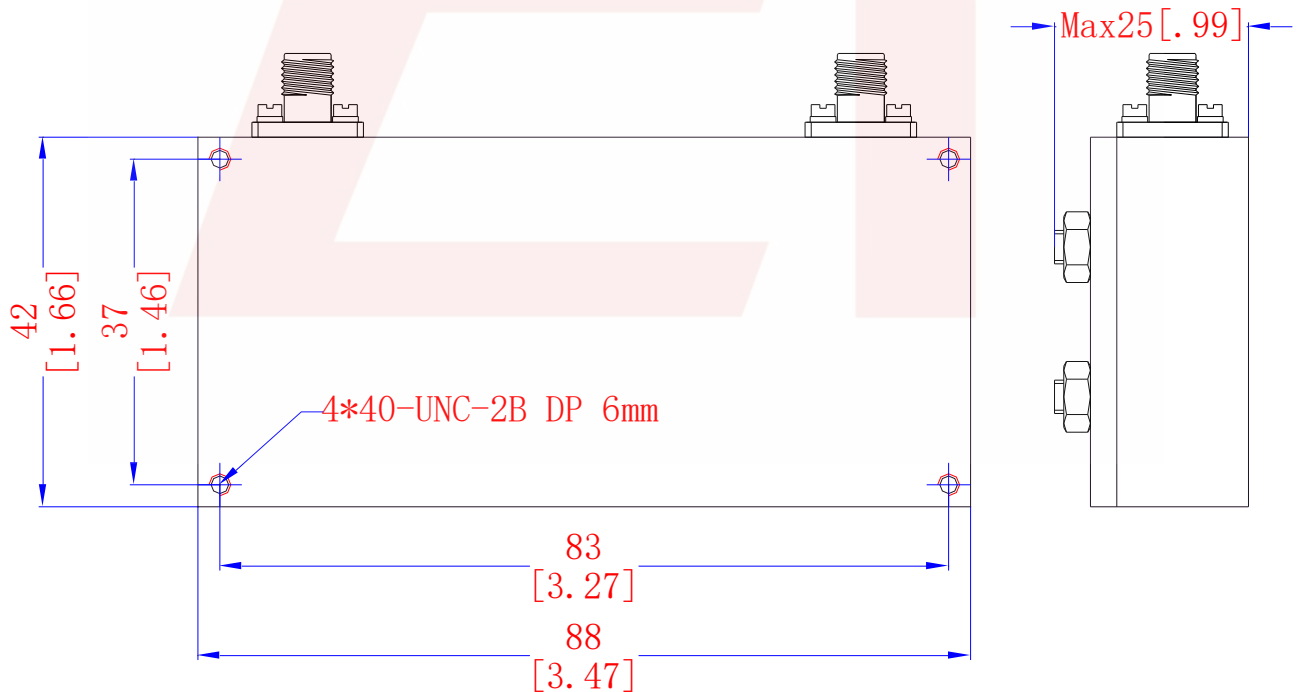
Mechanical

Mounting Method: Threaded Mounting Holes
Connector Type: SMA Female
Dimensions: 3.47" x 1.66" x 0.99" in
Surface finish: Black

Environmental

Operating Temperature: -45 to +85° C
Storage Temperature: -55 to +95° C
Shock: 20 G. 11ms
Vibration: 20 G. 5 to 200 MHz

Outline Drawing:





ANATECH ELECTRONICS INC
RF & Microwave Filters & Products

3500 MHz Cavity Band Pass Filter

Part Number: AB3500B1279



Response Plot:

