

IN421
Contractor® Flashlight

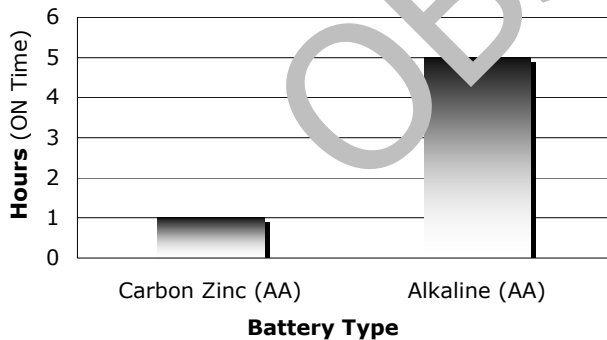


Features

- Swivel Head Rotates 180°
- Belt Clip
- Trigger Switch
- Soft Ergonomic Grip
- Krypton Bulb

Typical Battery Service

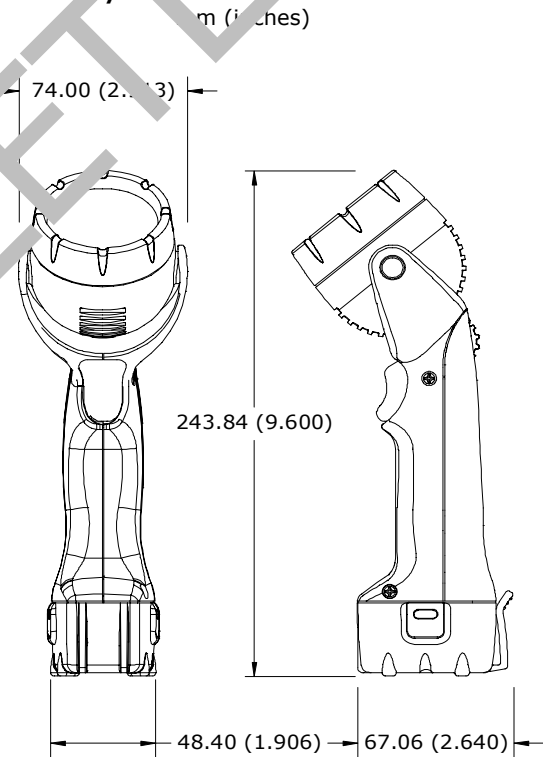
350 mA Continuous
at 21°C (70°F)



Specifications

- Designation:** Energizer Flashlight
- Power Source:** Four AA Size Batteries (ANSI/NEDA 15 Series)
- Configuration:** Series - Parallel Circuit
- Lamp:** No. KPR-102 (Rated at 2.4V, 0.7A)
- Lamp Life:** Rated at 15 Hours
- Lamp Output:** Rated at 16.5 Lumens
- Typical Weight:** 181 grams (6.4 oz.) (without batteries)

Physical Dimensions



Typical Battery Service to 0.9V (per battery) at 21°C (70°F)

Schedule	Battery Type	Hours (ON Time)
350 mA Continuous	1215	1.0
350 mA Continuous	E91	5.0

Important Notice

This datasheet contains information specific to flashlights manufactured at the time of its publication.
Contents herein do not constitute a warranty.
Copyright Eveready Battery Co. Inc. - All Rights Reserved