

## DATA SHEET

# Tripod adapter to M6 and 1/4-20 UNC for Alvium CSI-2 and USB cameras

Product code  
12310  
V1.1.0  
2019-Dec-10

## Shipping contents

- Tripod adapter (mounting plate) for Alvium CSI-2 and USB cameras with open or closed housing
- 2 screws M3-8 to mount the tripod adapter to the camera (max torque: 0.6 Nm)



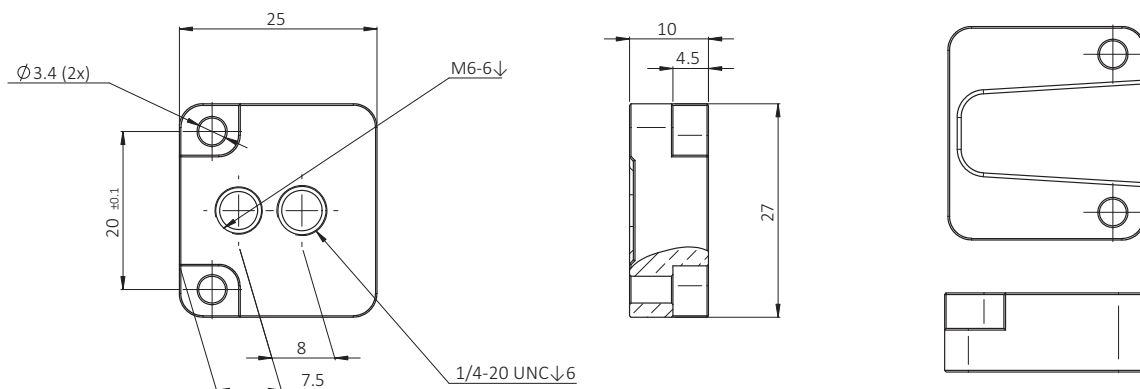
### CAUTION

#### Personal injury by falling cameras

A falling camera can hit your body and hurt you.

- Before mounting your Alvium camera to the tripod adapter, read your camera's user guide. See [www.alliedvision.com/en/support/technical-documentation.html](http://www.alliedvision.com/en/support/technical-documentation.html)
- Use the tripod adapter only for static applications.

## Dimensions



## Specifications

Feature	Specification
Threads (max. torque)	1 × M6-6↓ (max. torque: 5 Nm*); 1 × 1/4-20 UNC↓6 (max. torque: 5 Nm*)
Dimensions (L × W × H [mm])	25 × 27 × 10
Mass	16 g
Regulations	REACH

\*For typical steel screws with Grade 5.2 (Festigkeit 8.8), using the full thread length