

Product data sheet

Specifications



Telemecanique Safety light curtains XUSL, Protective screen 935 mm for light curtains

XUSZWPE080

Main

Range of product	Telemecanique Safety light curtains XUSL
Accessory / separate part category	Protection accessories
Accessory / separate part type	Protective screen
Product compatibility	XUSL.E3BB081
Accessory / separate part destination	Safety light curtain type 2 Safety light curtain type 4
Height	935 mm
Quantity per set	Set of 4

Complementary

Material	Polycarbonate
Sensing distance reduction coefficient	0.97 Sn
Product weight	0.33 kg

Environment

Resistance to chemical agents	Resistant aqueous solutions Resistant alkalis Resistant to inorganic diluted acids Resistant detergents and cleaners
Ambient air temperature for operation	-10...55 °C -10...55 °C
Ambient air temperature for storage	-25...70 °C -25...70 °C

Packing Units

Unit Type of Package 1	PCE
Number of Units in Package 1	1
Package 1 Height	14.0 cm
Package 1 Width	20.0 cm
Package 1 Length	105.5 cm
Package 1 Weight	1.387 kg
Unit Type of Package 2	P12

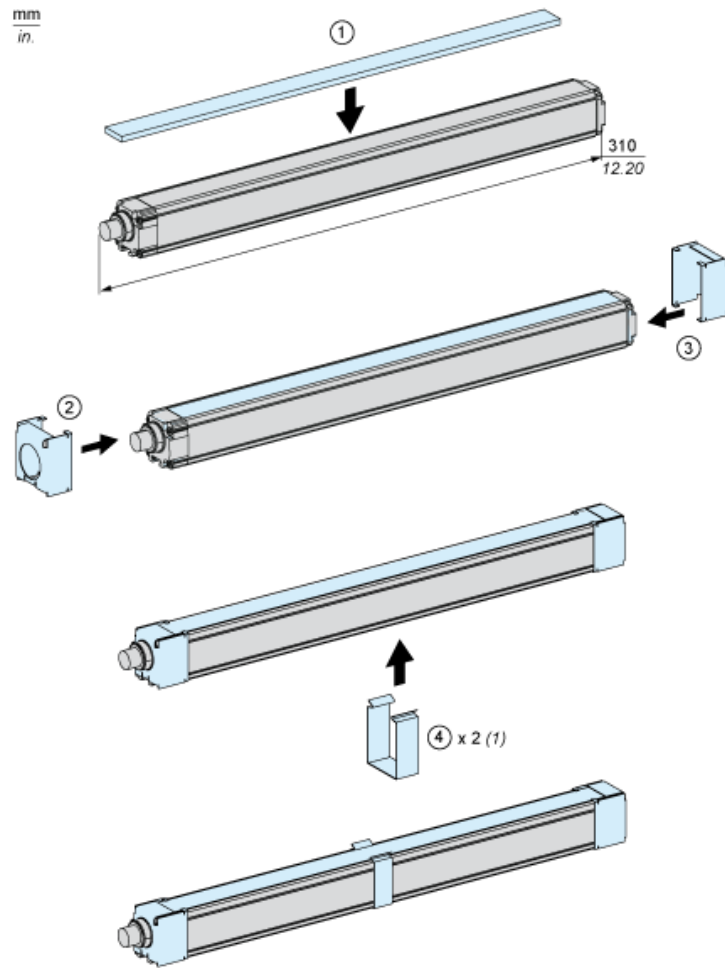
Number of Units in Package 2	12
Package 2 Height	75.0 cm
Package 2 Width	80.0 cm
Package 2 Length	120.0 cm
Package 2 Weight	24.774 kg

Offer Sustainability

Sustainable offer status	Green Premium product
REACH Regulation	REACH Declaration
REACH free of SVHC	Yes
EU RoHS Directive	Pro-active compliance (Product out of EU RoHS legal scope) EU RoHS Declaration
Toxic heavy metal free	Yes
Mercury free	Yes
RoHS exemption information	Yes
Environmental Disclosure	Product Environmental Profile
Circularity Profile	End of Life Information
California proposition 65	WARNING: This product can expose you to chemicals including: Diisononyl phthalate (DINP), which is known to the State of California to cause cancer, and Di-isodecyl phthalate (DIDP), which is known to the State of California to cause birth defects or other reproductive harm. For more information go to www.P65Warnings.ca.gov

Mounting and Clearance

Various Stages in the Protective Screen Assembly



(1) Depending on the length

Recommended replacement(s)