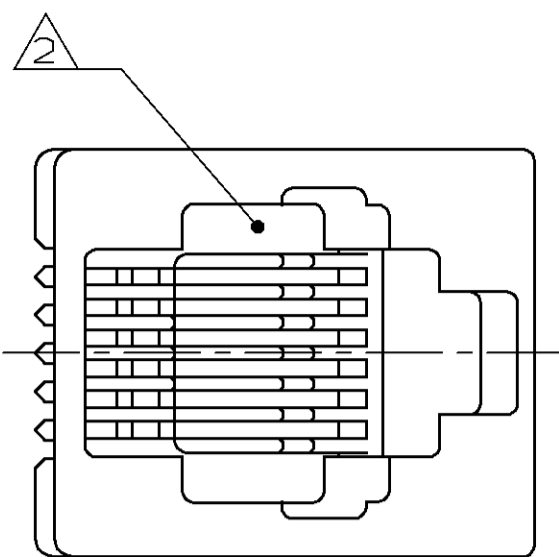
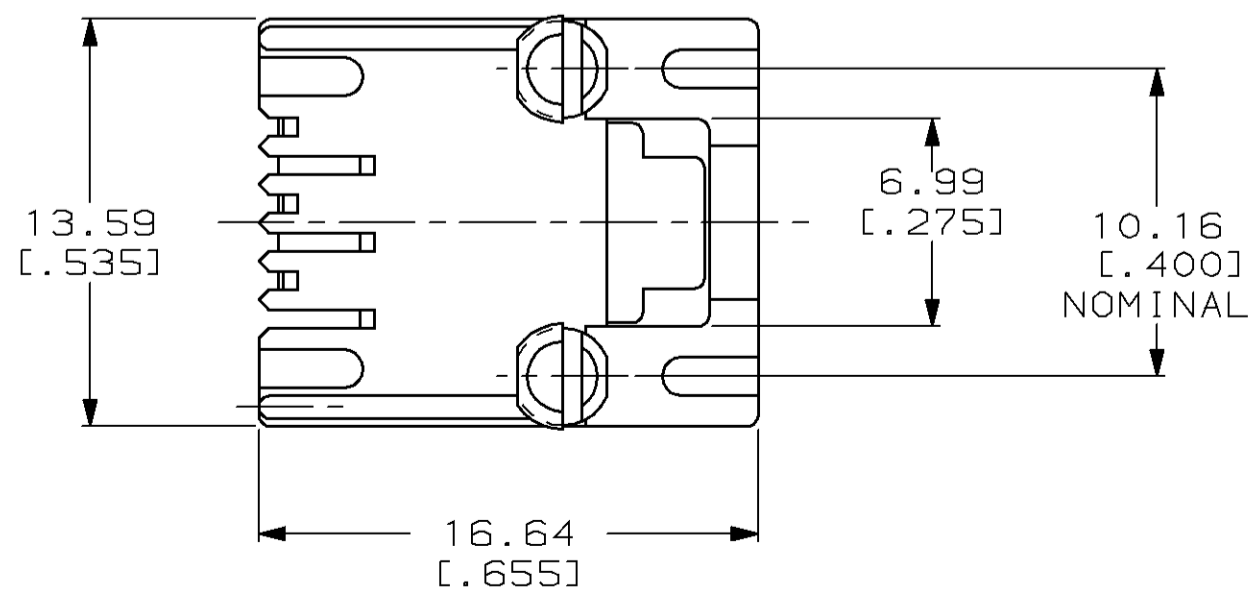
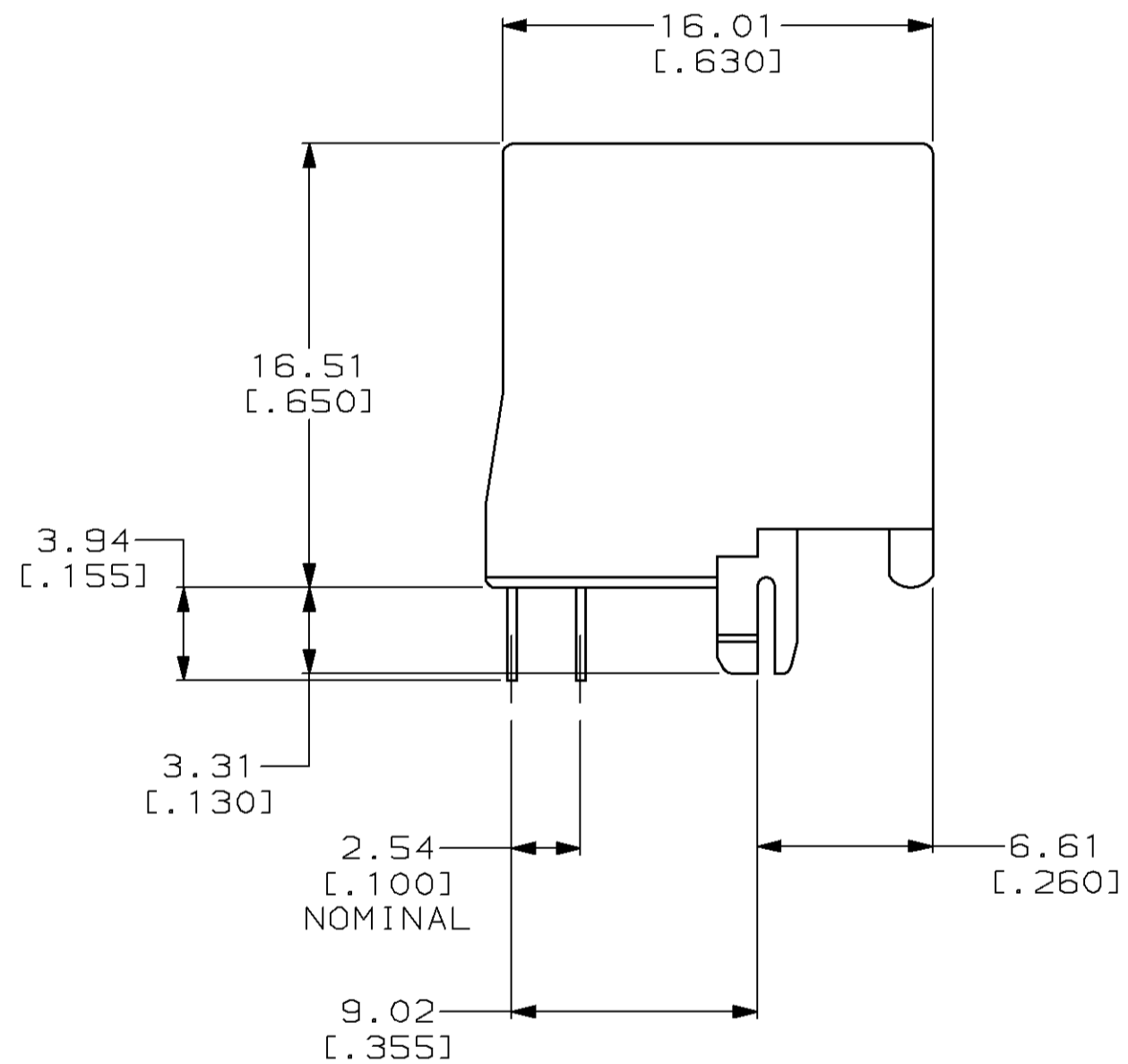
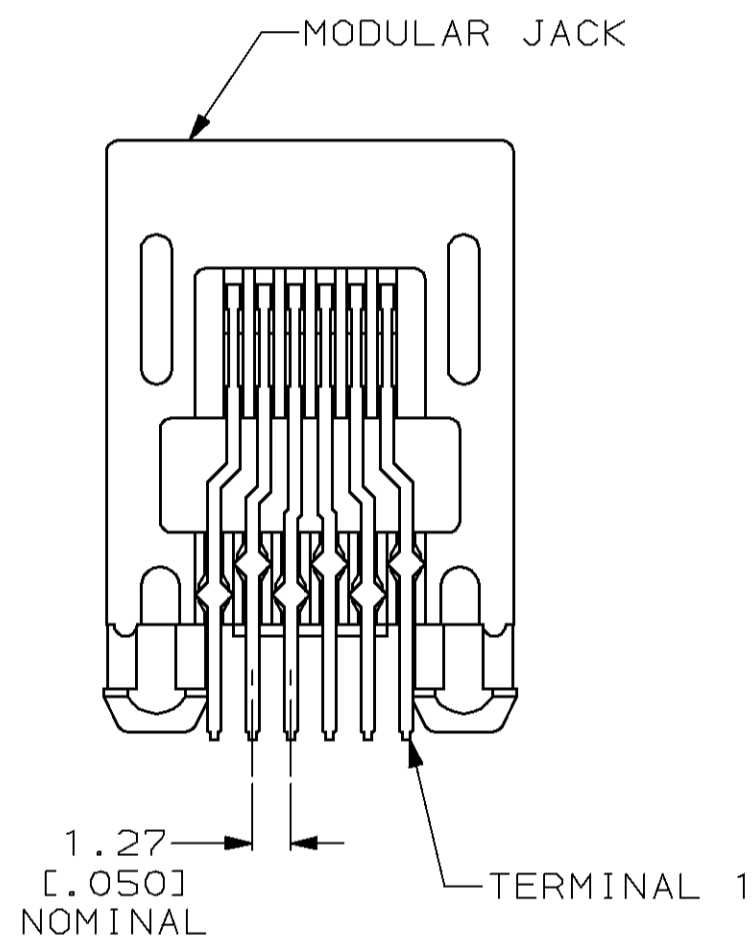


THIS DRAWING IS UNPUBLISHED. RELEASED FOR PUBLICATION
 © COPYRIGHT 19 BY AMP INCORPORATED. ALL RIGHTS RESERVED.

Loc		DIST		REVISIONS			
P	LTR	DESCRIPTION	DATE	DWN	APVD		
AA	22	H	OBS: -3; EC 0502-0849-97	21MAY98	DS	CB	



- ① MATERIAL:
HOUSING - PBT POLYESTER BLACK.
TERMINAL - PHOS-BRONZE PLATED WITH 1.27μm [.000050] THICK HARD GOLD IN LOCALIZED GOLD PLATE AREA AND 2.03μm [.000080] THICK TIN-LEAD IN SOLDER AREA AVER 1.27μm [.000050] THICK NICKEL UNDERPLATE.
- ② CAVITY CONFORMS TO FCC RULES AND REGULATIONS PART 68 AND REA BULLETIN 345-.81 PE-76 SPECIFICATION FOR MODULAR TELEPHONE HARDWARE.
- ③ DIMENSION ARE MAXIMUM UNLESS OTHERWISE SPECIFIED.
- ④ BULK PACKAGE IN A TRAY



④	6	520425-3
④	4	520425-2
PACKAGED	TERMINALS	PART NO.

THIS DRAWING IS A CONTROLLED DOCUMENT FOR AMP INCORPORATED. IT IS SUBJECT TO CHANGE AND THE CONTROLLING ENGINEERING ORGANIZATION SHOULD BE CONTACTED FOR THE LATEST REVISION.		DWN T. SPRINKLE 04DEC95	AMP Incorporated Harrisburg, PA 17105-3608	
DIMENSIONS: mm [INCHES]		CHK C. WHITT 07DEC95	NAME K. WILLIN 07DEC95	
TOLERANCES UNLESS OTHERWISE SPECIFIED: 0 PLC ±- 1 PLC ±- 2 PLC ±- 3 PLC ±- 4 PLC ±- ANGLES ±- FINISH ±-		APVD K. WILLIN 07DEC95	PRODUCT SPEC 108-1392	
MATERIAL ①		APPLICATION SPEC 114-2048	SIZE A2	CAGE CODE 00779
		WEIGHT -	DRAWING NO C-520425	
		CUSTOMER DRAWING	SCALE 4:1	SHEET 1 OF 1
			REV H	

520425