

High Frequency Ceramic Solutions

Low Pass Filter, 2.4GHz. Mini EIA 0402, SMD low loss for Bluetooth (BLE), IoT, WiFi, V2X, Wearables, ISM, etc.

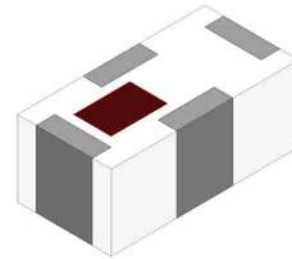
1/N 2450LP07C0100

Detail Specification: 11/15/2017

Page 1 of 3

Automotive AEC-Q200 available by request:

General Specifications	
Frequency (MHz)	2400 - 2500
Insertion Loss (dB)	0.4 typ (0.6max @25C, 0.7max @-40to+85)
Return Loss (dB)	11 typ. (9.5 min.)
Attenuation (dB)	34 dB @ 2 x fo
Attenuation (dB)	35 dB @ 3 x fo
Power Capacity (W)	3W max. (CW)
Operating Temperature	-40 to +85°C
Storage Temperature	-40 to +85°C
Recommended Storage Conditions (unused product still in T&R)	+5 ~ +35 °C, Humidity 45~75%RH



Part Number Explanation

P/N Suffix	Packing Style	Bulk	Suffix = S	2450LP07C0100S
		T & R (10K/reel)	Suffix = T	2450LP07C0100T (Reel Size: 10,000pcs)
	Termination style	100% Tin	Suffix = None	2450LP07C0100(T or S)
	50Ω SMA Connector Eval Board	2450LP07C0100-EB1SMA (orderable p/n)		

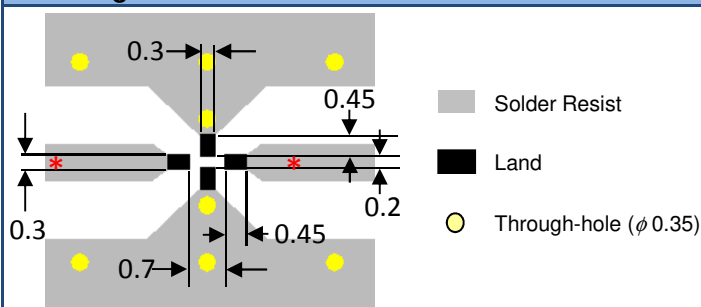
Mechanical Dimensions

	In	mm
L	0.039 ± 0.002	1.00 ± 0.05
W	0.020 ± 0.002	0.50 ± 0.05
T	0.016 max.	0.40 max.
a	0.012 ± 0.004	0.30 ± 0.10
b	0.012 ± 0.004	0.30 ± 0.10
c	0.004 ± 0.002	0.10 ± 0.05
d	0.014 ± 0.004	0.35 ± 0.10

Terminal Configuration

1	GND
2	IN/OUT
3	GND
4	IN/OUT

Mounting Considerations



*Trace must be designed to a 50Ω characteristic impedance based on PCB material and thickness.

Want the layout file or need us to revise your layout (free!) to make sure is correct? Send us a message at:

www.johansontechnology.com/ask-a-question

Johanson Technology, Inc. reserves the right to make design changes without notice.

All sales are subject to Johanson Technology, Inc. terms and conditions.



4001 Calle Tecate • Camarillo, CA 93012 • TEL 805.389.1166 FAX 805.389.1821

Ver. 1.0

2017 Johanson Technology, Inc. All Rights Reserved

www.johansontechnology.com

High Frequency Ceramic Solutions

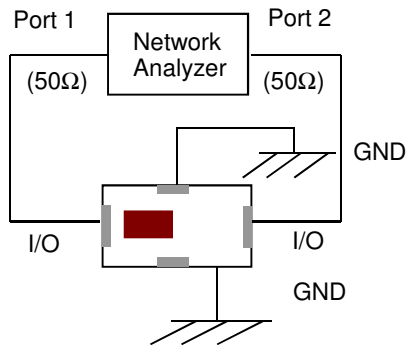
Low Pass Filter, 2.4GHz. Mini EIA 0402, SMD low loss for
Bluetooth (BLE), IoT, WiFi, V2X, Wearables, ISM, etc.

1/N 2450LP07C0100

Detail Specification: 11/15/2017

Page 2 of 3

Measuring Diagram

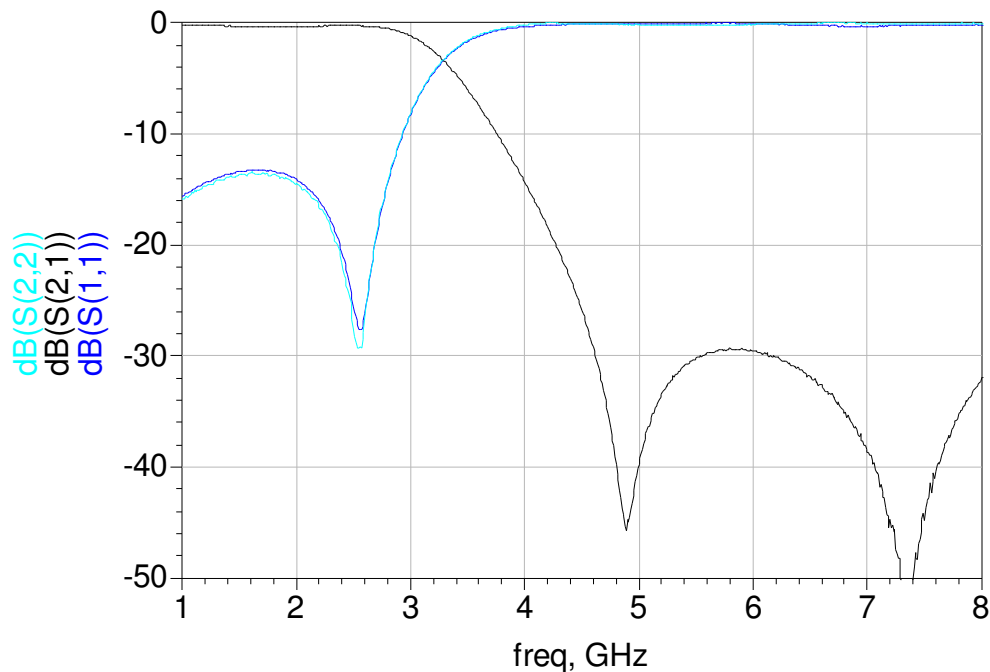


Click here Order the SMA-ready Evaluation Board with this filter mounted, p/n is: 2450LP07C0100-EB1SMA

www.johansontechnology.com/request-a-

Typical Electrical Performance (T=25°C)

Insertion Loss & Attenuation



Johanson Technology, Inc. reserves the right to make design changes without notice.
All sales are subject to Johanson Technology, Inc. terms and conditions.



www.johansontechnology.com
4001 Calle Tecate • Camarillo, CA 93012 • TEL 805.389.1166 FAX 805.389.1821
Ver. 1.0

2017 Johanson Technology, Inc. All Rights Reserved

High Frequency Ceramic Solutions

**Low Pass Filter, 2.4GHz. Mini EIA 0402, SMD low loss for
Bluetooth (BLE), IoT, WiFi, V2X, Wearables, ISM, etc.**

1/N 2450LP07C0100

Detail Specification: 11/15/2017

Page 3 of 3

Low-pass Filters

www.johansontechnology.com/low-pass-filters

Packaging Information

www.johansontechnology.com/tape-reel-packaging

Soldering Information

www.johansontechnology.com/typical-soldering-profile

RoHS Compliance

www.johansontechnology.com/rohs-compliance

MSL Info

www.johansontechnology.com/msl-rating

To Download Measured S-parameters for Evaluation and Simulation:

www.johansontechnology.com/low-pass-filters

For layout review contact our Applications Team at:

www.johansontechnology.com/ask-a-question

Johanson Technology, Inc. reserves the right to make design changes without notice.
All sales are subject to Johanson Technology, Inc. terms and conditions.



www.johansontechnology.com
4001 Calle Tecate • Camarillo, CA 93012 • TEL 805.389.1166 FAX 805.389.1821
Ver. 1.0

2017 Johanson Technology, Inc. All Rights Reserved