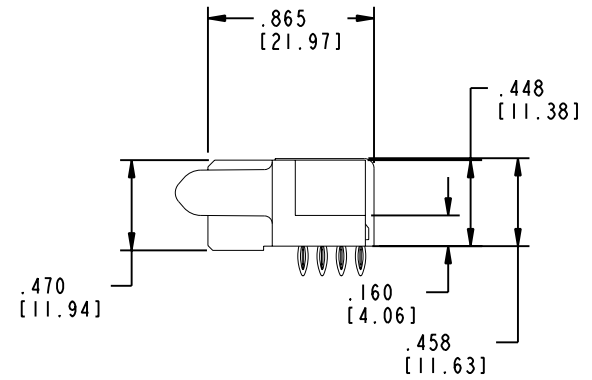
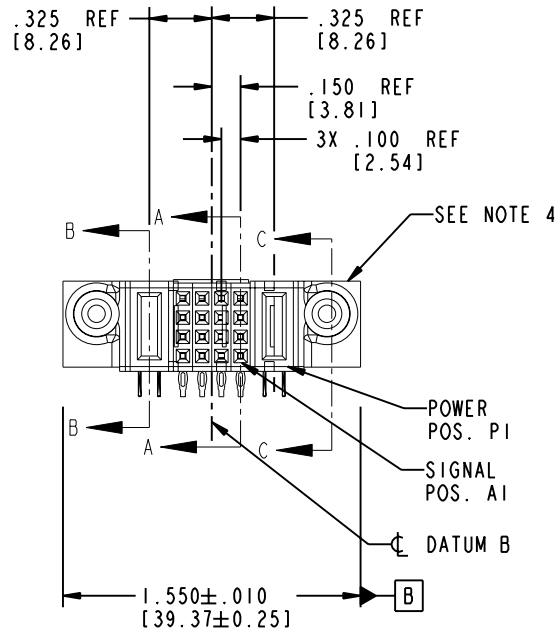
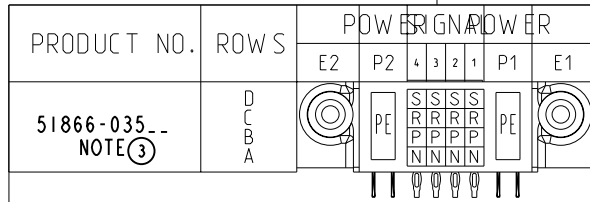


Tous droits strictement réservés. Reproduction ou communication a des tiers interdite sous quelque forme que ce soit sans autorisation écrite du propriétaire. Propriété de c FCI. Droits de reproduction FCI.



All rights strictly reserved. Reproduction or issue to third parties in any form whatever is not permitted without written authority from the proprietor. Property of FCI. Copyright FCI.



CODE	DIM "M" MATING LENGTH	CONTACT TYPE
PE	.042 [1.07]	POWER
S	N/A [N/A]	SIGNAL
R	N/A [N/A]	SIGNAL
P	N/A [N/A]	SIGNAL
N	N/A [N/A]	SIGNAL

mat'l code SEE NOTE 2				tolerances unless otherwise specified		CUSTOMER		 www.fciconnect.com	
ltr	ecn no.	dr	date	linear	.XX±.01/0.XX±0.3		COPY		title IP + 16S + IP R/A PRESS-FIT RECEPTACLE
A	DG05-0190	SW	05/20/05	angles	.XXX±.005/0.XX±0.13		projection		
					.XXX±.002/0.XX±0.051				
				dr	STEVEN WANG	05/20/05	INCH/MM		product family
				enr	STEVEN WANG	05/20/05	scale		PwrBlade
				chr	VICTOR LIN	05/20/05	1:1		code
				appd	JOSEPH HSIA	05/20/05			213
sheet index	revision sheet	A	A	A	A				sheet
		1	2	3	4				1 of 4

Pro/E

cage code 22526

PDM: Rev:A

STATUS: Released

Printed: Dec 20, 2010

Tous droits strictement réservés. Reproduction ou communication a des tiers interdite sous quelque forme que ce soit sans autorisation écrite du propriétaire. Propriété de c FCI. Droits de reproduction FCI.

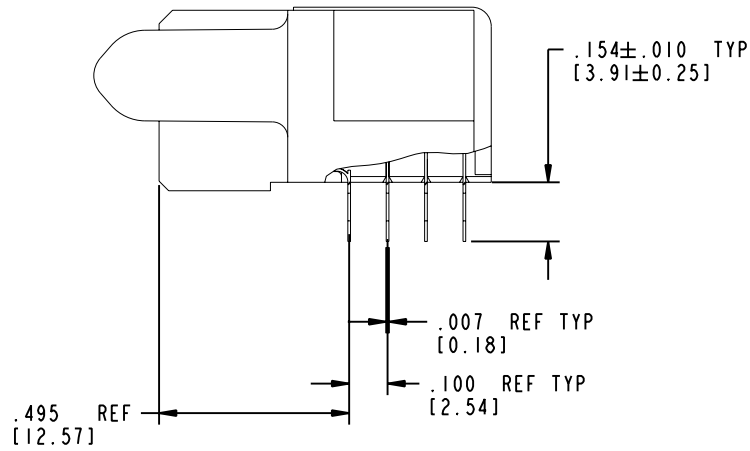
A **FCI**

All rights strictly reserved. Reproduction or issue to third parties in any form whatever is not permitted without written authority from the proprietor. Property of FCI. Copyright FCI.

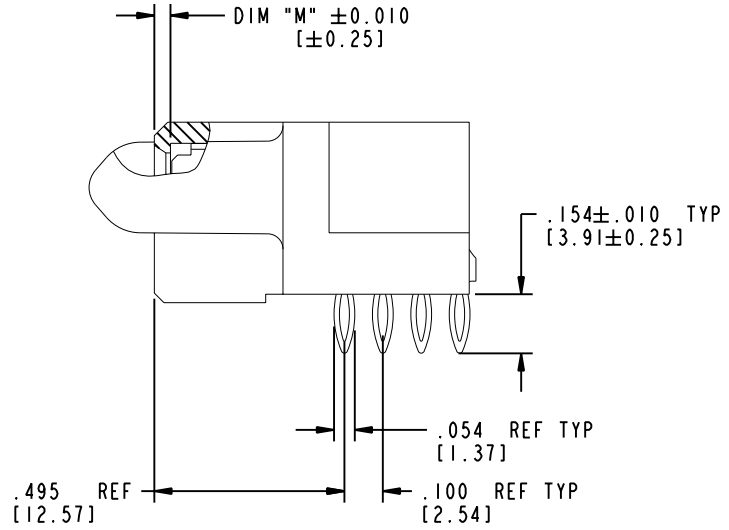
A

A

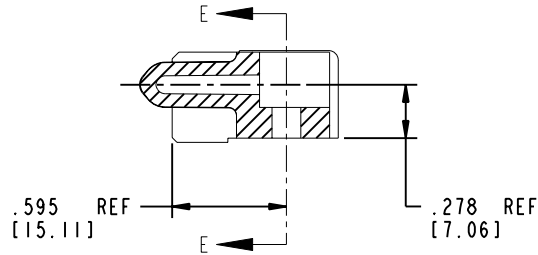
PRODUCT NUMBER
51866-035
NOTE ③



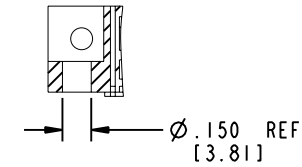
BROKEN-OUT SECTION A-A
SCALE 2:1



BROKEN-OUT SECTION B-B
SCALE 2:1



SECTION C-C



PARTIAL SECTION E-E

mat'l code				SEE NOTE 2		tolerances unless otherwise specified		CUSTOMER		 www.fciconnect.com	
ltr	ecn no.	dr	date	linear	.XX ± .01 / 0.XX ± 0.3		COPY		 title IP + 16S + IP R/A PRESS-FIT RECEPTACLE		
A					.XXX ± .005 / 0.XX ± 0.13		projection				
					angles	.XXX ± .0020 / 0.XX ± 0.051		 INCH/MM scale 1:1		size dwg no 51866-035 sheet 2 of 4	
				dr	STEVEN WANG	05/20/05					
				enr	STEVEN WANG	05/20/05					
				chr	VICTOR LIN	05/20/05					
				appd	JOSEPH HSIA	05/20/05					
sheet index		revision sheet								cage code 22526	

B

B

Pro/E

3

cage code **22526**

4

PDM: Rev:A

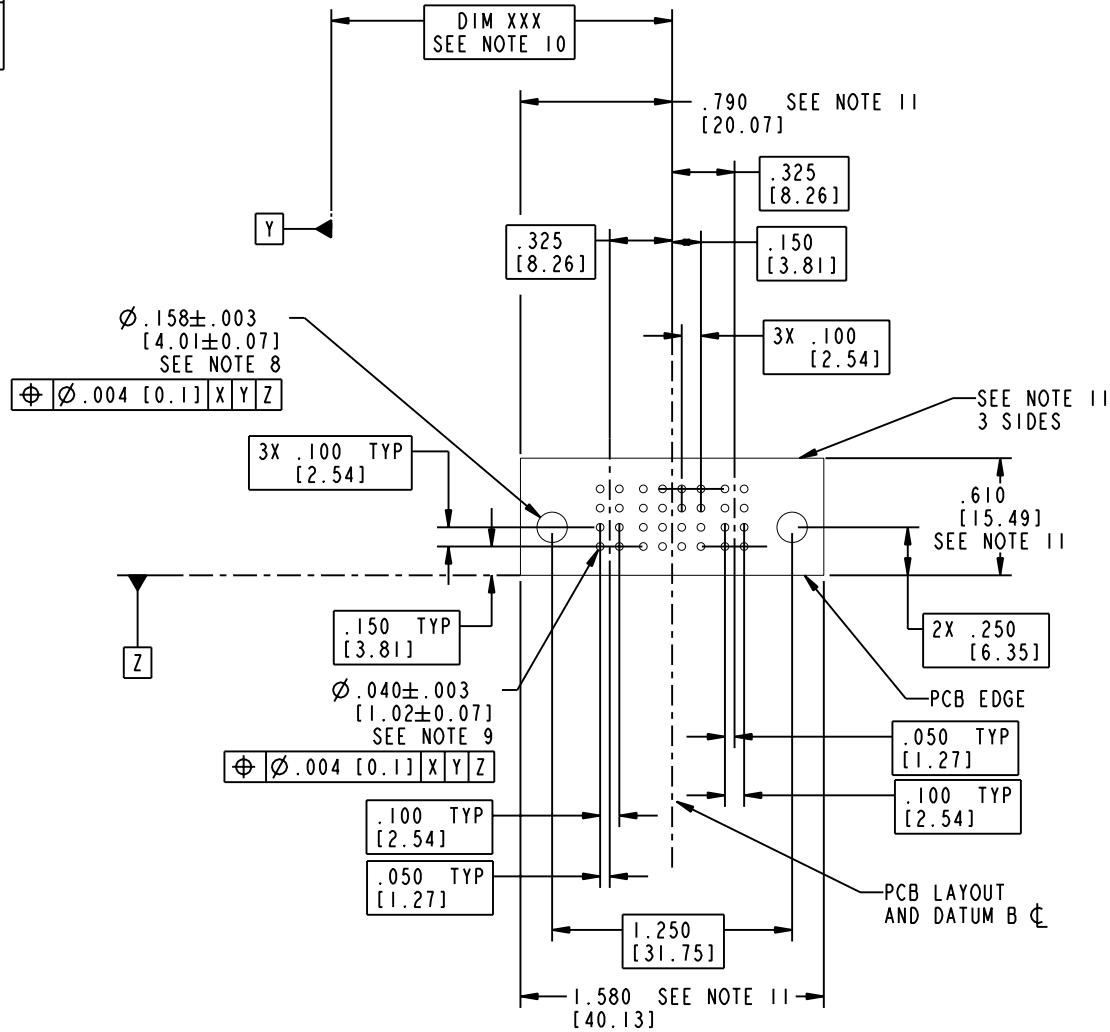
STATUS: Released


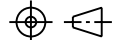
Printed: Dec 20, 2010

Tous droits strictement réservés. Reproduction ou communication o des tiers interdite sous quelque forme que ce soit sans autorisation écrite du propriétaire. Propriété de c FCI. Droits de reproduction FCI.

All rights strictly reserved. Reproduction or issue to third parties in any form whatever is not permitted without written authority from the proprietor. Property of FCI. Copyright FCI.

PRODUCT NUMBER
51866-035
NOTE ③



mat'l code				SEE NOTE 2		tolerances unless otherwise specified		CUSTOMER		 www.fciconnect.com	
ltr	ecn no.	dr	date	linear	.XX±.01/0.X±0.3	projection		COPY		title	
A				angles	.XXX±.005/0.XX±0.13			INCH/MM		IP + 16S + IP R/A PRESS-FIT RECEPTACLE	
				dr	.XXX±.0020/0.XXX±0.051	scale		product family		code	
				engr	0° ± 2°	1:1		PwrBlade		213	
				chr				size		sheet	
				appd				51866-035		3 of 4	
sheet index		revision sheet									

Pro/E

cage code **22526**

PDM: Rev:A

STATUS: Released

Printed: Dec 20, 2010

Tous droits strictement réservés. Reproduction ou communication a des tiers interdite sous quelque forme que ce soit sans autorisation écrite du propriétaire. Propriété de c FCI. Droits de reproduction FCI.

A FCI

All rights strictly reserved. Reproduction or issue to third parties in any form, whenever is not permitted without written authority from the proprietor. Property of FCI. Copyright FCI.

B

PRODUCT NUMBER

51866-035..
NOTE ③

NOTES:

1. DIMENSIONS AND TOLERANCES ARE IN ACCORDANCE WITH ASME Y14.5M, 1994 UNLESS OTHERWISE SPECIFIED.

CONNECTOR NOTES:

② HOUSING MATERIAL: UL 94 V-0 GLASS FILLED

HIGH-TEMP THERMOPLASTIC
POWER CONTACT MATERIAL: COPPER ALLOY
SIGNAL PIN MATERIAL: COPPER ALLOY

3. PLATING:

51866-035 Singal Pin:30u"/0.76um Au OVER 50u"/1.27um Ni ON CONTACT AREA.
AND 100u"/2.54um SnPb PLATING OVER 50u"/1.27um Ni ON THE TERMINATION SECTION.
Power Pin:30u"/0.76um Au OVER 50u"/1.27um Ni ON THE CONTACT AREA,
AND 100u"/2.54um SnPb PLATING OVER 50u"/1.27um Ni ON THE TERMINATION SECTION.

51866-035LF Singal Pin:30u"/0.76um Au OVER 50u"/1.27um Ni ON CONTACT AREA.
AND 78u"/2.00um Sn PLATING OVER 50u"/1.27um Ni ON THE TERMINATION SECTION.
Power Pin:30u"/0.76um Au OVER 50u"/1.27um Ni ON THE CONTACT AREA,
AND 78u"/2.00um Sn PLATING OVER 50u"/1.27um Ni ON THE TERMINATION SECTION.

PART NUMBER 51866-035LF MEETS EUROPEAN UNION DIRECTIVE AND OTHER COUNTRY REGULATIONS AS DESCRIBED IN GS-22-008.

THE HOUSING WILL WITHSTAND EXPOSURE TO 260° PEAK TEMPERATURE FOR 10 SECONDS IN A WAVE SOLDER APPLICATION WITH A CIRCUIT BOARD.

④ NO NEED TO MANUFACTURER'S NAME, P/N, AND DATE CODE TO APPEAR ON THIS SURFACE.

5. PRODUCT SPECIFICATION GS-12-149.
APPLICATION SPECIFICATION BUS-20-067.

6. PACKAGED IN TRAYS.

PCB NOTES:


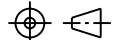

7. ALL HOLE DIAMETERS ARE FINISHED HOLE SIZE.

⑧ MOUNTING HOLES, WHERE APPLICABLE, ARE UNPLATED.

⑨ $\varnothing .0453 \pm .0010$ [1.151±0.025] DRILLED HOLES PLATED WITH .0003 [0.008] MIN SnPb OVER .001 [0.03] TO .003 [0.08] Cu PLATING TO ACHIEVE $\varnothing .040 \pm .003$ [1.02±.07] HOLE.

⑩ "DIM XXX" TO BE DETERMINED BY THE CUSTOMER.

⑪ CONNECTOR KEEP-OUT ZONE.
⑫ USE FCI CAM TOOL 430140-XXX TO APPLY CONNECTOR TO PCB.

mat'l code		SEE NOTE 2		tolerances unless otherwise specified		CUSTOMER		 FCI www.fciconnect.com	
ltr	ecn no.	dr	date	linear	.XX±.01/0.X±0.3	COPY		title	
A				projection	.XXX±.005/0.XX±0.13			IP + 16S + IP	
				angles	.XXX±.0020/0.XXX±0.051			R/A PRESS-FIT RECEPTACLE	
				dr	STEVEN WANG 05/20/05	INCH/MM		product family	
				enr	STEVEN WANG 05/20/05	scale		PwrBlade	
				chr	VICTOR LIN 05/20/05	1:1		code	
				appd	JOSEPH HSIA 05/20/05			213	
sheet index		revision sheet						size	
								dwg no	
								51866-035	
								sheet	
								4 of 4	

Pro/E

cage code **22526**

PDM: Rev:A

STATUS: **Released**

Printed: Dec 20, 2010