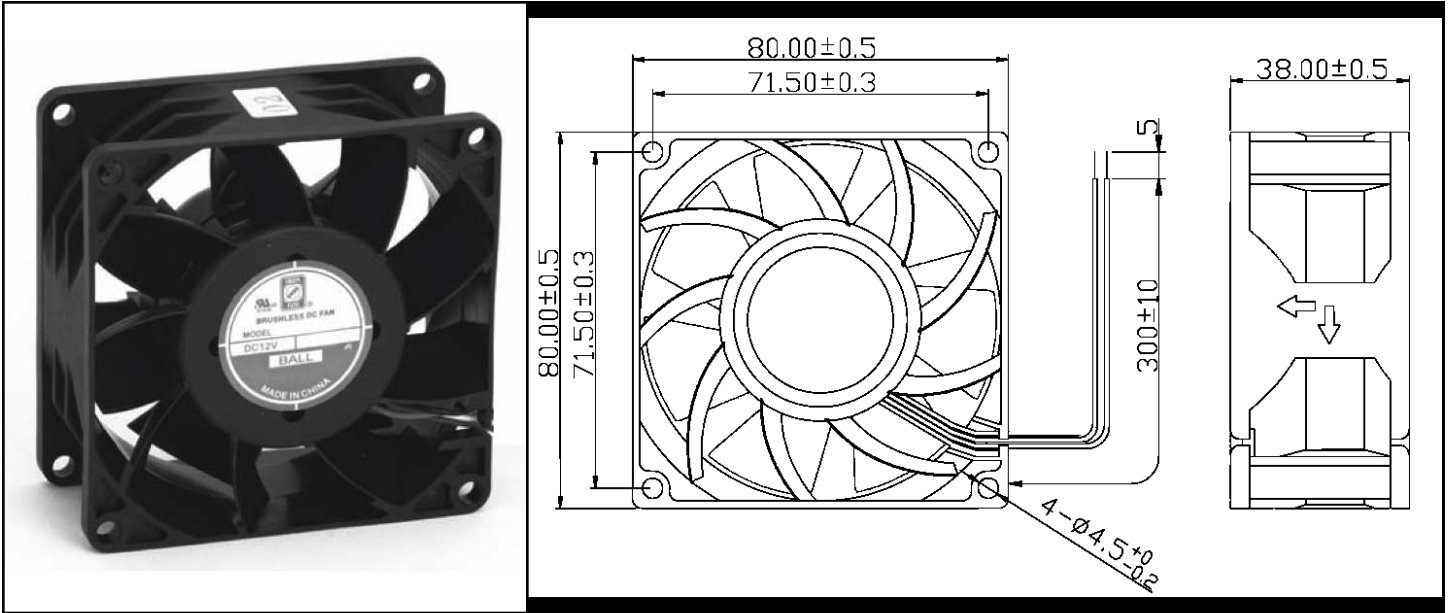


OD8038 'VA' Series



DC Fan - Vaneaxial
80x38mm (3.15"x 1.5")



Frame & Impeller	PBT, UL94V-O plastic	Date: 010318	
Connection	4x Lead wires 24awg*	Options	
Motor	Brushless DC, auto restart, polarity protected.	Tachometer Open Collector PWM Input **	
Bearing System	Dual ball bearing		
Insulation Resistance	Min. 10M at 500VDC		
Dielectric Strength	1 minute at 500VAC / 1 second, max leakage 500 microamp	* Connection	
Temperature Range	-10C ~ +70C	1. Black(GND)	
Storage Temperature	-40C ~ +80C	2. Red (Vcc)	
Life (L10)	70,000 hours (40C)	3. White (Tach)	
		4. Blue (PWM)	

Model Number	OD8038-24HBVXC10a
Part Number	188241261
Nominal Voltage	24 VDC
Nominal Current	.54 A
Rated Power	15.6 W
Rated Speed (RPM)	6300
Airflow (CFM)	99
Noise Level (dB)	57
Max. Static Pressure	0.81 "H ₂ O

