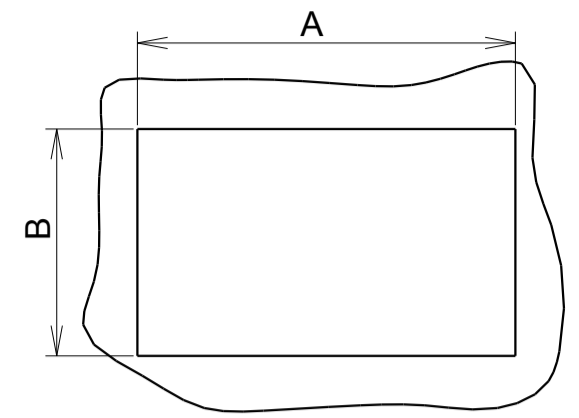
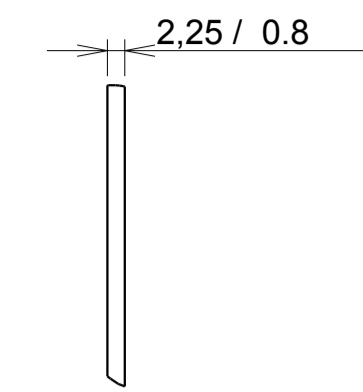
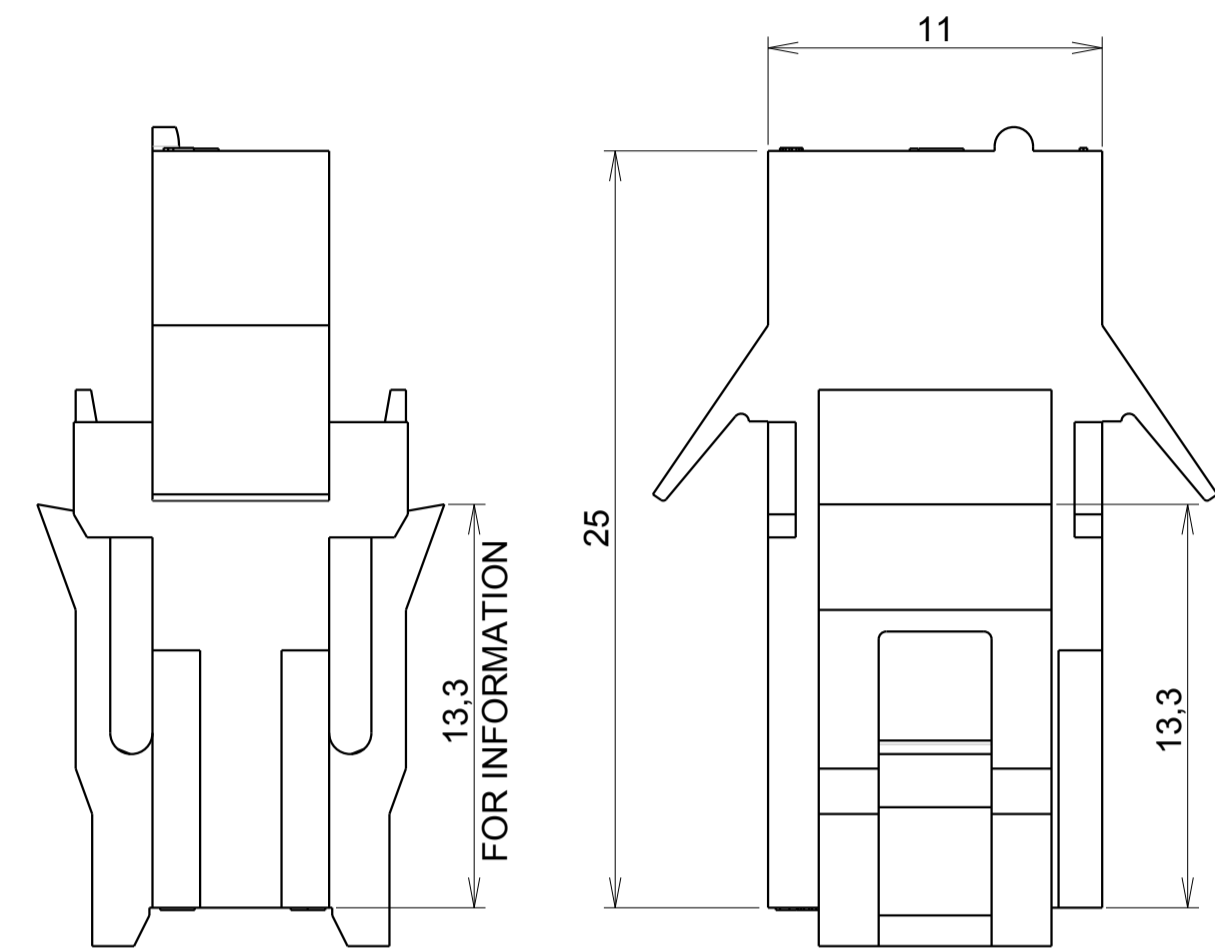
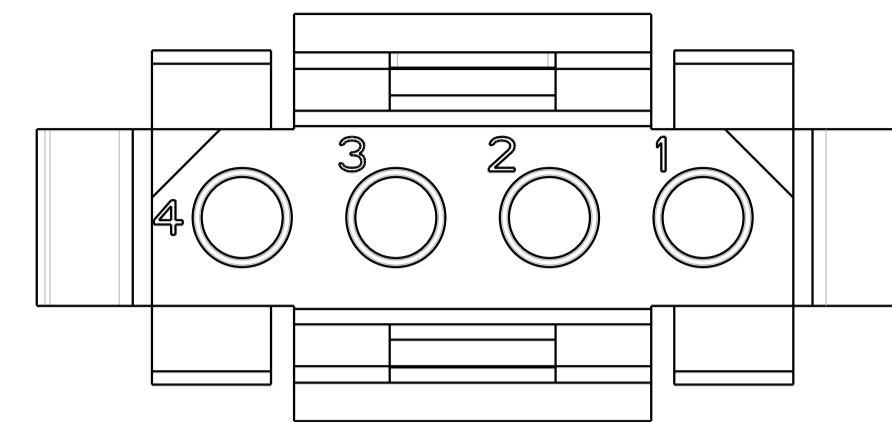
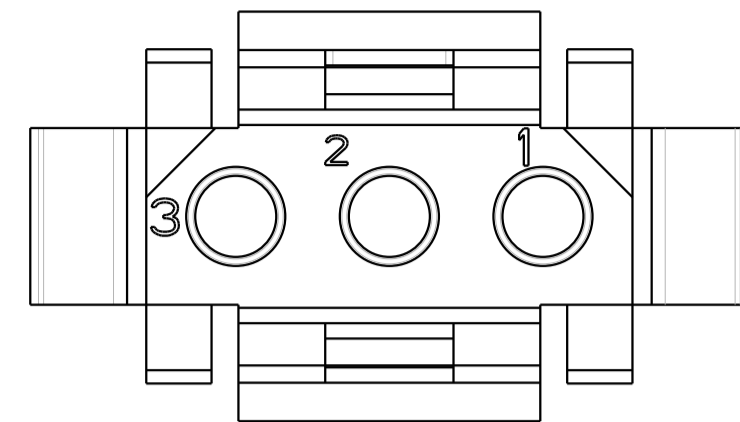
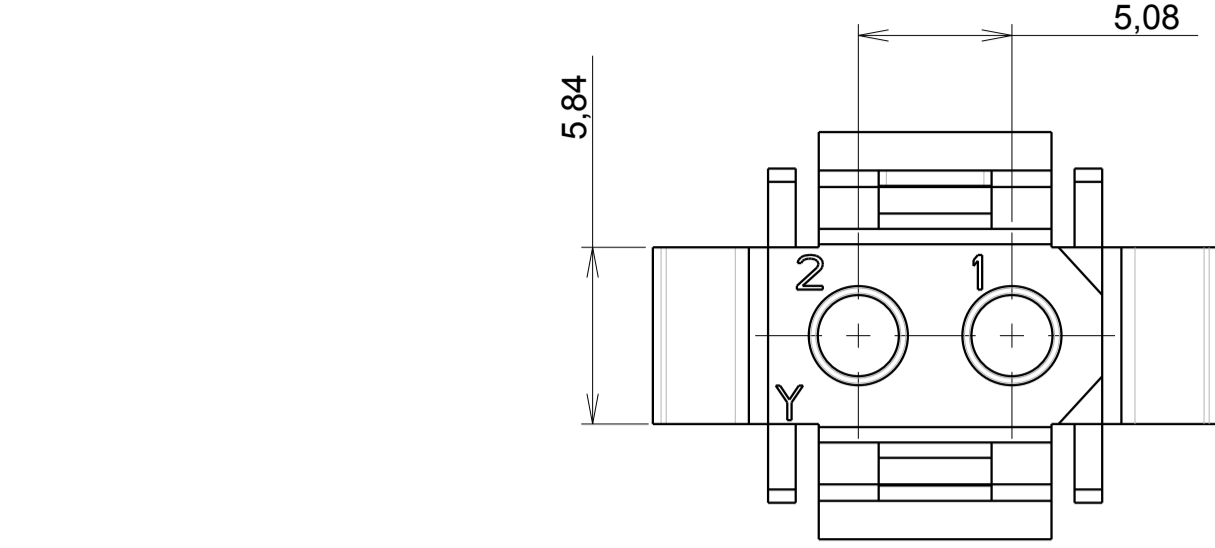


View on mating face

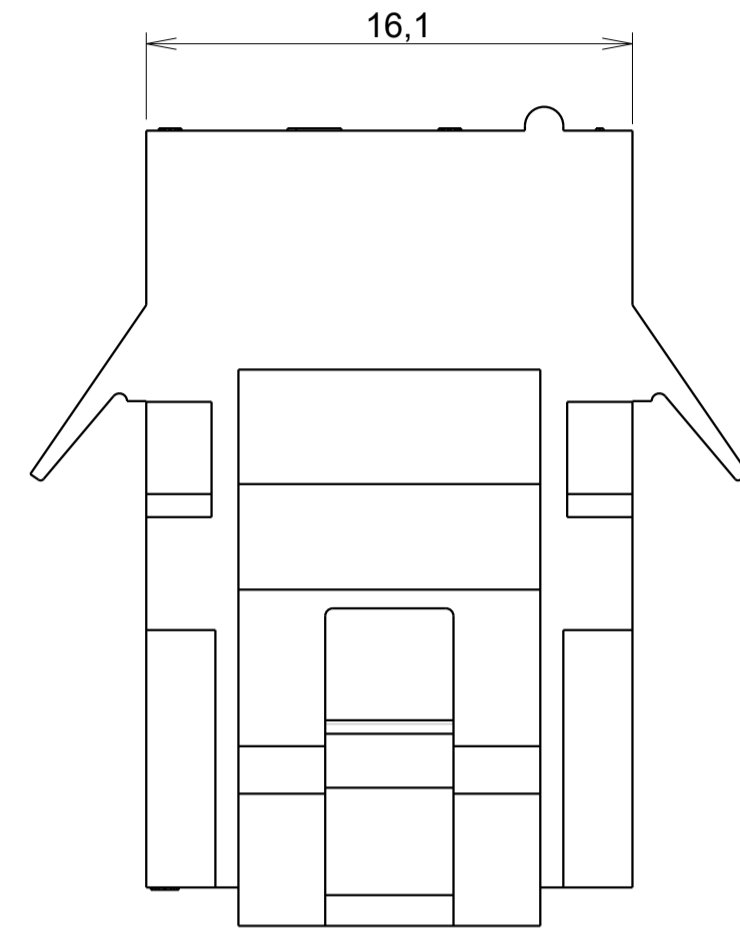
PANEL CUT OUT



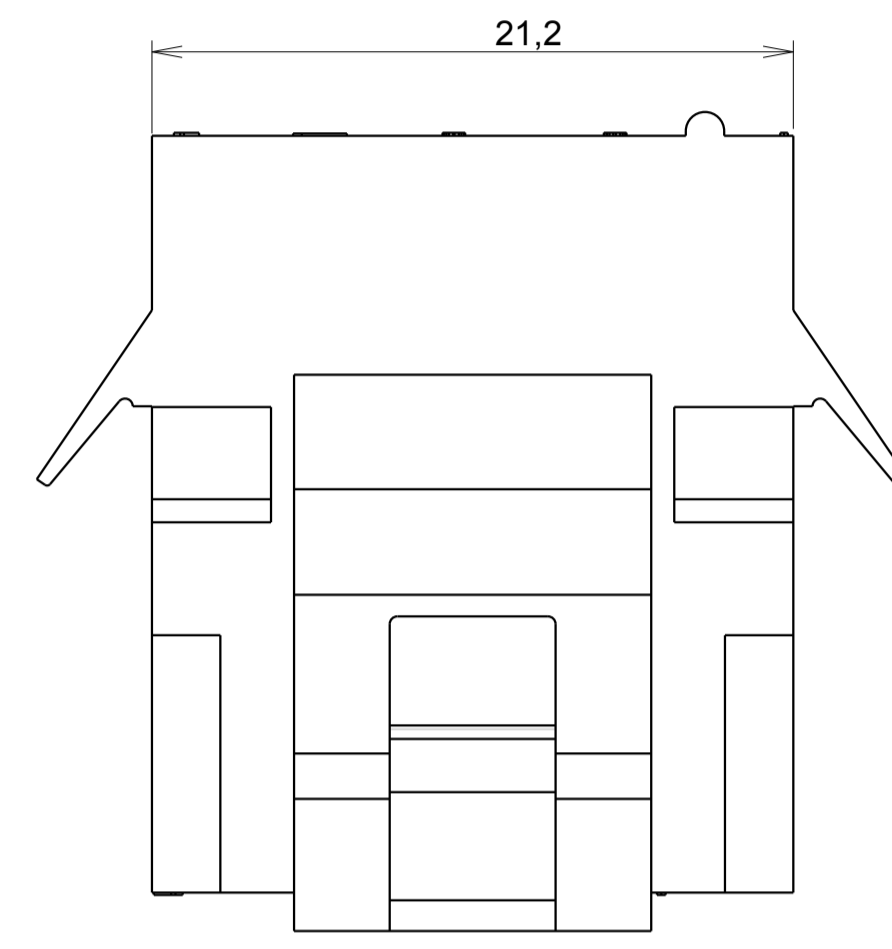
P / N :	WEIGHT (g)	A	B
SMS 2 R3	1,6	11,55	11,45
SMS 3 R3	2,2	11,55	16,5
SMS 4 R3	3,1	11,55	21,6
SMS 6 R3	3,8	16,65	16,5
SMS 9 R3	5,2	16,65	21,6
SMS 12 R3	6,8	16,65	26,7
SMS 15 R3	7,9	16,65	31,75
SMS 18 R3	9,5	16,65	36,8
SMS 24 R3	12,4	21,7	36,8
SMS 36 R3	18,5	26,7	47,1



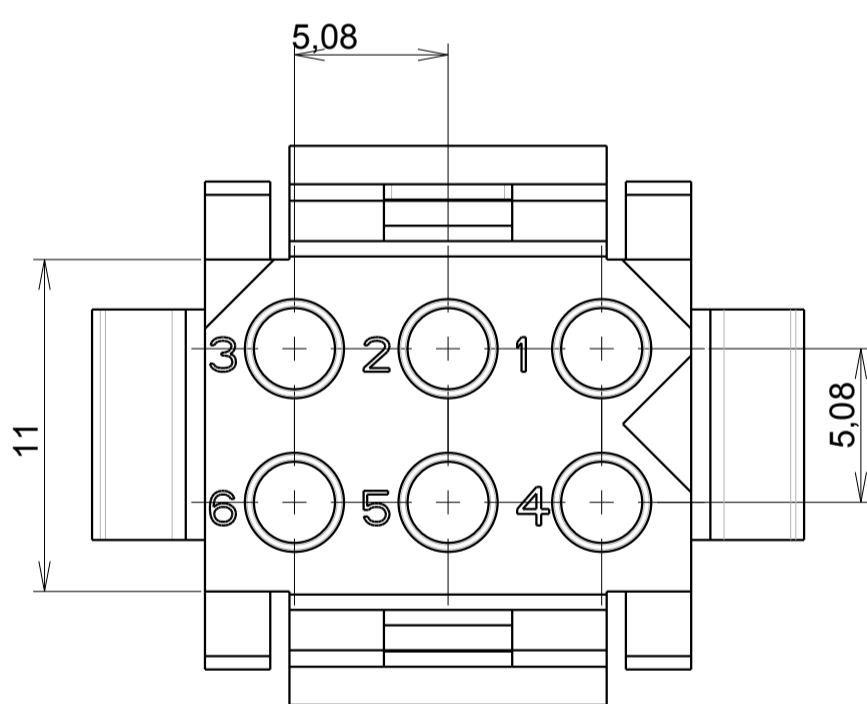
RECEPTACLE CONNECTOR
SMS2R3



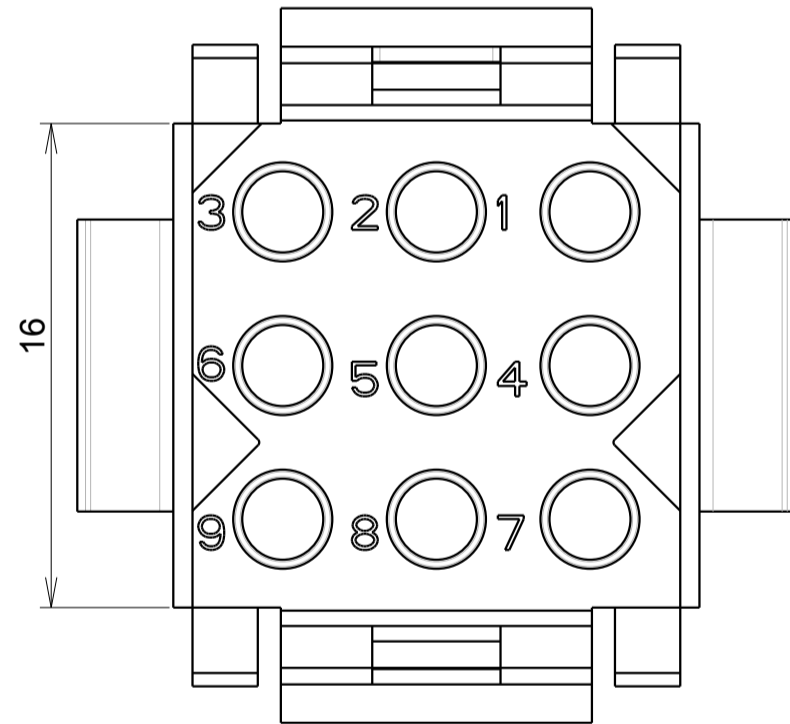
RECEPTACLE CONNECTOR
SMS3R3



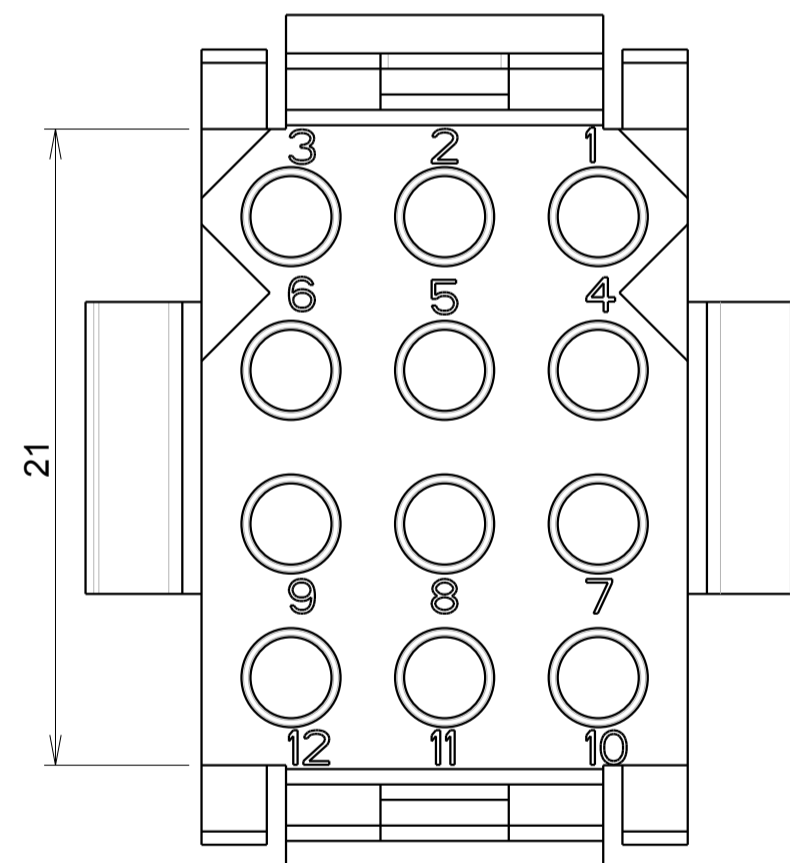
RECEPTACLE CONNECTOR
SMS4R3



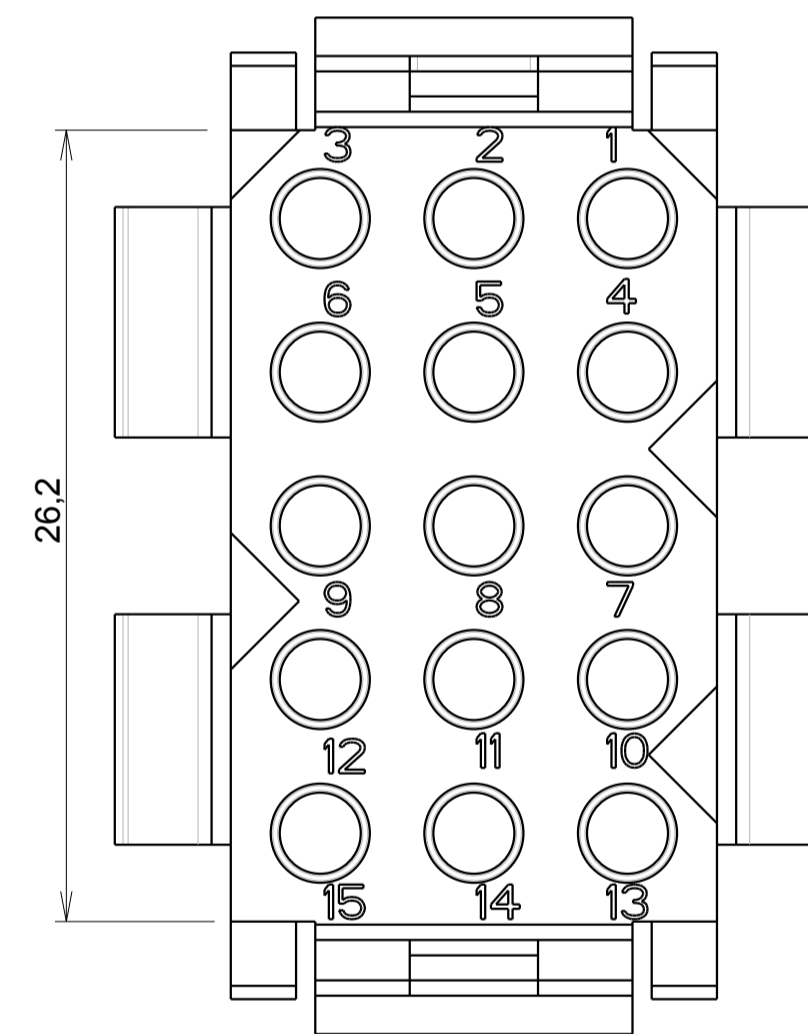
RECEPTACLE CONNECTOR
SMS6R3



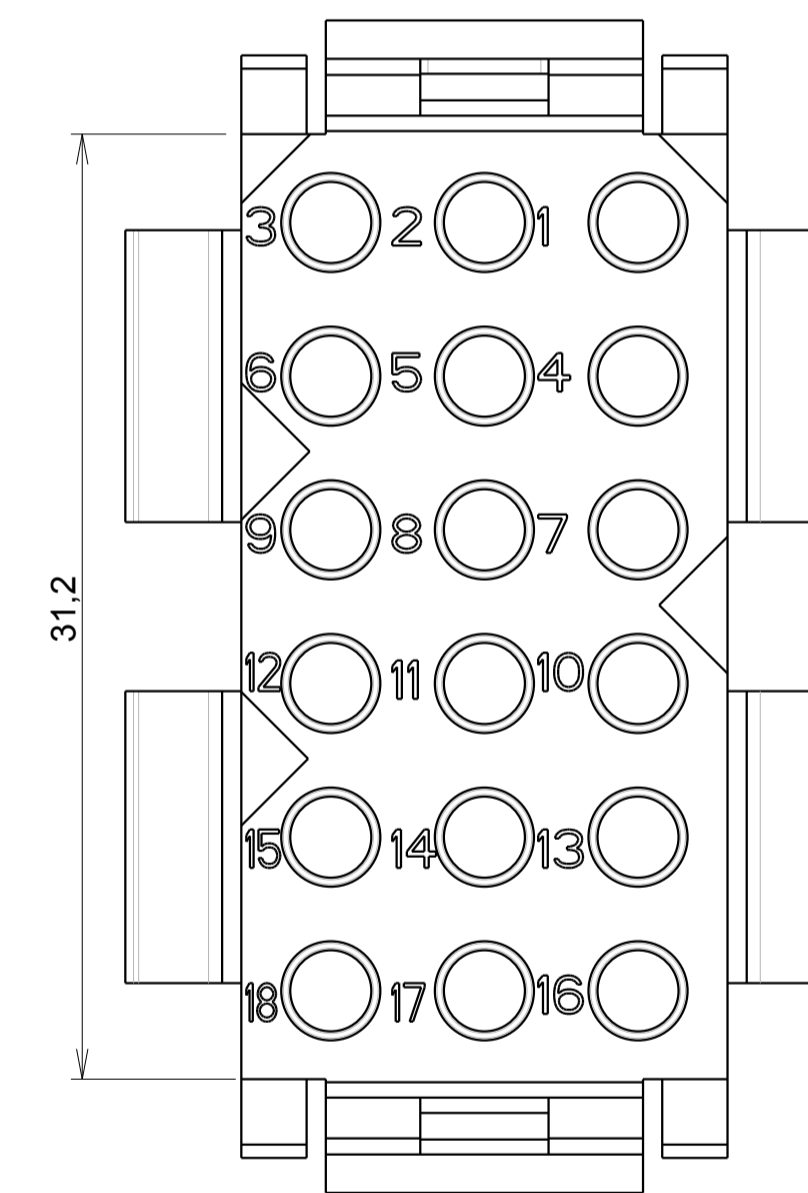
RECEPTACLE CONNECTOR
SMS9R3



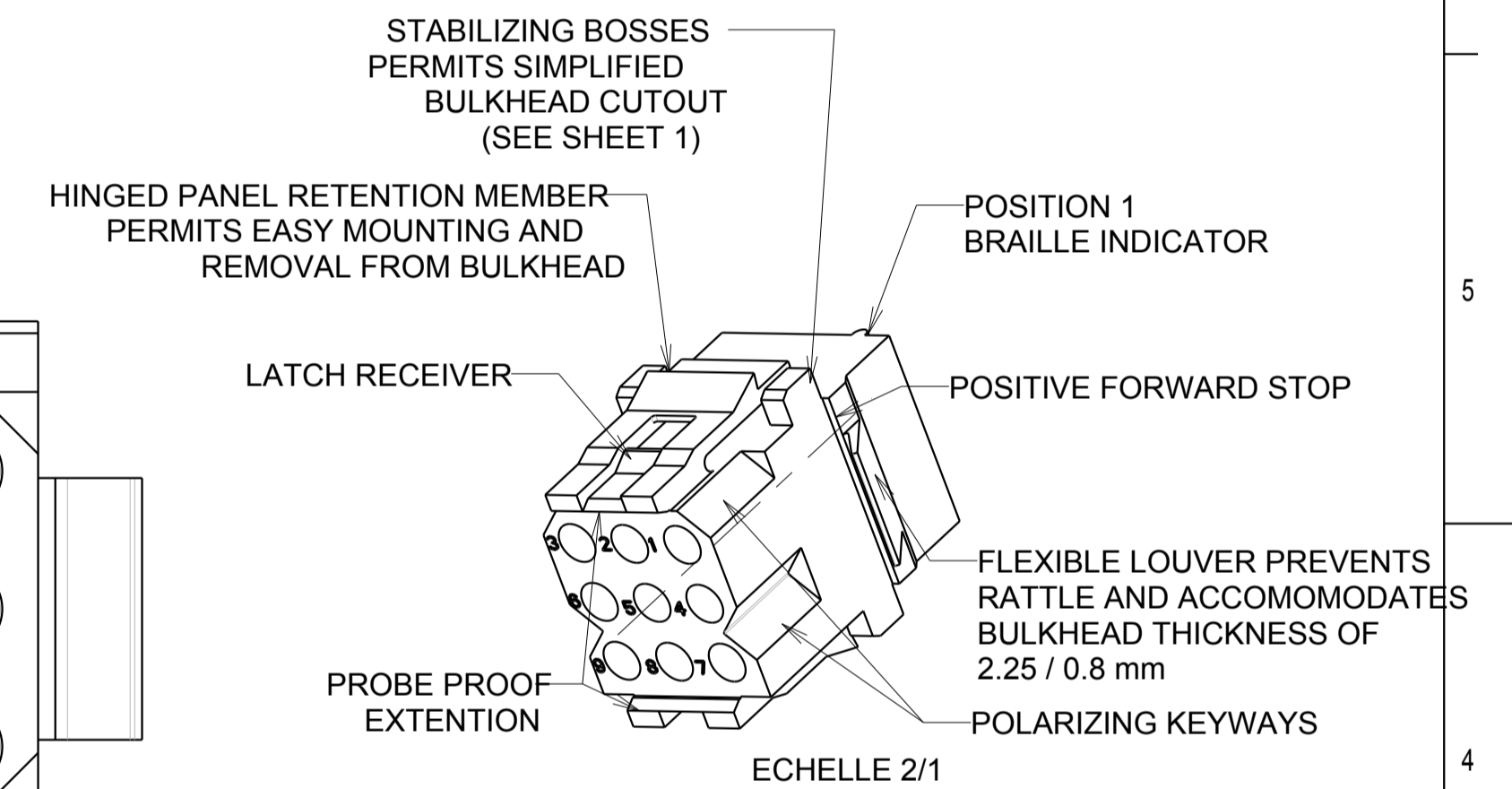
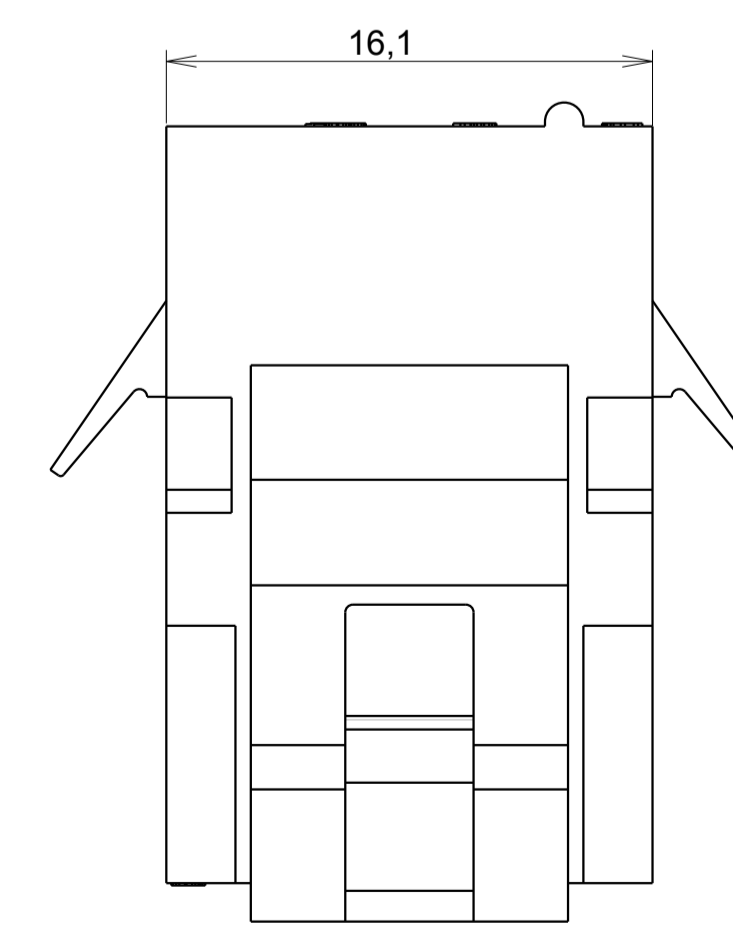
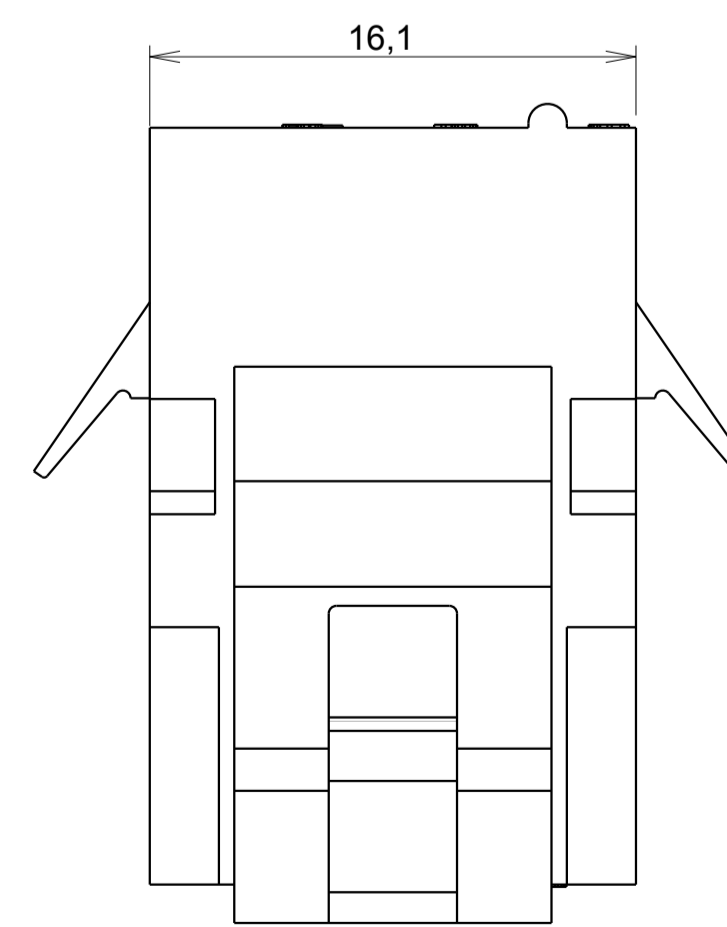
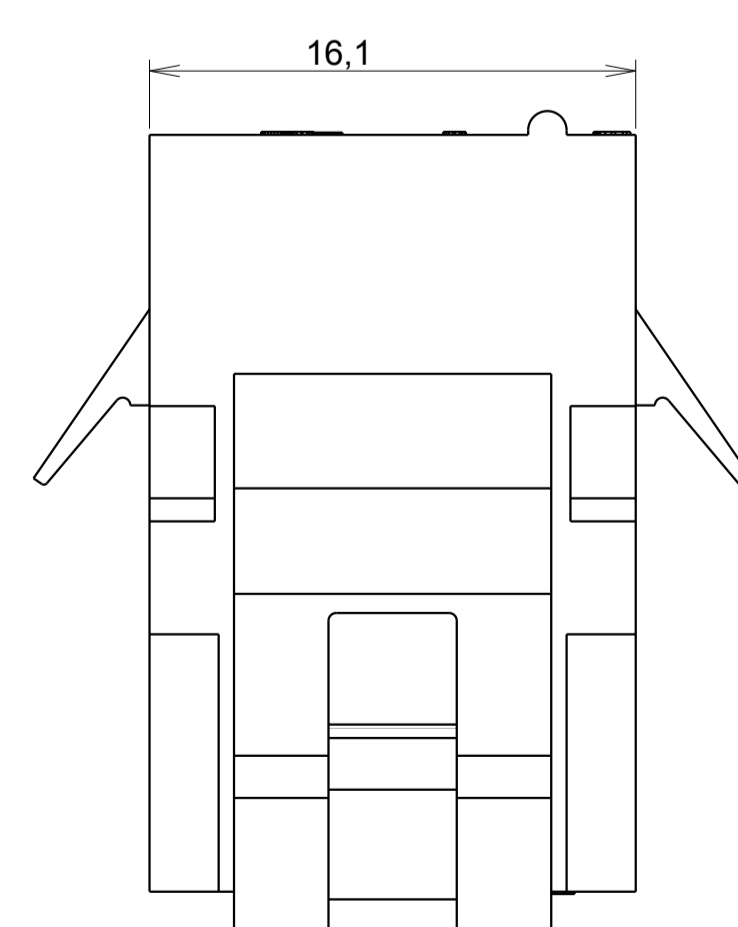
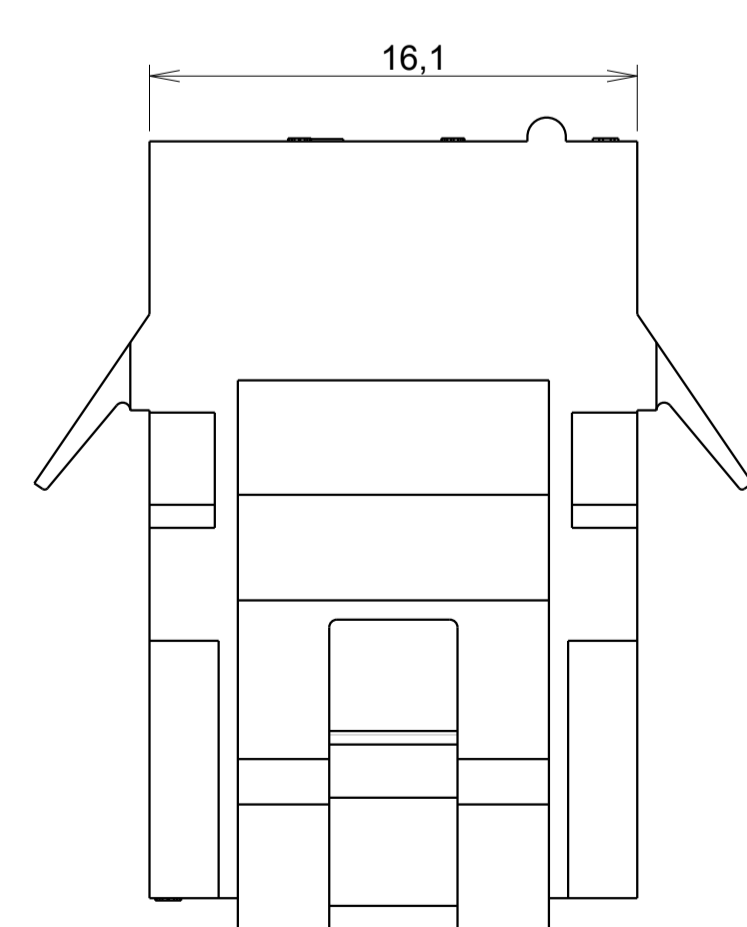
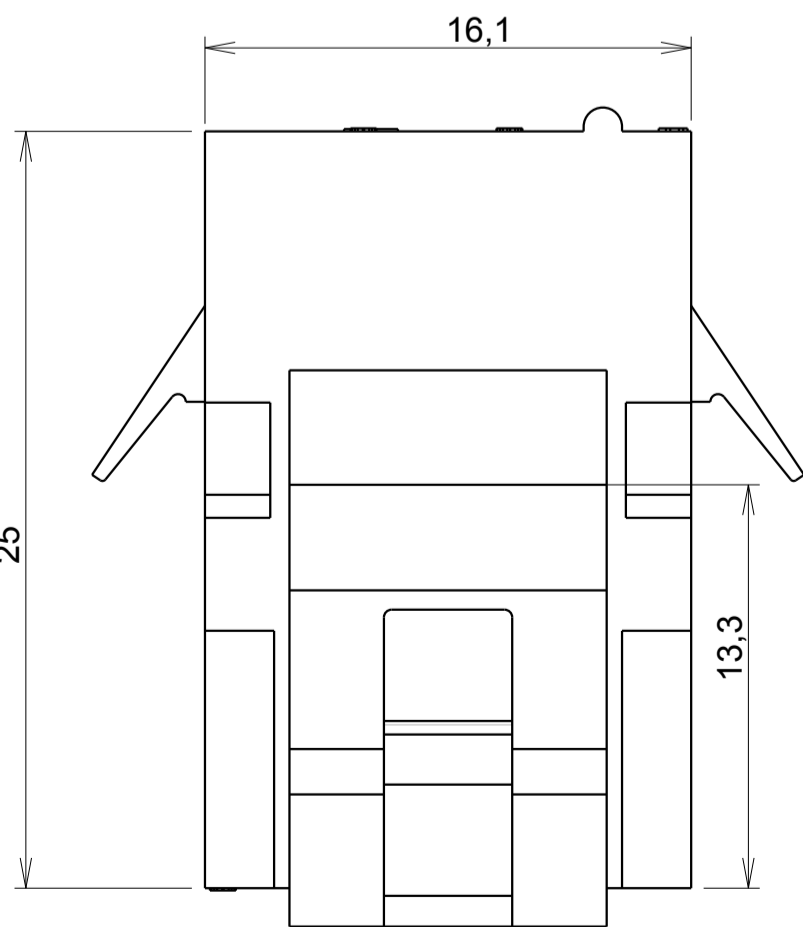
RECEPTACLE CONNECTOR
SMS12R3



RECEPTACLE CONNECTOR
SMS15R3



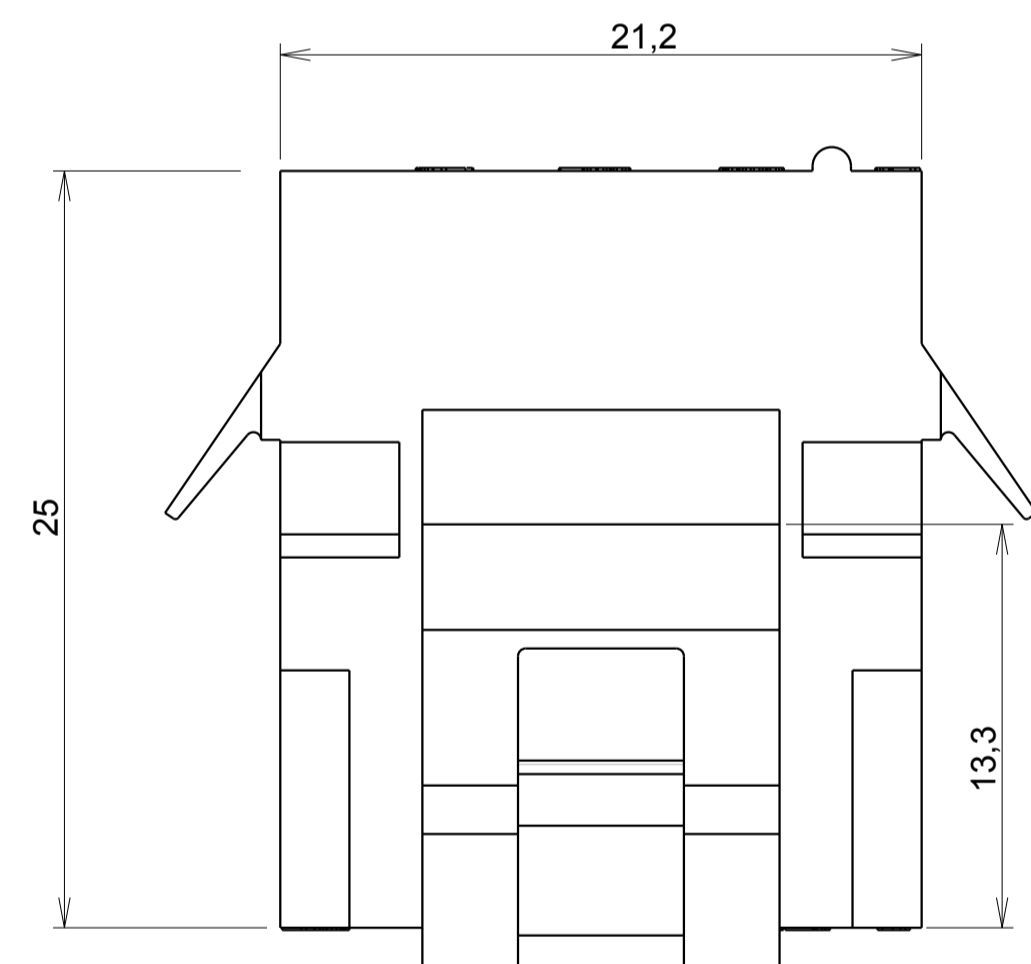
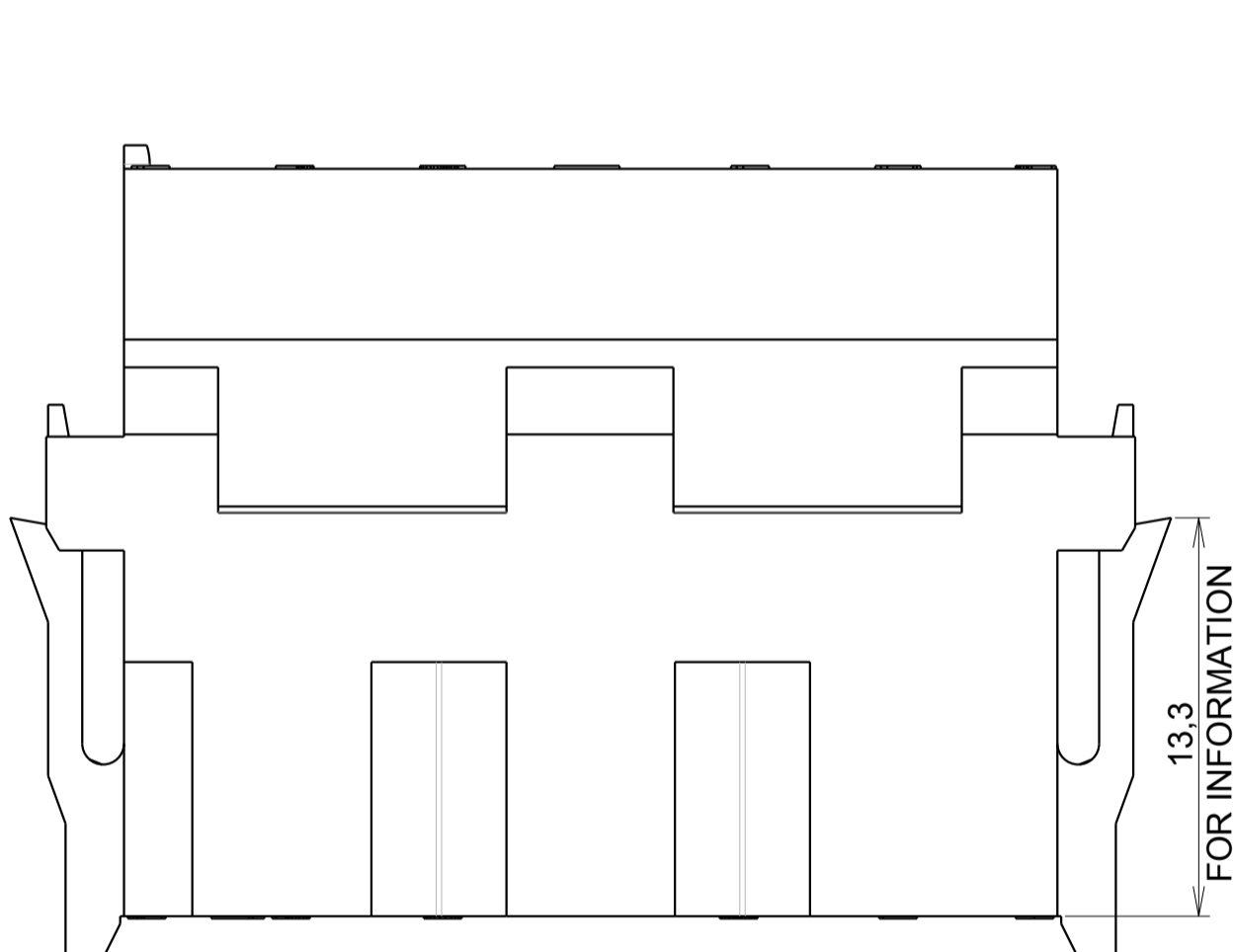
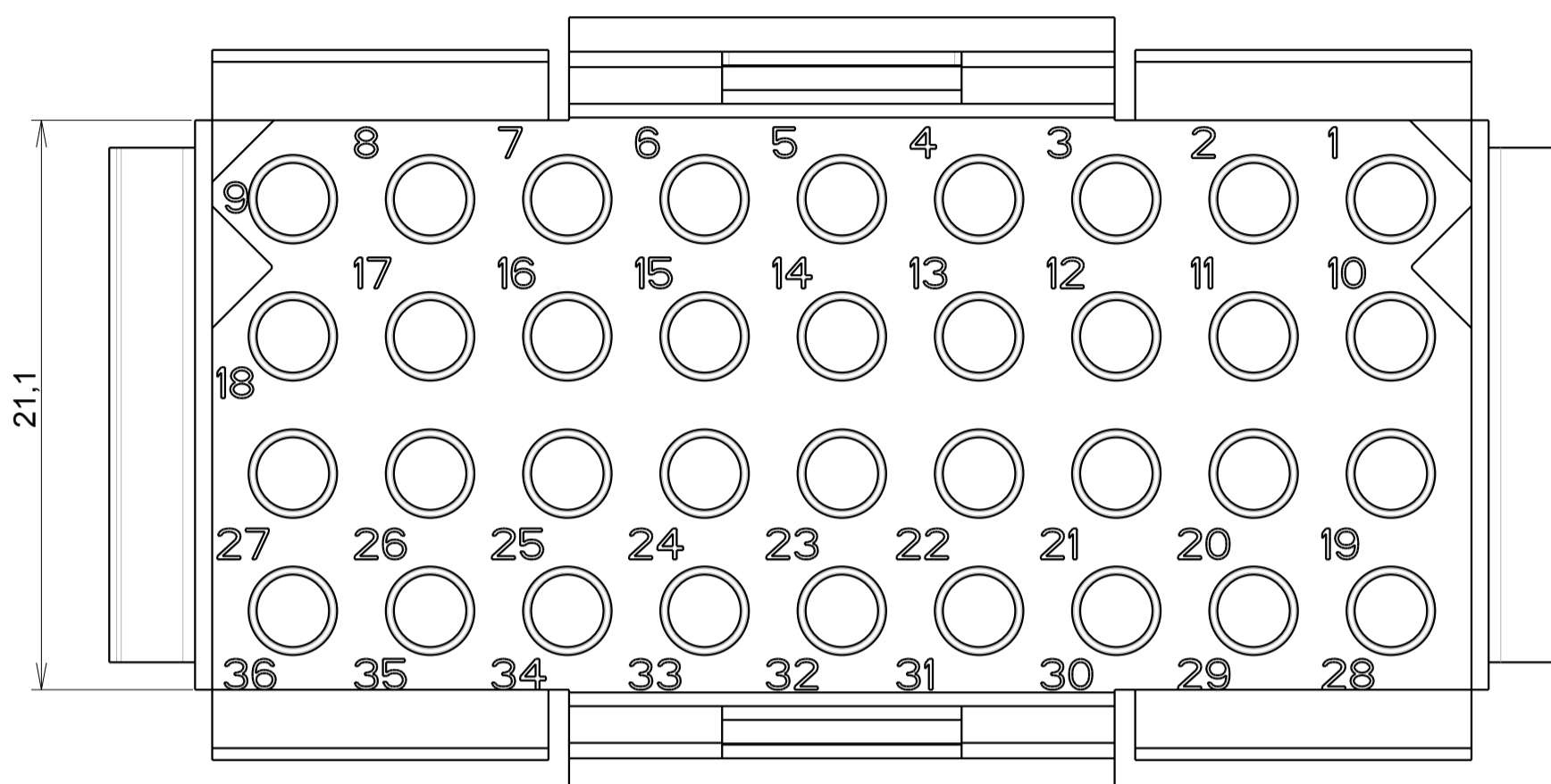
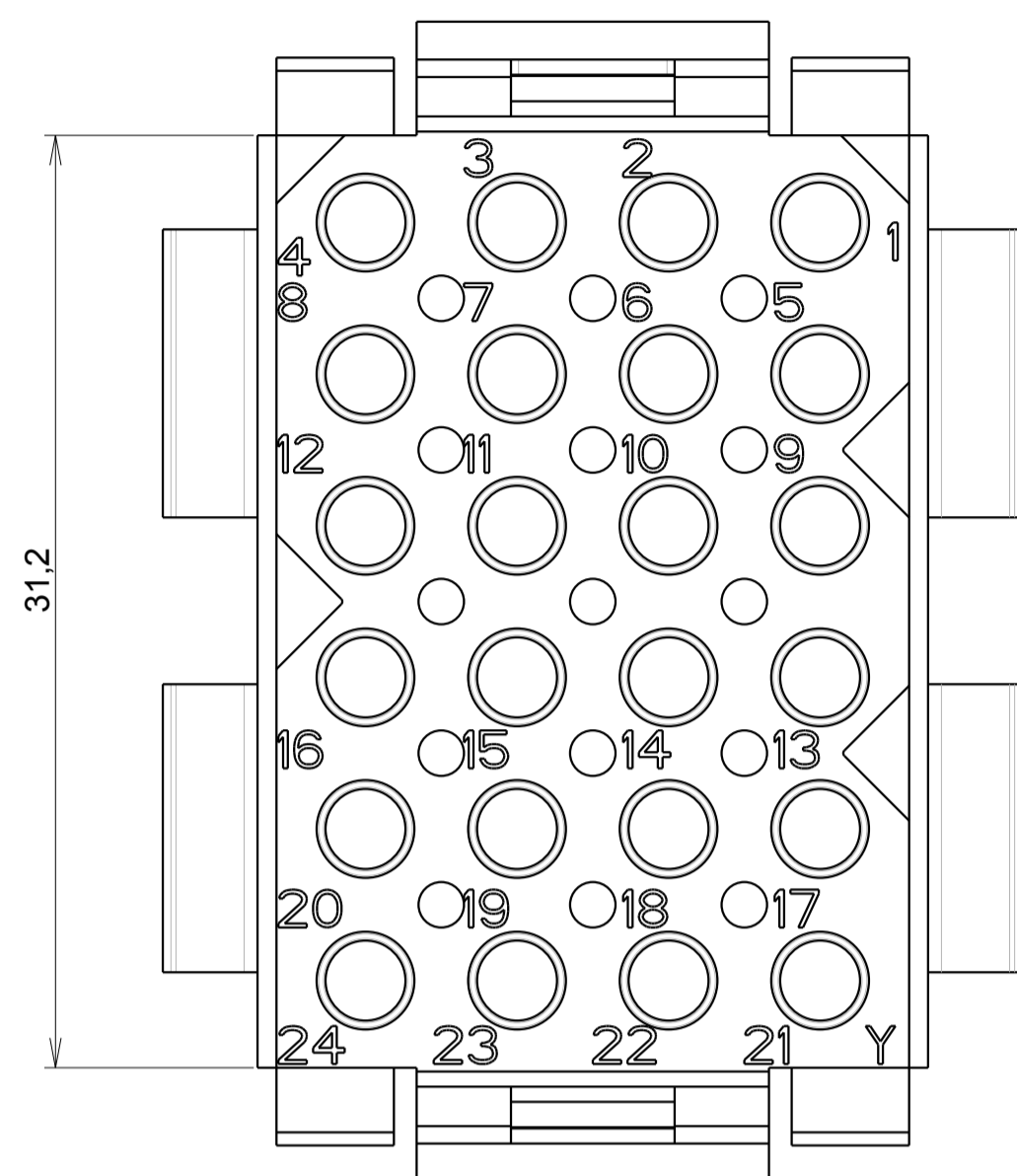
RECEPTACLE CONNECTOR
SMS18R3



P/N : SMSXXR3

C	19/05/14	Update title and add "view on rear face" on sheet 3	23552
ISS	DATE	Latest modification - by: BERTHOME A.	MOD N°
Designed by:	RAGAINÉ M.	Date: 07/05/09	CUSTOMER DRAWING
TITLE	RAILWAY SMS CONNECTOR WITH ALL MARK CAVITIES		
Scale	3/1	General linear Tolerances: ± 0.2	NPRDS / PROJECT IC081207A
SOURIAU WWW.SOURIAU.COM		This document is the property of SOURIAU. It must not be reproduced or communicated without permission.	
FORMAT	SOURIAU DRG N° BSC201424018		SHEET 1 / 3

View on mating face



RECEPTACLE CONNECTOR
SMS24R3

RECEPTACLE CONNECTOR
SMS36R3

CARACTERISTICS	PERFORMANCE
TEMPERATURE	-40°C TO 105°C
INSULATION RESISTANCE	5000 MEGAOHMS AT 500V D.C.
TEST POTENTIAL (1MIN DURATION) AT SEA LEVEL	2000V A.C.
CONTACT RETENTION IN CONNECTOR (MIN.)	44,5 N
CONNECTOR MATING FORCES	2 POSITIONS - 4,5 N 3 POSITIONS - 6,1 N 4 POSITIONS - 8,9 N 6 POSITIONS - 13,35 N 9 POSITIONS - 19,5 N 12 POSITIONS - 26,7 N 15 POSITIONS - 33 N 18 POSITIONS - 40 N 24 POSITIONS - 53,5 N 36 POSITIONS - 80 N
HUMIDITY (240 HRS. AT 40°C, 90-95 R.H.)	MEET INSULATION RESISTANCE AND TEST VOLTAGE REQUIREMENTS
DURABILITY	SHALL WITHAND 500 MATINGS AND UNMATINGS
MATERIAL	POLYAMID PA 6 / UL94-V0 COLOR GREY 13F2 in accordance with NF F 16101 and NF F 16102 standard

CONTACTS	THIS CONNECTOR MUST BE USED WITH #16 CONTACTS IT WILL ACCOMODATE WIRE INSULATION UP TO Ø 4.19 MAX. PLEASE REFER TRIM TRIO CATALOG
----------	---

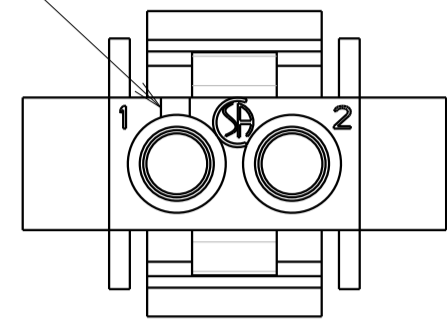
COUNTER PART :
SMS XX PX
SMS XX PDX
SMS XX PDHX
SEE SMS CATALOG

P/N : SMSXXR3

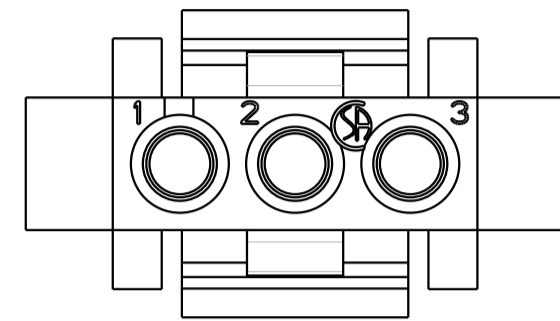
C	19/05/14	Update title and add "view on rear face" on sheet 3	23552
ISS	DATE	Latest modification - by: BERTHOME A.	MOD N°
Designed by:	RAGAINÉ M.	Date: 07/05/09	CUSTOMER DRAWING
TITLE	RAILWAY SMS CONNECTOR WITH ALL MARK CAVITIES		
Scale	3/1	General linear Tolerances: ± 0.2	NPRDS / PROJECT IC081207A
SOURIAU		WWW.SOURIAU.COM	This document is the property of SOURIAU It must not be reproduced or communicated without permission
FORMAT	SOURIAU DRG N° A1 BSC201424018		SHEET 2 / 3

View on rear face

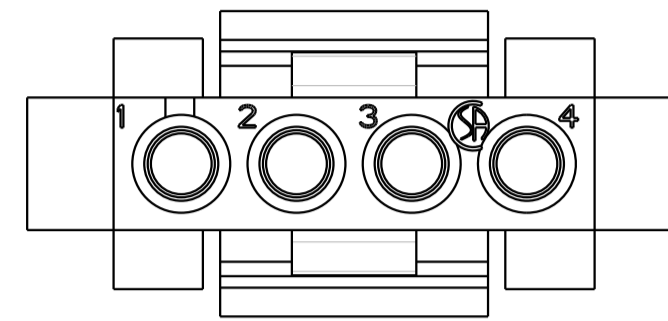
Position 1 Braille indicator



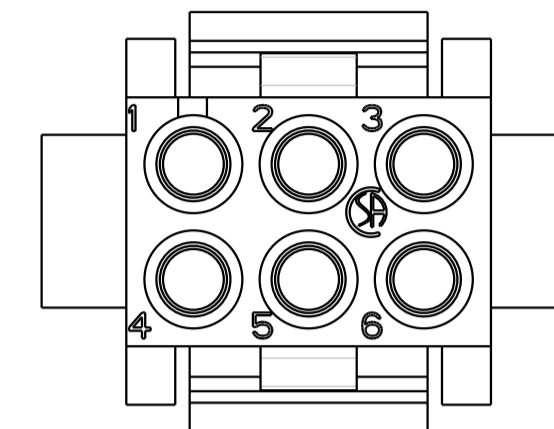
RECEPTACLE CONNECTOR
SMS2R3



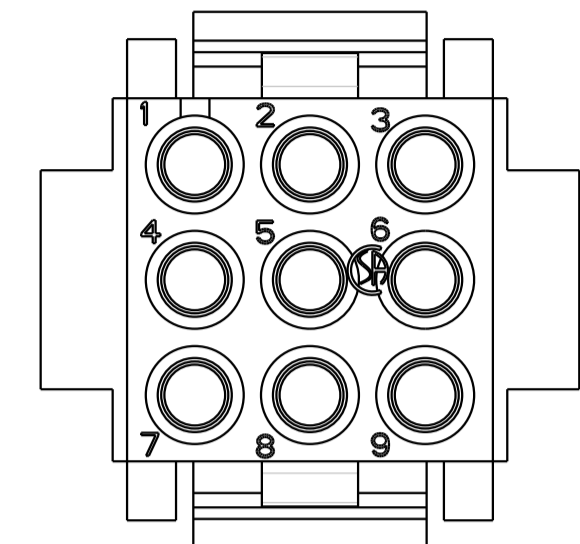
RECEPTACLE CONNECTOR
SMS3R3



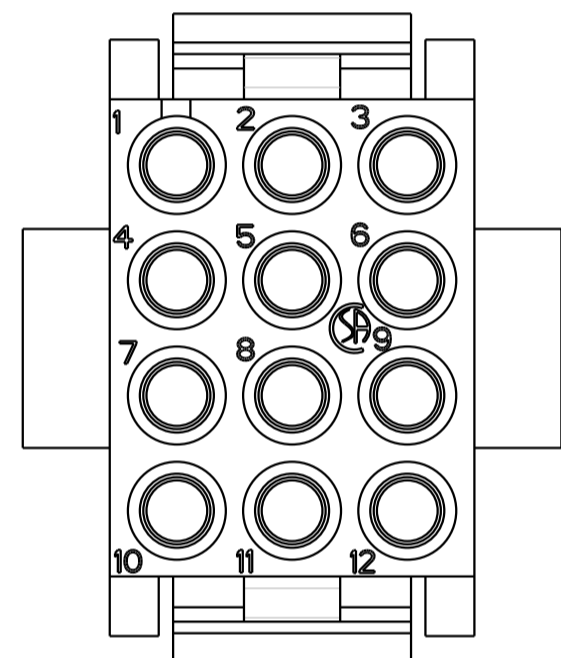
RECEPTACLE CONNECTOR
SMS4R3



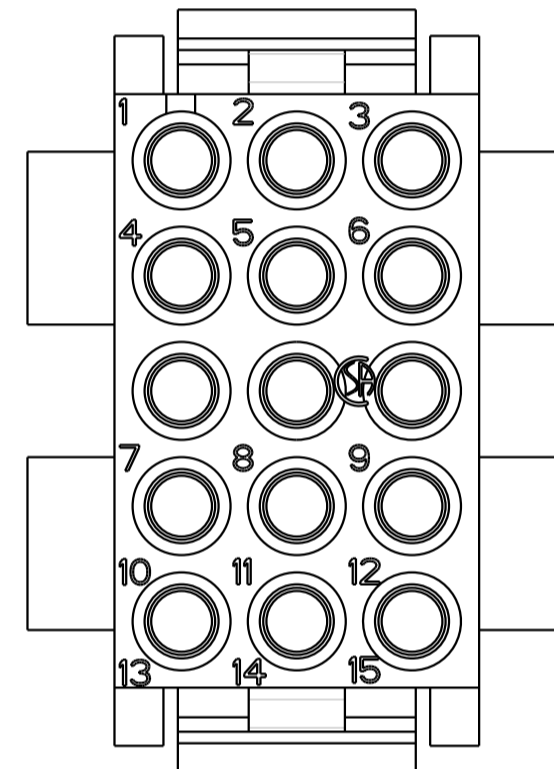
RECEPTACLE CONNECTOR
SMS6R3



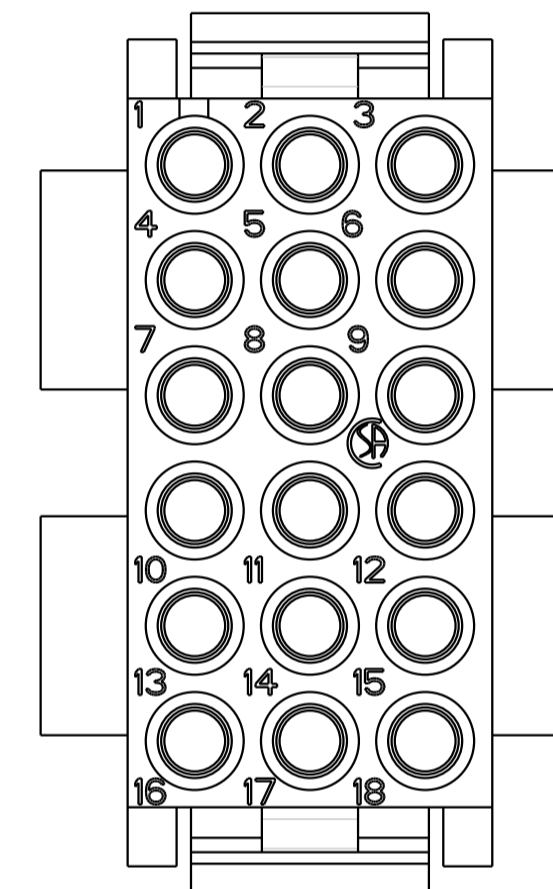
RECEPTACLE CONNECTOR
SMS9R3



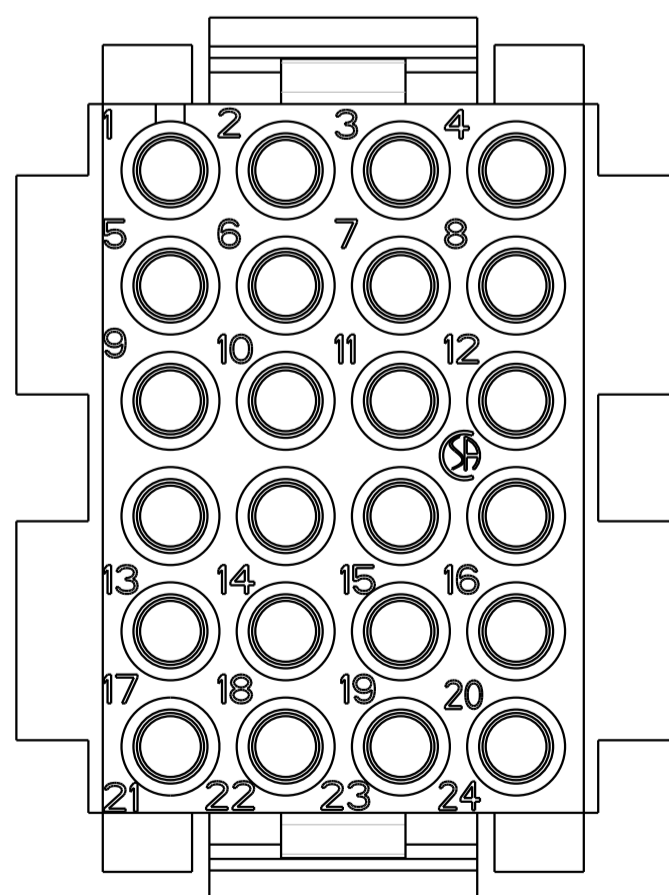
RECEPTACLE CONNECTOR
SMS12R3



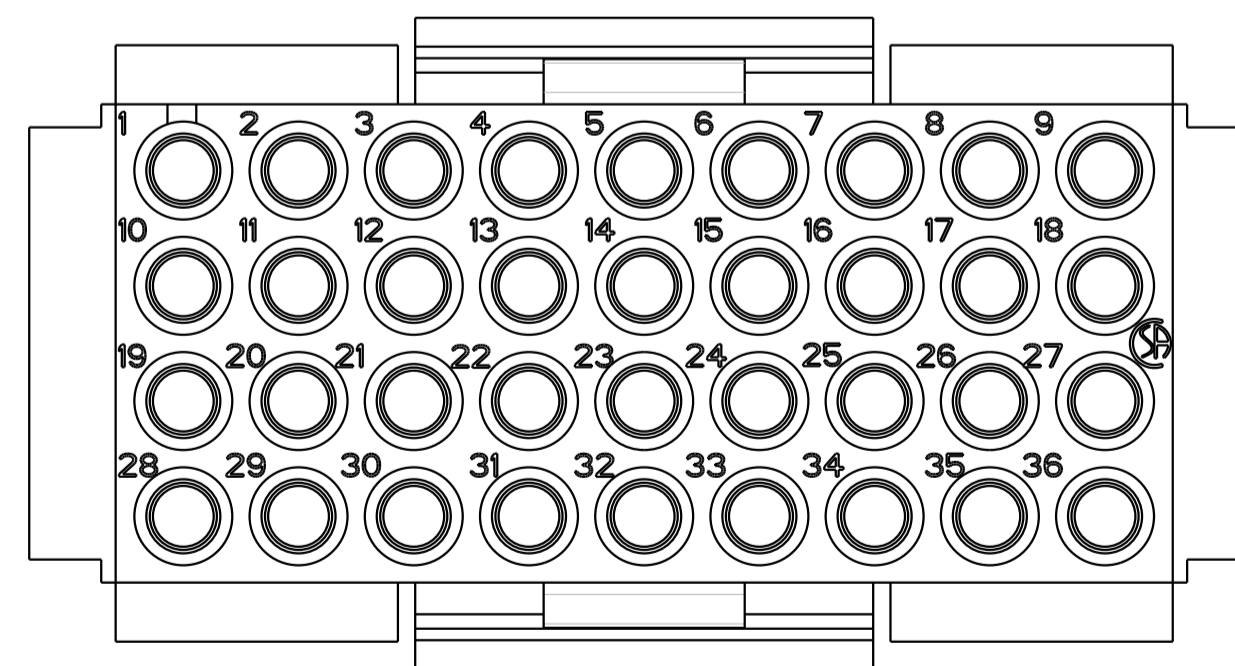
RECEPTACLE CONNECTOR
SMS15R3



RECEPTACLE CONNECTOR
SMS18R3



RECEPTACLE CONNECTOR
SMS24R3



RECEPTACLE CONNECTOR
SMS36R3

P/N : SMSXXR3

C	28/05/14	Update title and add "view on rear face" on sheet 3	23552
ISS	DATE	Latest modification - by: BERTHOME A.	MOD N°
Designed by:	RAGAIN E.M	Date: 07/05/09	CUSTOMER DRAWING
TITLE	RAILWAY SMS CONNECTOR WITH ALL MARK CAVITIES		
Scale	3/1	General linear Tolerances: ± 0.2	NPRDS / PROJECT IC081207A
SOURIAU		WWW.SOURIAU.COM	This document is the property of SOURIAU It must not be reproduced or communicated without permission
FORMAT	SOURIAU DRG N° BSC201424018		SHEET 3 / 3