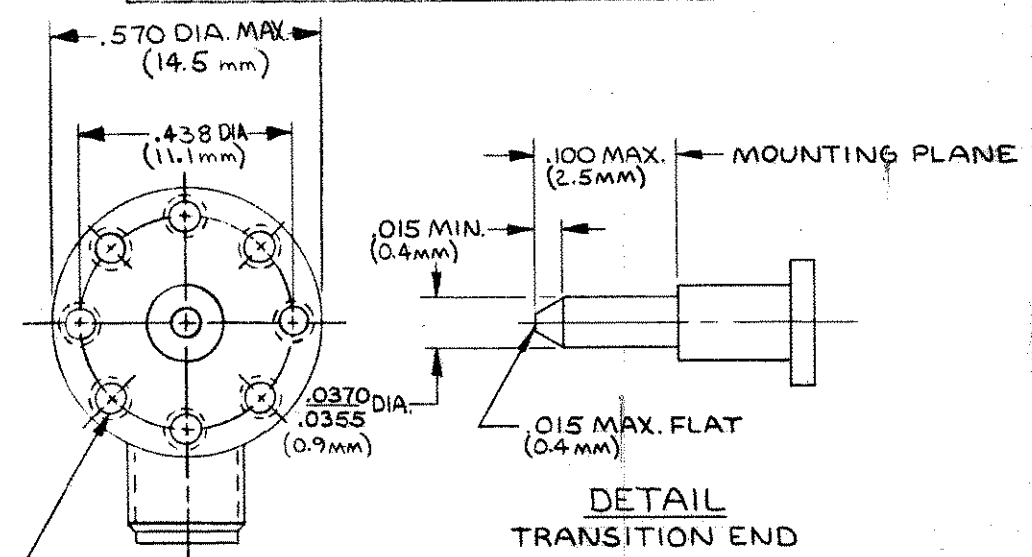


REVISIONS			
REV	DESCRIPTION	DATE	APPROVED
010	RELEASED	3/16/84	R. Gurus



COMPONENT	MATERIAL	FINISH
CENTER CONTACT	BERYLLIUM COPPER PER QQ-C-530, ALLOY 173	GOLD PLATE PER MIL-G-45204 OVER COPPER PLATE PER MIL-C-14550
DIELECTRIC	TFE FLOUROCARBON PER MIL-P-19468 AND FED SPEC. L-P-403	N/A
HOUSING	STAINLESS STEEL PER ASTM-A484 AND ASTM-A582, TYPE 303	PASSIVATE PER QQ-P-35

.086-56, UNC-2B
8 PLACES X
45° APART

- NOTES:
1. CAPTURED CENTER CONTACT

UNLESS OTHERWISE SPECIFIED DIMENSIONS ARE IN INCHES TOLERANCE ON	DRAWN	DATE
	CHECKED	
	APP'D	
	USE ASS'Y PROCEDURE	
FRAC. ± 1/64	DEC. ± .008	ANGLES ± 1°
THESE DRAWINGS AND SPECIFICATIONS ARE THE PROPERTY OF OMNI SPECTRA INCORPORATED AND SHALL NOT BE REPRODUCED OR COPIED OR USED IN WHOLE OR IN PART AS THE BASIS FOR THE MANUFACTURE OR SALE OF ITEMS WITHOUT WRITTEN PERMISSION.		
N/A		

	MICROWAVE CONNECTOR DIVISION	
	TITLE SMA SURFACE LAUNCH RIGHT ANGLE PLUG STRIPLINE TURRET TERMINAL (M83517/8-31001)	
SIZE	CODE IDENT NO.	REV.
B	26805 2068-8001-920	010
SCALE N.T.S.		SHEET 1 OF 1

CUSTOMER 1053451
SHEET 1 OF 1
REV 0