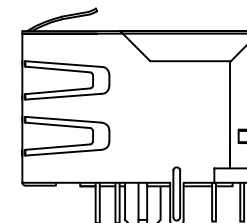
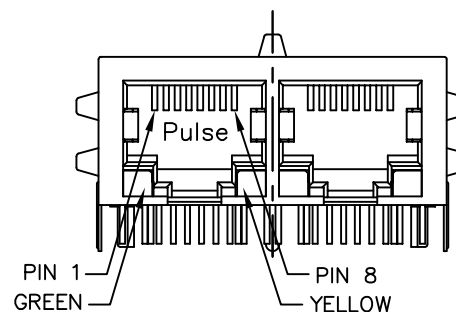
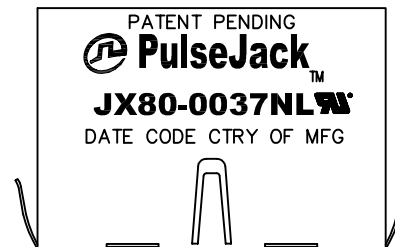


NOTES:

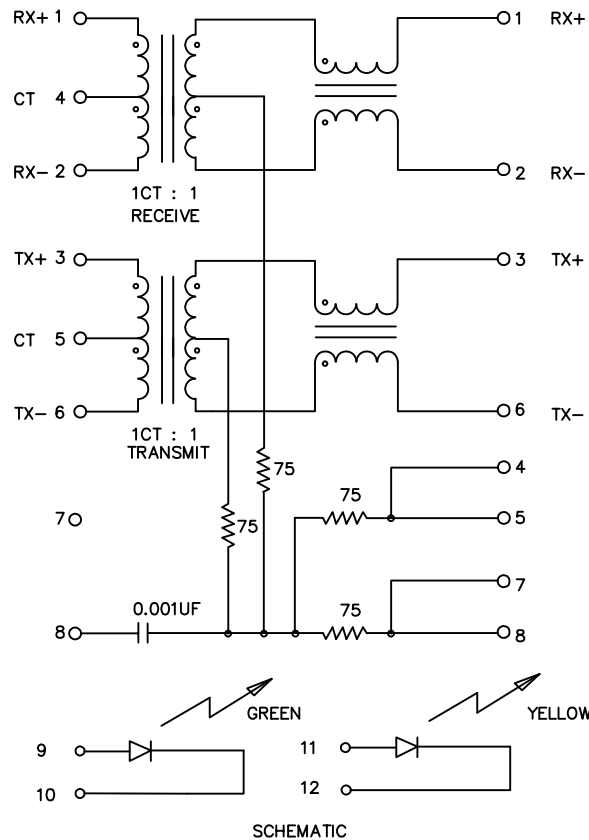
1. ROHS COMPLIANT
2. PLASTIC HOUSING: THERMOPLASTIC MATERIAL WITH FLAMMABILITY RATING UL 94V-0 OR BETTER.
3. CONTACTS PLATING: 30 μINCHES GOLD PLATING.
4. CONTACTS BASE MATERIAL: PHOSPHOR BRONZE
5. UNDER PLATING: 50-100 μINCHES NICKEL
6. SOLDER TAIL PLATING : 100-300 μINCHES 100% TIN, MATTE FINISH.
7. METAL SHIELD: NICKEL PLATING ON COPPER ALLOY.
8. JACK CAVITY CONFORMS TO FCC PART 68 SUBPART.
9. PCB PLATING: HASL
10. STORAGE TEMPERATURE: -50°C TO +125°C
11. COMPLIANCE TO J-STD:
 - A. J-STD-002: SOLDERABILITY AT 245°C DIP AND LOOK TEST
 - B. J-STD-020: LEVEL 1, NO MOISTURE SENSITIVE
 - C. J-STD-075: W2, 270°C MAXIMUM THROUGH WAVE SOLDER



FINAL OUTLINE

© Copyright, 2015. Pulse Electronics Corp. All rights reserved. Pulse confidential & proprietary. (02/10/2015)

| PRODUCT DESCRIPTION | TLA DRAWING | PS DRAWING | SHEET | PART NO. | DATASHEET REV. |
|---------------------------|----------------|---------------|--------|-------------|----------------|
| CONN,RJ45,1X2,100D,1:1,TY | JX80-0037NL-11 | PS-2063.001-G | 1 OF 4 | JX80-0037NL | A |



ELECTRICAL CHARACTERISTICS AT +25°C UNLESS OTHERWISE SPECIFIED
(FOR REFERENCE ONLY. USED FOR CUSTOMER INFORMATION.)

| PARAMETER | SPECIFICATION | | |
|--|---|---|------------|
| OPERATING TEMP | -40°C TO +85°C | | |
| TURNS RATIO | 1.00 ± 2% | | |
| POLARITY | PER SCHEMATIC | | |
| INSERTION LOSS | 100 KHz | 1-125 MHz | |
| | -1.2 dB MAX | -0.2-0.002*f ^{1.4} dB MAXIMUM | |
| RETURN LOSS (Z OUT = 100 OHM ±15%) | .1-30 MHz | 30-60 MHz | 60-80 MHz |
| | -16 dB MIN | -10+20*LOG ₁₀ (f/60 MHz) dB MIN | -10 dB MIN |
| | (MEASURED AT 100 KHz, 100 mVRMS AND WITH 8 mA DC BIAS) | | |
| INDUCTANCE (OCL) (MEDIA SIDE, -40°C TO +85°C) | 350 uH MIN | | |
| CROSSTALK, ADJACENT CHANNELS | 1 MHz | 10-100 MHz | |
| | -50 dB MIN | -50+17*LOG ₁₀ (f/10) dB MINIMUM | |
| COMMON MODE REJECTION RATIO | 2 MHz | 30-200 MHz | |
| | -50 dB MIN | -15+20*LOG ₁₀ (f/200) dB MINIMUM | |
| DC RESISTANCE 1/2 WINDING | .60 OHMS MAXIMUM | | |
| DC RESISTANCE IMBALANCE | ±.065 OHMS MAXIMUM (CENTER TAP SYMMETRY) | | |
| INPUT - OUTPUT ISOLATION | 2250 VDC MINIMUM AT 60 SECONDS | | |

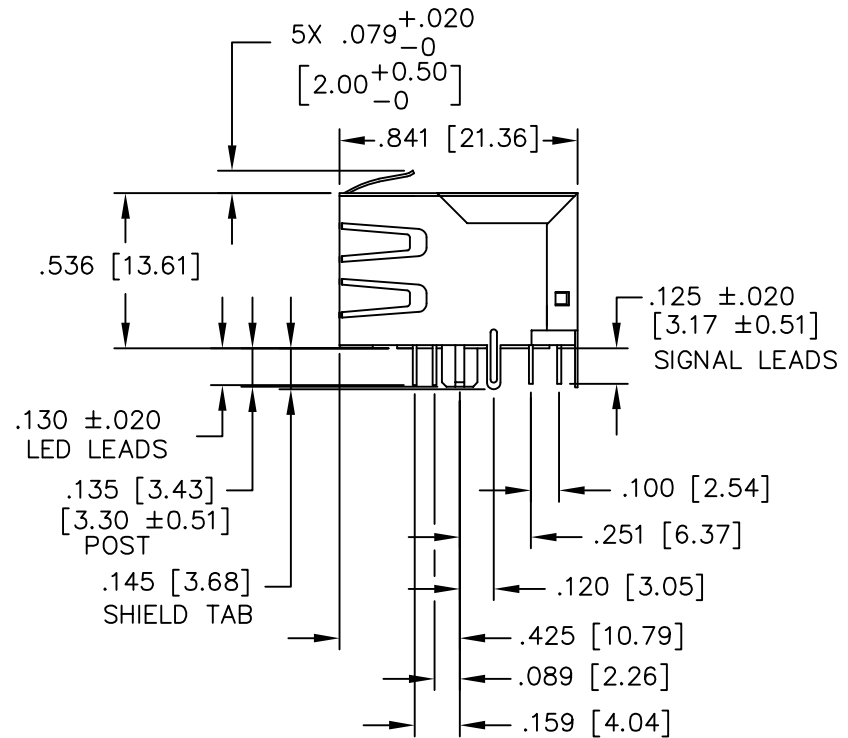
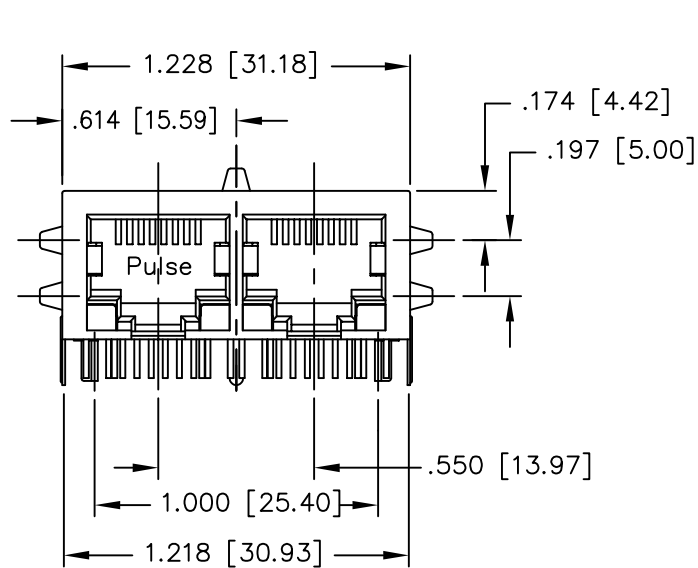
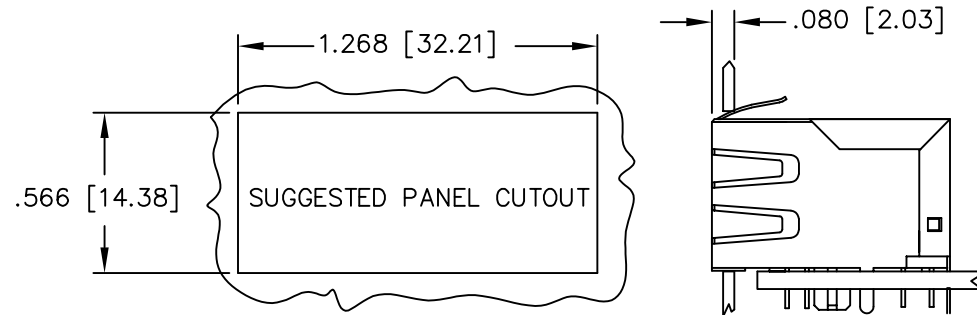
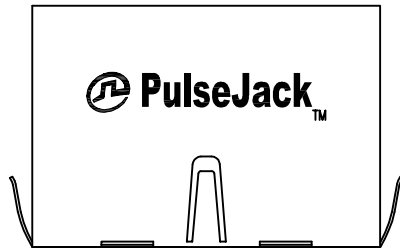
NOTE: f IS FREQUENCY IN MHZ.

| EMMITTED COLOR | GREEN | YELLOW |
|------------------------|-------------------|-------------------|
| WAVELENGTH (nm) | 570 nm | 590 nm |
| BRIGHTNESS (mCD) | 13 TYP. @ 20mA | 12 TYP. @ 20mA |
| VIEWING ANGLE | 100° | 100° |
| POWER DISSIPATION (Pd) | 85 mW MAX | 85 mW MAX |
| DC FORWARD CURRENT | 200 mA MAX | 200 mA MAX |
| REVERSE VOLTAGE (Vr) | 5.0 V MAX | 5.0 V MAX |
| FORWARD VOLTAGE (Vf) | 2.8 V MAX | 2.8 V MAX |

NOTE: PER VENDOR'S SPECIFICATIONS

© Copyright, 2015. Pulse Electronics Corp. All rights reserved. Pulse confidential & proprietary. (02/10/2015)

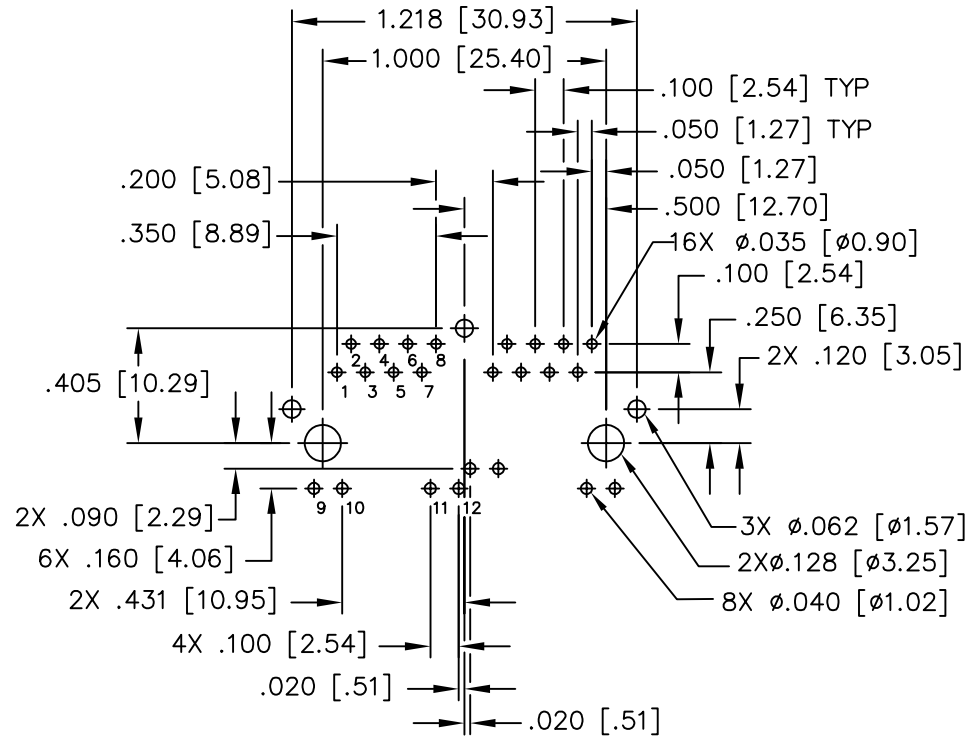
| PRODUCT DESCRIPTION | TLA DRAWING | PS DRAWING | SHEET | PART NO. | DATASHEET REV. |
|---------------------------|----------------|---------------|--------|-------------|----------------|
| CONN,RJ45,1X2,100D,1:1,TY | JX80-0037NL-11 | PS-2063.001-G | 2 OF 4 | JX80-0037NL | A |



DIMENSIONS ARE IN INCHES [MILLIMETERS] WITH THE FOLLOWING TOLERANCES: [MILLIMETERS] ARE FOR REFERENCE ONLY.
.XXX = ±.010 [±0.25]

© Copyright, 2015. Pulse Electronics Corp. All rights reserved. Pulse confidential & proprietary. (02/10/2015)

| PRODUCT DESCRIPTION | TLA DRAWING | PS DRAWING | SHEET | PART NO. | DATASHEET REV. |
|---------------------------|----------------|---------------|--------|-------------|----------------|
| CONN,RJ45,1X2,100D,1:1,TY | JX80-0037NL-11 | PS-2063.001-G | 3 OF 4 | JX80-0037NL | A |



SUGGESTED PRINTED CIRCUIT BOARD LAYOUT
VIEWED FROM COMPONENT SIDE
UNLESS OTHERWISE SPECIFIED PCB DIMENSION ARE ± 0.003

© Copyright, 2015. Pulse Electronics Corp. All rights reserved. Pulse confidential & proprietary. (02/10/2015)

| PRODUCT DESCRIPTION | TLA DRAWING | PS DRAWING | SHEET | PART NO. | DATASHEET REV. |
|---------------------------|----------------|---------------|--------|-------------|----------------|
| CONN,RJ45,1X2,100D,1:1,TY | JX80-0037NL-11 | PS-2063.001-G | 4 OF 4 | JX80-0037NL | A |