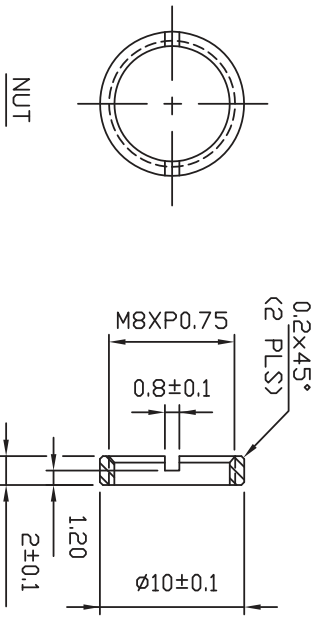
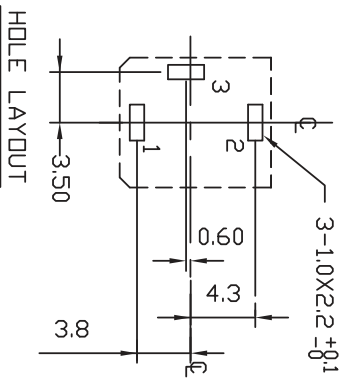
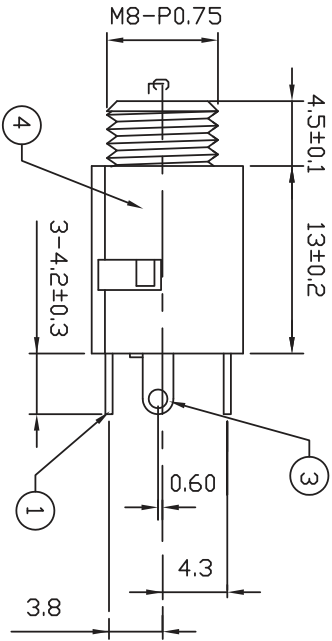
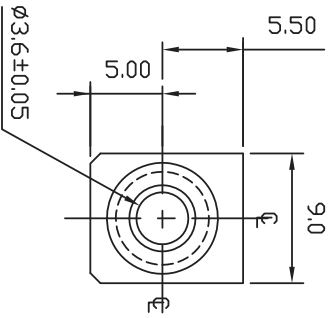


SPECIFICATIONS
 CONTACT RESISTANCE :30mΩ MAX.
 INSULATION RESISTANCE :100MΩ MIN. AT DC 500V
 DIELECTRIC WITHSTAND VOLTAGE :AC 500V FDR ONE MINUTE



| | | | | |
|------------------|-------------|---|------|---------------|
| 4 | HOUSING | PBT, 94V-0, 15% GF. | 1 | BLACK COLOR |
| 3 | TIP | PBS | 1 | SILVER PLATED |
| 2 | TIP SHUNT | BRASS | 1 | SILVER PLATED |
| 1 | SLEEVE | PBS | 1 | SILVER PLATED |
| ITEM | DESCRIPTION | MATERIAL | Q'TY | FINISH |
| PROJECTION | | | | |
| TITLE | | Research • Development • Innovation RDI, Inc. • 400 Columbus Avenue • Valhalla, NY 10595 | | |
| SCALE | | NONE | | |
| TOLERANCE | | EXCEPT AS NOTED | | |
| DEC. INCHES | | N/A | | |
| DEC. MILLIMETERS | | ±0.30 | | |
| ANG. | | ±1° | | |

NOTE:
 ALL DIMS ARE GIVEN IN MM.

| | | | | | | |
|--------|----------|-----|---|----|----|------|
| 05-498 | 10-18-05 | C | CHANGED THE PART TO ROHS COMPLIANT | MS | JY | BY |
| 03-177 | 2/28/03 | B | PN: RSJ-0352-2(LJ0352) WAS RSJ-0352-2, REV'D DWG PER EXISTING PARTS | BM | JY | AUTH |
| 02-300 | 7/30/02 | A | REVISED AS SHOWN SEE VOID COPY | BM | JY | |
| ECN# | DATE | SYM | REVISION RECORD | | | |

THIS DOCUMENT IS OWNED BY AND THE INFORMATION CONTAINED IN IT IS PROPRIETARY TO RDI. BY RECEIPT HEREOF THE HOLDER AGREES NOT TO USE THE INFORMATION AND NOT TO DISCLOSE IT TO ANY THIRD PARTY, NOR REPRODUCE THIS DOCUMENT WITHOUT THE WRITTEN CONSENT OF RDI, AND AGREES TO RETURN THIS DOCUMENT UPON REQUEST.