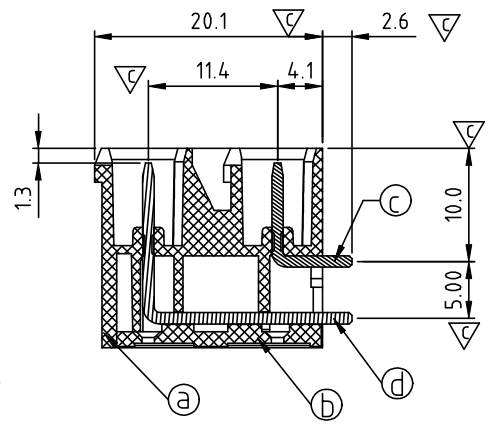
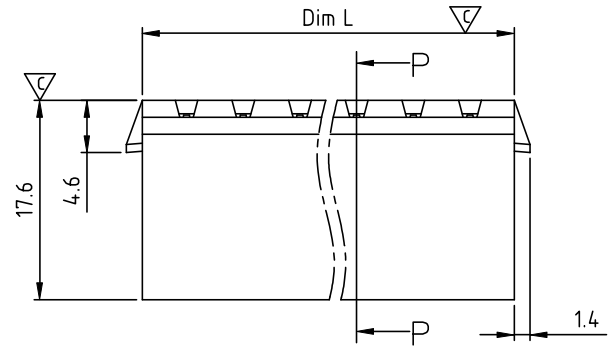
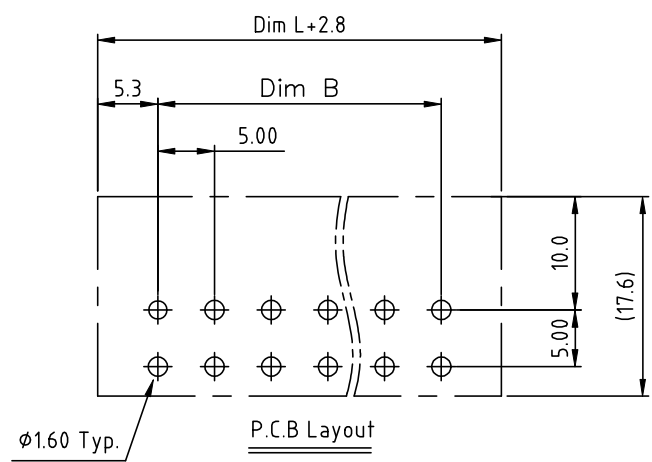
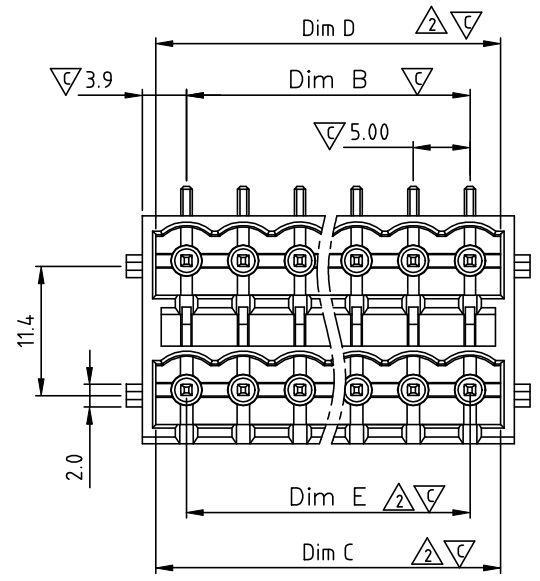


| SIGN   | DATE     | DESCRIPTION                       | APPROVER |
|--|----------|-----------------------------------|----------|
| △  | 03/29'12 | Add is cULus                      | Chen Bo  |
| △  | 03/29'12 | The dimension C & D & E are added | Chen Bo  |
| THIS IS CAD DRAWING, DO NOT REVISE MANUALLY!!! |          |                                   |          |



SECTION  
P=P

- Material:
- Item a Terminal(housing): Thermoplastic (UL94V-0)
  - Item b Terminal(cover): Thermoplastic (UL94V-0)
  - Item c Male contact pin of short: Copper Tin plated
  - Item d Male contact pin of long: Copper Tin plated

- Electrical: cULus
- Voltage rating: 300V
  - Current rating: 12A
  - Withstanding Voltage: 1.6KV
  - Operating temperature: -40°C to +115°C
  - Soldering temperature: 250°C±10°C/5 Sec
  - Safety Approval: cULus
  - Critical dimension:

KE xx 7 3 x 3 xxxx G

- No. OF POLES
- 04: 2x2 POLES
  - 06: 2x3 POLES
  - :
  - 48: 2x24 POLES

RoHS compliant (lead<4%)  
In copper Alloy

0000: "@ " Logo (Standard)  
000A: "ANYTEK" Mark

Any special item by customer request. please contact sales department.

- COLOR
- 0 Black (RAL9005)
  - 2 Red (RAL3001/D)
  - 3 Orange(RAL2011/P)
  - 4 Yellow(RAL1018/A)
  - 5 Green(RAL6018/T)
  - 6 Blue (RAL5015/A)
  - 8 Grey(RAL7035/D)
  - 9 White(RAL1102)
  - C Green(RAL6018/U)

N = Number of poles  
 Dim L=N×5.0+2.8  
 Dim B=(N-1)×5.0  
 Dim C=(N-1)×5.0+5.4  
 Dim D=(N-1)×5.0+5.4  
 Dim E=(N-1)×5.0

| Poles      | Dim L | Dim B | Dim C          | Dim D          | Dim E |
|------------|-------|-------|----------------|----------------|-------|
| 2×2-2×6p   | ±0.15 | ±0.15 | +0.05<br>-0.05 | +0.05<br>-0.05 | ±0.15 |
| 2×7-2×12p  | ±0.25 | ±0.25 | +0.10<br>-0.05 | +0.10<br>-0.05 | ±0.25 |
| 2×13-2×18p | ±0.35 | ±0.35 | +0.20<br>-0.05 | +0.20<br>-0.05 | ±0.35 |
| 2×19-2×24p | ±0.40 | ±0.40 | +0.25<br>-0.10 | +0.25<br>-0.10 | ±0.40 |

|   |  |   |          |                      |          |              |            |
|---|--|---|----------|----------------------|----------|--------------|------------|
| <b>ANYTEK</b>   |  |   |          | <b>CUSTOMER COPY</b> |          |              |            |
| ALL RIGHTS RESERVED. REPRODUCTION OR ISSUE TO THIRD PARTIES IN ANY FORM WHATSOEVER IS NOT PERMITTED WITHOUT WRITTEN AUTHORITY FROM THE PROPRIETOR. PROPERTY OF ANYTEK TECHNOLOGY CO., LTD |  |   |          |                      |          |              |            |
| TITLE   |  | KE 5.0mm With latch holder Series 2x2P-2x24P (90°-Right-angle) DIP type |          |                      |          |              |            |
| PART NO.  |  | KExx73x3xxxxG   |          |                      | DWG NO.  |              | 8KE0105    |
| APPROVED  |  | CHECKED   | DESIGNED | DRAWN                | CUST NO. |              | Tolerance  |
|   |  |   | Chen Bo  | Chen Bo              |          |              | X. ±0.50   |
|   |  |   | 04/14'12 | 04/14'12             |          |              | X.X ±0.30  |
|   |  |   |          |                      |          | UNIT: mm     | X.XX ±0.10 |
|   |  |   |          |                      |          | SCALE: NONE  | X° ±1°     |
|   |  |   |          |                      |          | SHEET: 01/01 | REV.: C    |