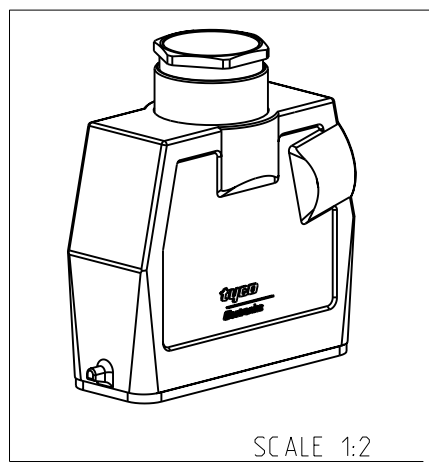
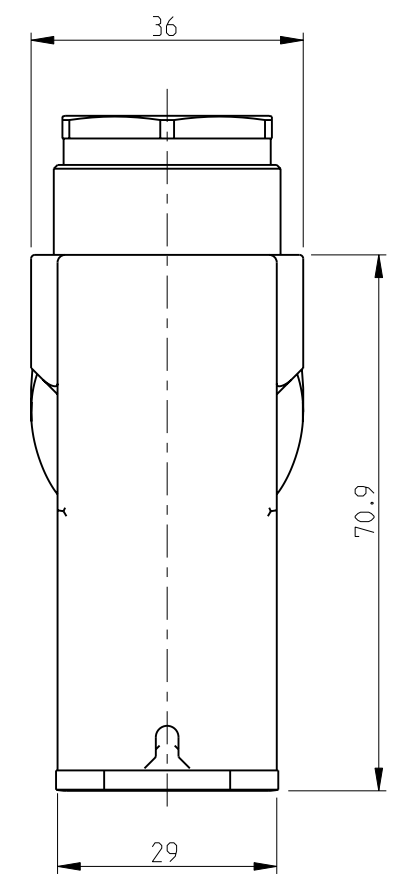
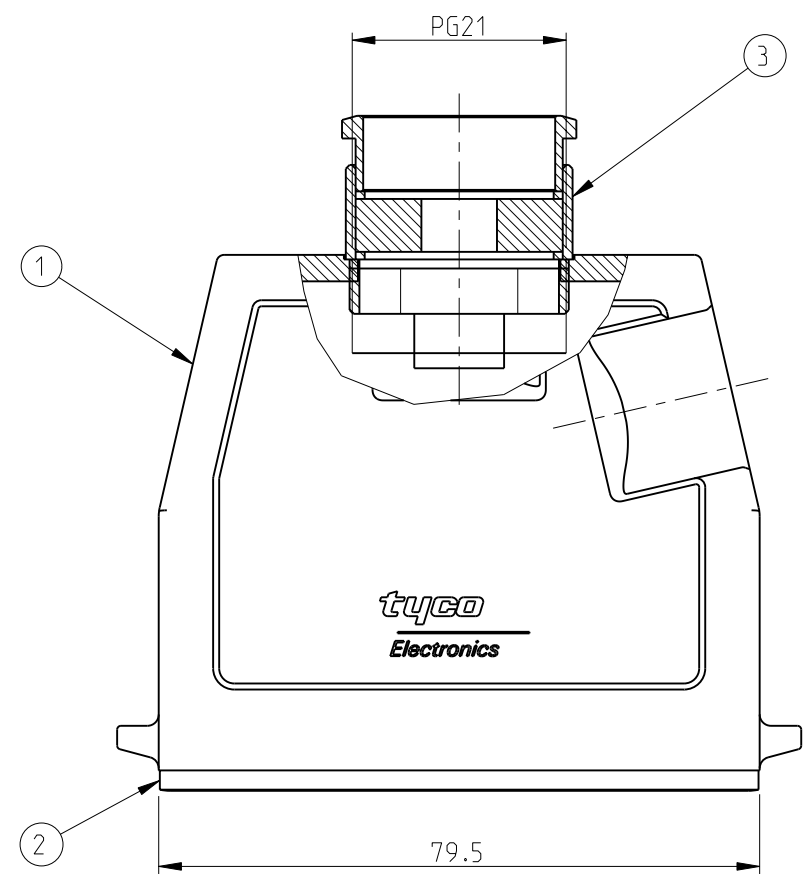


THIS DRAWING IS UNPUBLISHED. RELEASED FOR PUBLICATION 2000
 © COPYRIGHT 2000 BY TYCO ELECTRONICS CORPORATION. ALL RIGHTS RESERVED.

LOC	DIST	REVISIONS				
P	LTR	DESCRIPTION	DATE	DWN	APVD	
A1	-	B2	RELEASED AS PER ECR-09-005170	05.MAR.2009	GG TS	

- NOTES:
- 1 MATERIAL: SEE TABLE
 - 2 COLOR: SEE TABLE
 - 3 VARNISH ON THE INSIDE NOT NECESSARY
 - 4 PACKAGING QUANTITY: 5 PIECES PER BOX



PN 1-7 AS SHOWN

1	2	3	4	5	6
1	CABLE FITTING ROUND	BRASS	NICKEL PLATED	BLUE	3
1	PROFILE SEAL	NEOPRENE		BLACK	2
1	HOOD HD.25-PG THREADS	ALUMINIUM		GREY	1
1-7	DESCRIPTION	MATERIAL	SURFACE	COLOR	ITEM NO.

ORDERING TEXT
HD25.STO.1.21

<small>THIS DRAWING IS A CONTROLLED DOCUMENT FOR TYCO ELECTRONICS CORPORATION IT IS SUBJECT TO CHANGE AND THE CONTROLLING ENGINEERING ORGANIZATION SHOULD BE CONTACTED FOR THE LATEST REVISION.</small>	
DIMENSIONS:	TOLERANCES UNLESS OTHERWISE SPECIFIED:
mm	0 PLC ± 1 PLC ± 2 PLC ± 3 PLC ± 4 PLC ± ANGLES ±
MATERIAL	FINISH
1	2

DWN	S.KUMAR	4/20/2006	Tyco Electronics.AMP.GmbH		
CHK	P.BENNUR	4/20/2006	53757,SanktAugustin,Germany		
APVD	T.SCHNURPFEL	4/20/2006	NAME		
PRODUCT SPEC			HOOD		
APPLICATION SPEC			HD25.STO.1.21		
WEIGHT	-	SIZE	A3	CAGE CODE	00779
CUSTOMER DRAWING			DRAWING NO	C=1102537	
SCALE			1:1	SHEET	1 OF 1
REV			B2		