

- [注記] 1. 材質 MATERIAL
 NOTES
 ハウジング: 耐熱性樹脂, UL94V-0, 色: 黒
 HOUSING: LCP, UL94V-0, COLOR: BLACK
 ハートカム: 耐熱性樹脂, UL94V-0, 色: 黒
 HEART CAM: LCP, UL94V-0, COLOR: BLACK
 ターミナル: リン青銅(±0.25)
 TERMINAL: PHOSPHOR BRONZE(±0.25)
 シェルカバー: ステンレス鋼(±0.2)
 SHELL COVER: STAINLESS STEEL(±0.2)
 各スイッチ: リン青銅(±0.2)
 EACH SWITCHES: PHOSPHOR BRONZE(±0.2)
 各補強金具: 黄銅(±0.2)
 EACH NAILS: BRASS(±0.2)
 コイルスプリング: 鋼線
 COIL SPRING: STEEL WIRE
 カムピン: ステンレス鋼(φ 0.4)
 PIN FOR CAM: STAINLESS STEEL(φ 0.4)

2. メッキ仕様 PLATING
 ターミナル(接触部): 金メッキ0.1μm以上
 TERMINAL (CONTACT AREA): GOLD 0.1 MICROMETER MIN.
 ターミナル(テール部): 銅メッキ1.0μm以上
 TERMINAL (TAIL AREA): TIN 1.0 MICROMETER MIN.
 ターミナル(下地メッキ): ニッケルメッキ1.0μm以上
 TERMINAL (UNDER-PLATING): NICKEL 1.0 MICROMETER MIN.
 各スイッチ(接触部): 金メッキ0.1μm以上
 EACH SWITCHES (CONTACT AREA): GOLD 0.1 MICROMETER MIN.
 各スイッチ(テール部): 銅メッキ1.0μm
 EACH SWITCHES (TAIL AREA): TIN 1.0 MICROMETER MIN.
 各スイッチ(下地メッキ): ニッケルメッキ1.5μm以上
 TERMINAL (UNDER-PLATING): NICKEL 1.5 MICROMETER MIN.
 スイッチ導通補強金具: 全面金メッキ0.1μm以上
 SWITCH NAIL (ALL AREA): GOLD 0.1 MICROMETER MIN.
 補強金具: 全面銅メッキ1.0μm以上
 NAIL (ALL AREA): TIN 1.0 MICROMETER MIN.
 補強金具(下地メッキ): ニッケルメッキ1.0μm以上
 NAIL (UNDER-PLATING): NICKEL 1.0 MICROMETER MIN.
 コイルスプリング: 全面ニッケルメッキ
 COIL SPRING (ALL AREA): NICKEL PLATING

△ 各ターミナルの接触位置 CONTACT POSITION OF CARD SIDE

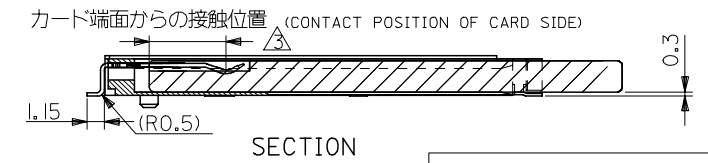
ターミナルNo. TERMINAL No.	接触位置 CONTACT POSITION
①	(2.4)
②⑤④①③	(2.9)
③④	(3.4)
⑥	(5.2)

4. テール及び各補強金具の平坦度は、0.1MAX.
 TAIL AND NAIL COPLANARITY TO BE 0.1 MAX.

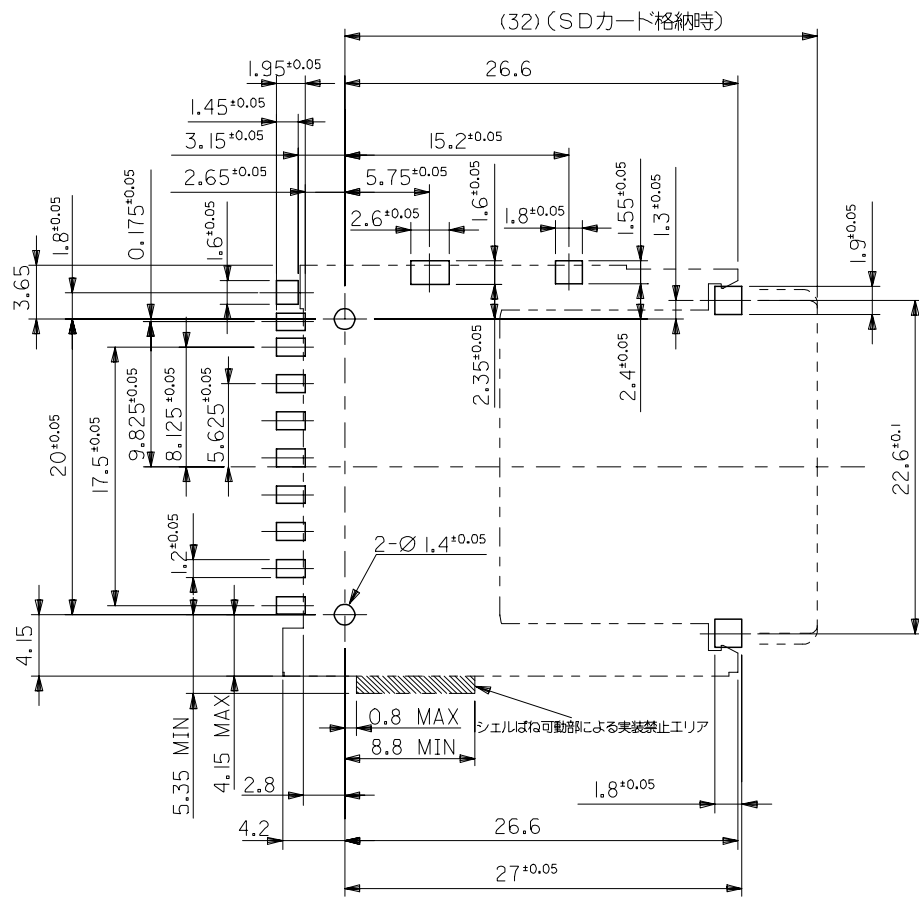
5.

カード装着状態 CARD INSERTION STATE	プロテクトスイッチ PROTECT SWITCH	書き込み禁止状態 READ-ONLY	書き込み可能状態 WRITE ENABLE	ディテクトスイッチ DETECT SWITCH
カード未装着 WITHOUT CARD	クローズ CLOSE	クローズ CLOSE	クローズ CLOSE	クローズ CLOSE
カード装着 CARD INSERTED	クローズ CLOSE	オープン OPEN	オープン OPEN	オープン OPEN

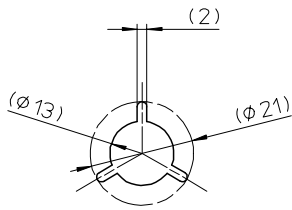
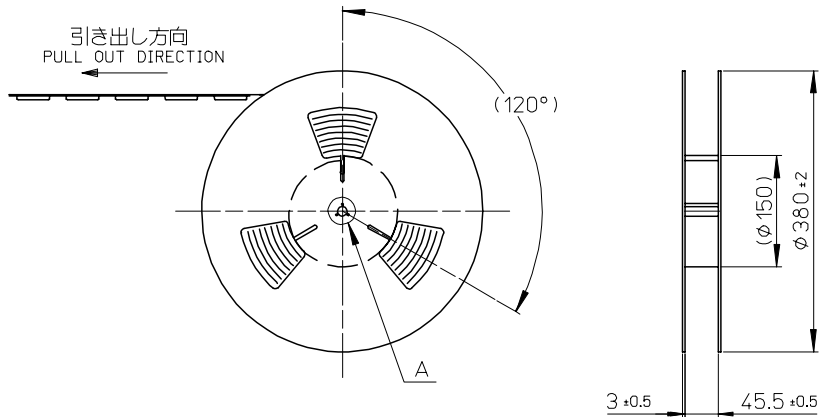
6. 本製品は54786-***31の鉛フリー品である。
 THIS PRODUCT IS LEAD FREE OF 54786-***31.



REVISED EC No: J2005-3724 DRWN: OTANI CHKD: NUKITA APPR: NUKITA 2005/06/27 2005/06/27 2005/06/27	GENERAL TOLERANCES (UNLESS SPECIFIED)		DIMENSION STYLE MM ONLY		SCALE 3-1	DESIGN UNITS METRIC	THIRD ANGLE PROJECTION						
	10 UNDER ±0.2	10 OVER 30 UNDER ±0.25	30 OVER ±0.3	ANGULAR ±3 °	DRAFT WHERE APPLICABLE MUST REMAIN WITHIN DIMENSIONS	DRAWN BY Y. WADA	DATE 2004/5/17	CHECKED BY M. SASAO	DATE 2004/5/17	APPROVED BY M. SASAO	DATE 2004/5/17	TITLE SD CARD CONN. PUSH/PUSH & REVERSE SALES DRAWING -LEAD FREE-	MOLEX INCORPORATED
	MATERIAL 注記参照		MATERIAL NO. SEE CHART		DOCUMENT NO. SD-54786-020		SHEET NO. 1 OF 2						
	THIS DRAWING CONTAINS INFORMATION THAT IS PROPRIETARY TO MOLEX INCORPORATED AND SHOULD NOT BE USED WITHOUT WRITTEN PERMISSION												



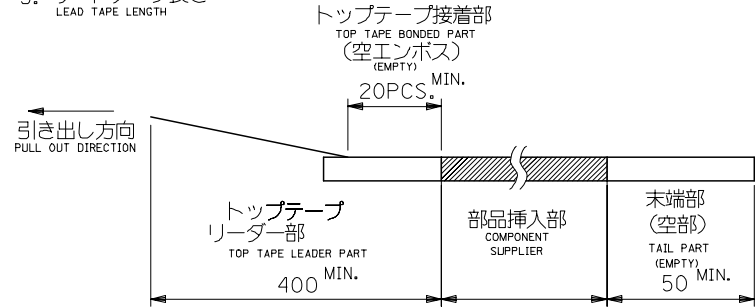
REVISED EC NO: J2005-3724 DRWN: OTANI 2005/06/27 CHKD: NUKITA 2005/06/27 APPR: NUKITA 2005/06/27 A	GENERAL TOLERANCES (UNLESS SPECIFIED)		DIMENSION STYLE MM ONLY		SCALE 3-1	DESIGN UNITS METRIC	THIRD ANGLE PROJECTION	
	10 UNDER	± 0.2	DRAWN BY Y. WADA		TITLE SD CARD CONN. PUSH/PUSH & REVERSE SALES DRAWING -LEAD FREE-			
	10 OVER 30 UNDER	± 0.25	CHECKED BY M. SASAO		DATE 2004/5/17			
	30 OVER	± 0.3	APPROVED BY M. SASAO		DATE 2004/5/17			
	ANGULAR	± 3 °	MATERIAL NO. SEE CHART		DOCUMENT NO. SD-54786-020		SHEET NO. 2 OF 2	
DRAFT WHERE APPLICABLE MUST REMAIN WITHIN DIMENSIONS		SIZE A3		THIS DRAWING CONTAINS INFORMATION THAT IS PROPRIETARY TO MOLEX INCORPORATED AND SHOULD NOT BE USED WITHOUT WRITTEN PERMISSION				



DETAIL A
SCALE 1:1

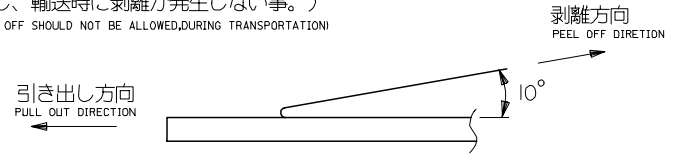
注)
NOTES

- 製品番号 54786-0939の詳細寸法については、SD図面を参照下さい。
IN THE PACKAGE, PART NO. 54794-0939 DETAILED DIMENSIONS, SEE SALES DRAWING.
- 梱包数量 : 400 個/リール
NUMBER OF CONNECTORS : 400 PCS/REEL
- リードテープ長さ
LEAD TAPE LENGTH



- トップテープの剥離強度 : (剥離方向は下図参照)
PEELING OFF FORCE OF TOP TAPE (PEELING DIRECTION AS SHOWN IN FOLLOWING FIG.)
0. 1~1. 3N {10~130gf} : キャリアテープ幅 44mm
CARRIER TAPE WIDTH 44mm

尚、本規格値は、出荷時に適用。
THIS REQUIREMENT SHOULD BE APPLIED AT SHIPMENT
(但し、輸送時に剥離が発生しない事。)
(PEEL OFF SHOULD NOT BE ALLOWED DURING TRANSPORTATION)

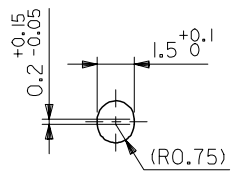


- 材料
MATERIAL
キャリアテープ : ポリプロピレン (PP)
CARRIER TAPE : POLYPROPYLENE (PP)
トップテープ : PET, PE, PEF
TOP TAPE : PET, PE, PEF
リール : 紙
REEL : CARD BOARD

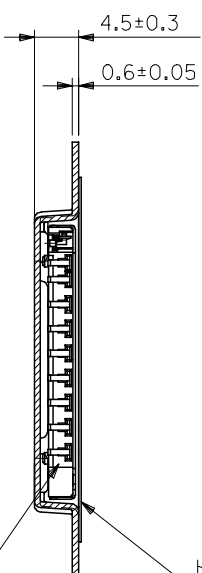
- 本製品は 54786-**91 の鉛フリー品である。
THIS PRODUCT IS LEAD FREE OF 54786-**91.

54786-0971	54786-**71
MATERIAL No.	MODEL No.

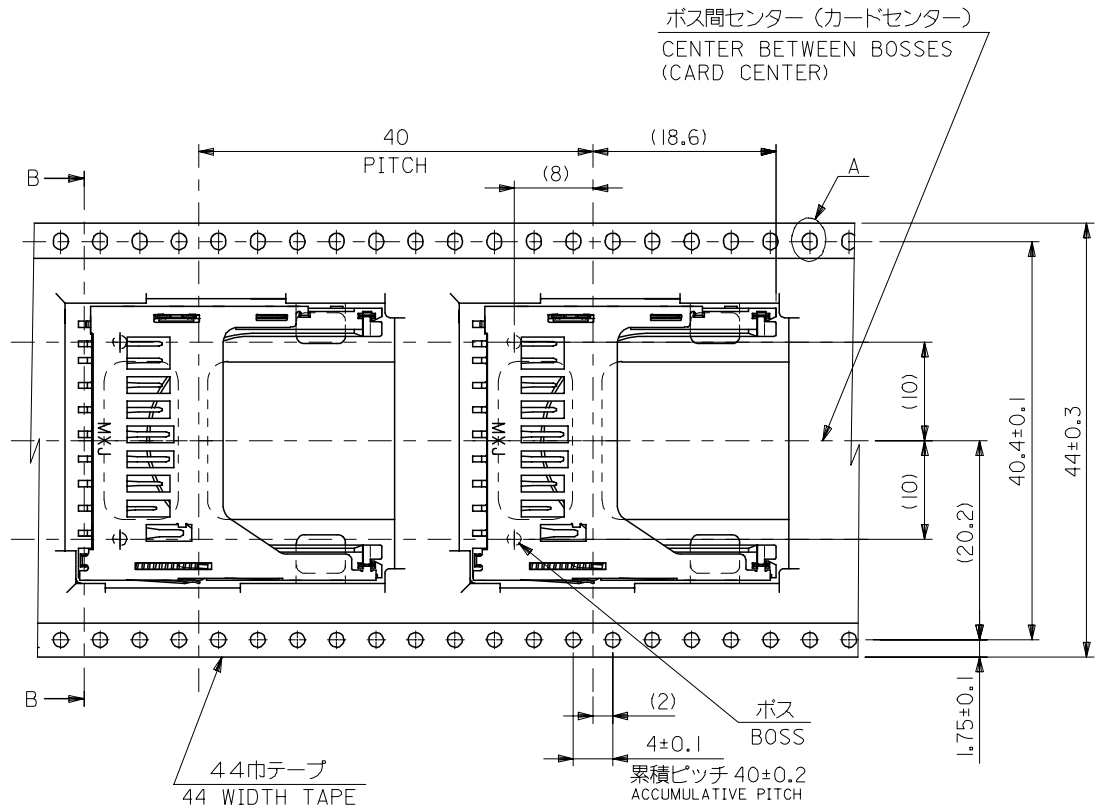
REVISED EC No: J2005-0694 DRAWN: KSETO 2004/09/17 CHKD: MIYAZAWA 2004/09/17 APPR: MIYAZAWA 2004/09/29	GENERAL TOLERANCES (UNLESS SPECIFIED)		DIMENSION STYLE MM ONLY		SCALE ---	DESIGN UNITS METRIC	THIRD ANGLE PROJECTION	
	10 UNDER	±0.2	DRAWN BY YWADA	DATE 04/05/17	TITLE 54786-0939 TAPING PACKAGE -LEAD FREE-			
	10 OVER 30 UNDER	±0.25	CHECKED BY MSASAO	DATE 04/05/17				
	30 OVER	±0.3	APPROVED BY MSASAO	DATE 04/05/17	MOLEX INCORPORATED			
	ANGULAR	±3 °	MATERIAL NO.	DOCUMENT NO.				
DRAFT WHERE APPLICABLE MUST REMAIN WITHIN DIMENSIONS		SEE CHART		SD-54786-021		1 OF 2		
SIZE A3 THIS DRAWING CONTAINS INFORMATION THAT IS PROPRIETARY TO MOLEX INCORPORATED AND SHOULD NOT BE USED WITHOUT WRITTEN PERMISSION								



DETAIL A
(5-1)



SECTION B-B



引き出し方向
PULL OUT DIRECTION

54786-***71
MODEL No.

REVISED EC NO: J2005-0694 DRAWN BY: DRWNGKSETO 2004/09/17 CHKD: MIYAZAWA 2004/09/17 APPR: MIYAZAWA 2004/09/29	GENERAL TOLERANCES (UNLESS SPECIFIED)		DIMENSION STYLE MM ONLY		SCALE ---	DESIGN UNITS METRIC	THIRD ANGLE PROJECTION	
	10 UNDER	±0.2	DRAWN BY YWADA	DATE 04/05/17	TITLE 54786-0939 TAPING PACKAGE -LEAD FREE-			
	10 OVER 30 UNDER	±0.25	CHECKED BY MSASAO	DATE 04/05/17				
	30 OVER	±0.3	APPROVED BY MSASAO	DATE 04/05/17	MOLEX INCORPORATED DOCUMENT NO. SD-54786-021 SHEET NO. 2 OF 2			
	ANGULAR	±3 °	MATERIAL NO. SEE CHART					
DRAFT WHERE APPLICABLE MUST REMAIN WITHIN DIMENSIONS		SIZE A3		THIS DRAWING CONTAINS INFORMATION THAT IS PROPRIETARY TO MOLEX INCORPORATED AND SHOULD NOT BE USED WITHOUT WRITTEN PERMISSION				