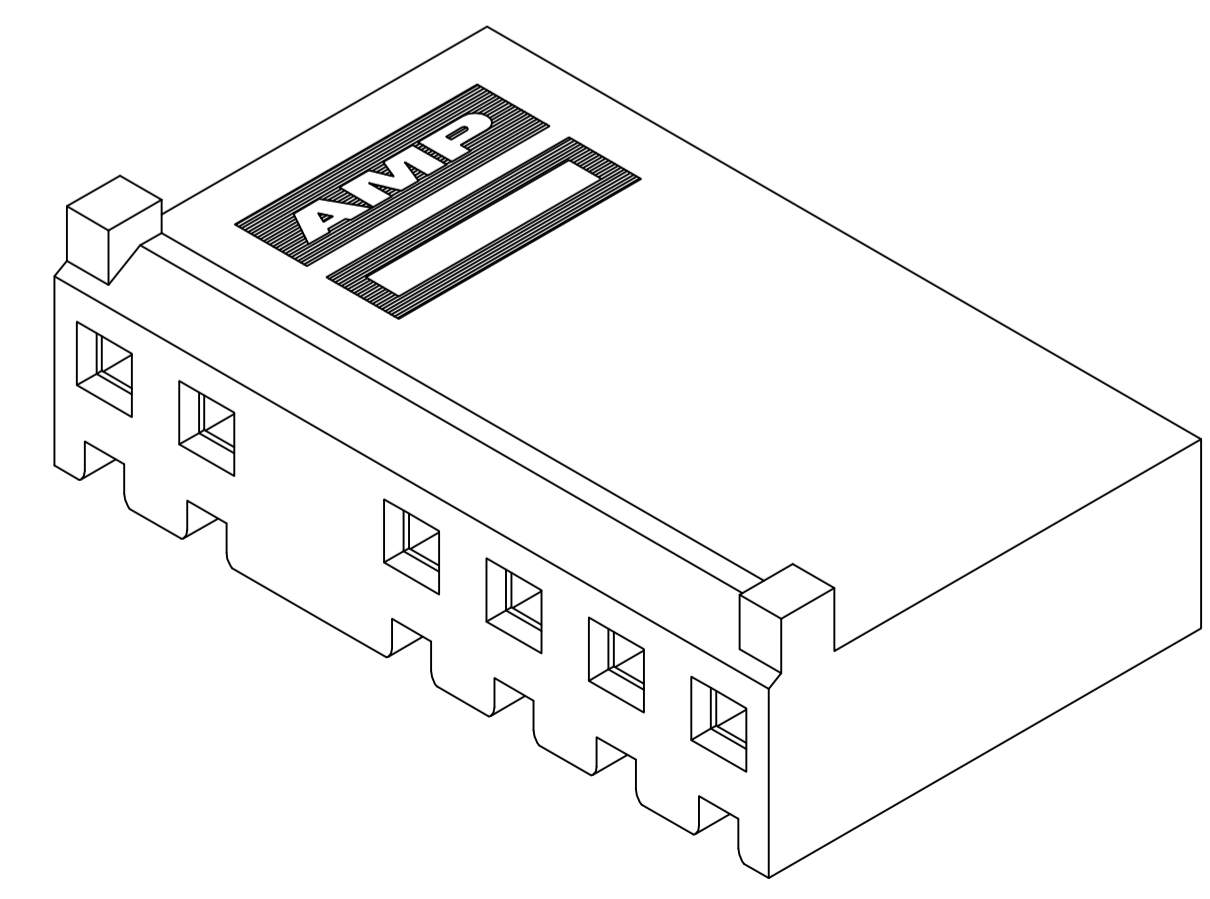
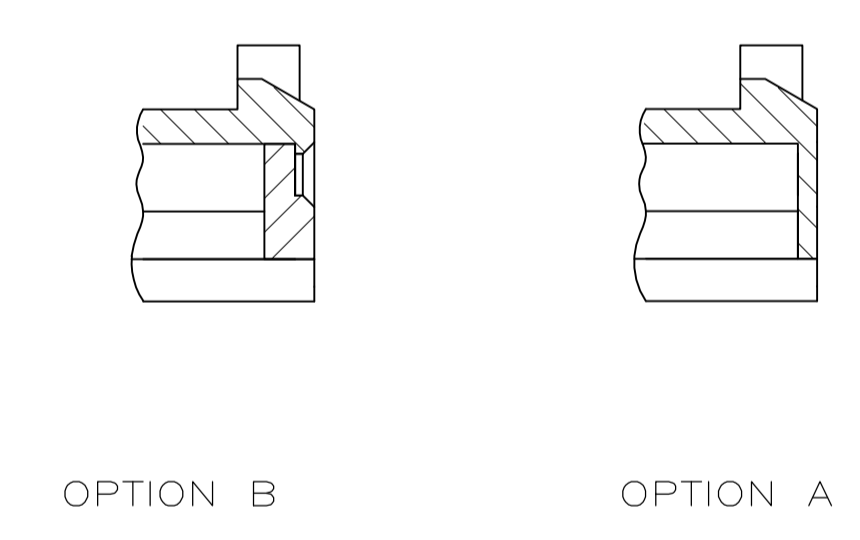
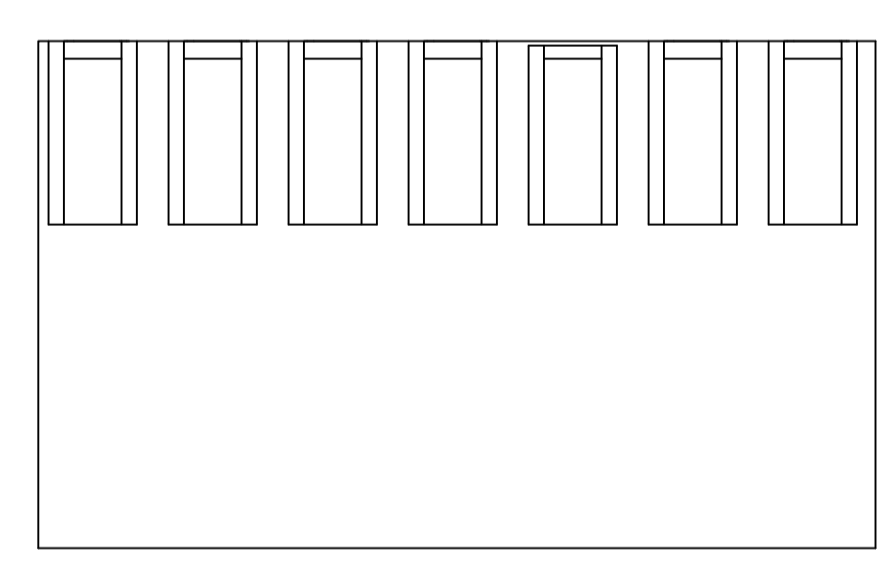
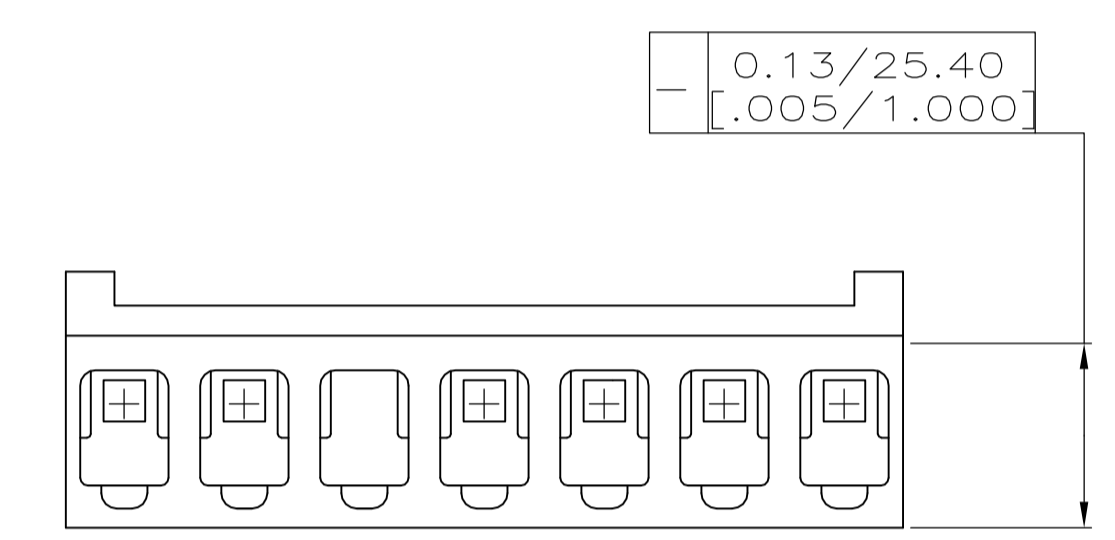
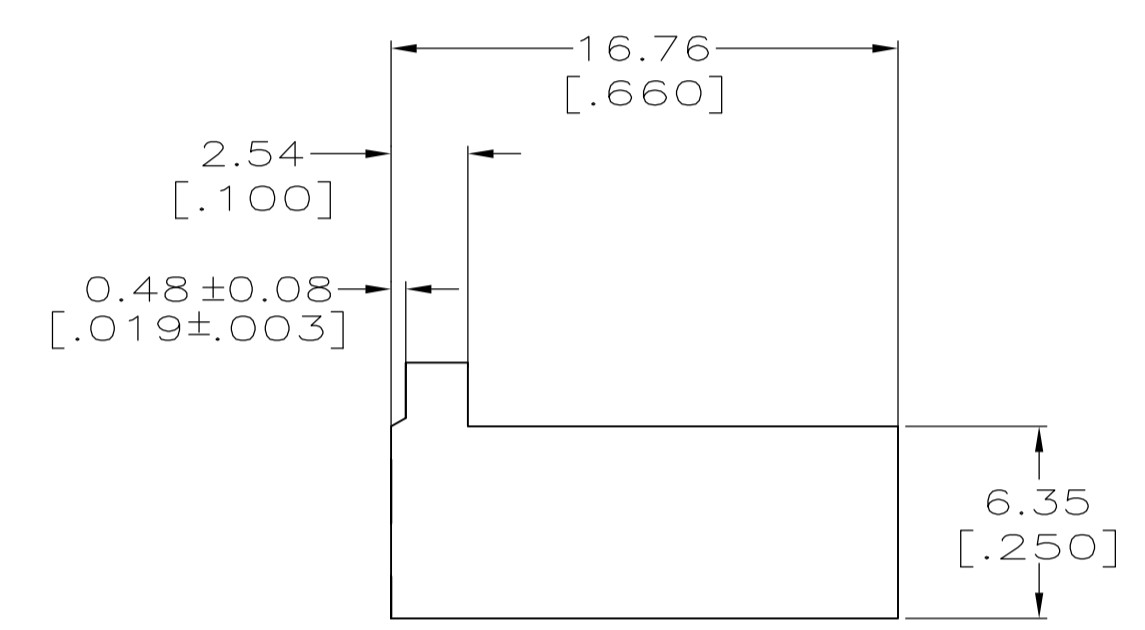
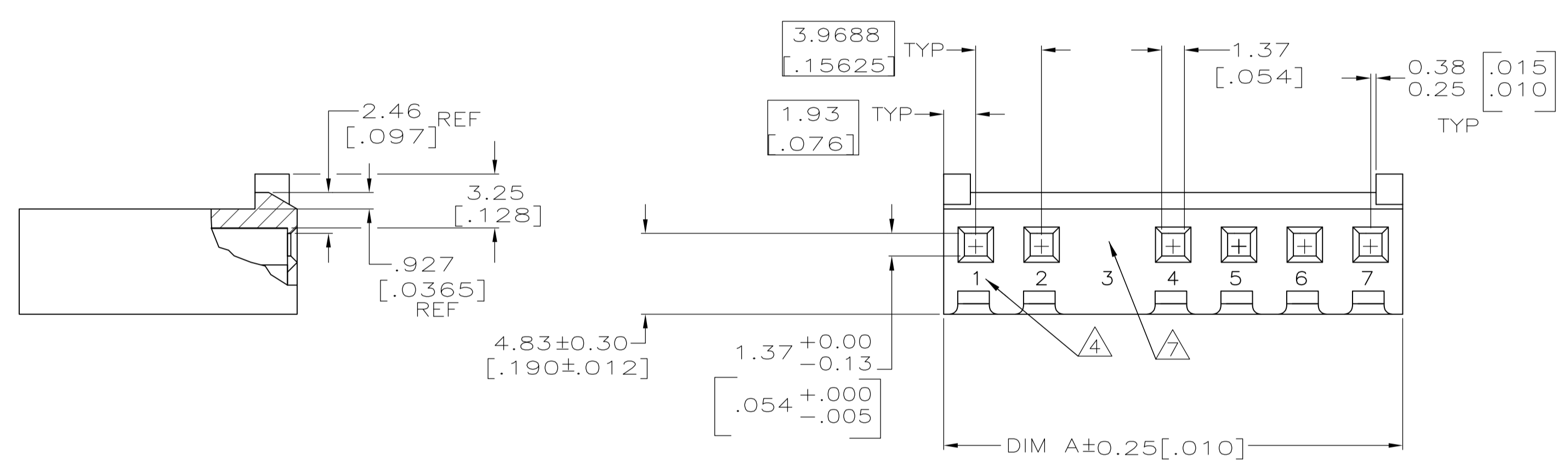
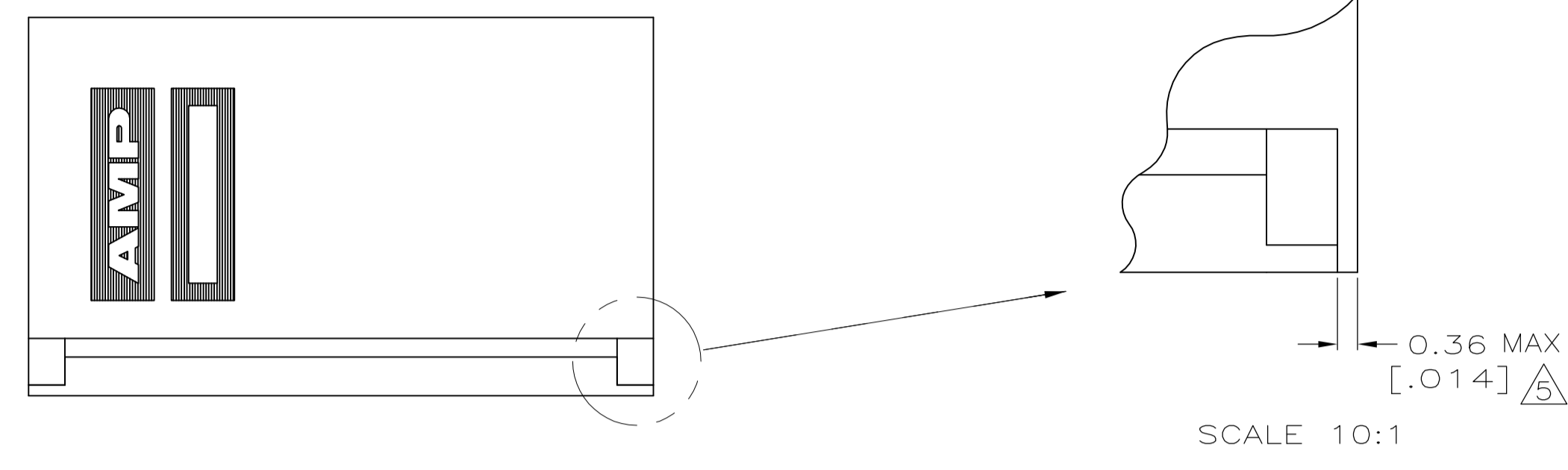


LOC		DIST		REVISIONS			
CM	54	REV	DATE	BY	CHKD	APPD	
B		REVISED PER ECR-13-001287	08FEB13	KH	TM		

- 1 UNIT ACCEPTS 1.14[.045] SQUARE OR ROUND POST.
- 2 UNIT ACCEPTS STANDARD SL-156 CONTACTS.
- 3 UNIT ACCEPTS KEYING PLUG 640254-1 AND KEYING PIN 640255-1.
- 4 IDENTIFICATION NUMBER FOR ALL POSITIONS, OR FOR POSITION 1 ONLY, WILL BE LOCATED AS SHOWN.
- 5 OPTIONAL CONSTRUCTION, BOTH ENDS.
- 6 DIMENSIONS IN BRACKETS ARE IN INCHES.
- 7 CIRCUIT NO.3 IS MOLDED CLOSED, USING EITHER OPTION A OR OPTION B.



3-DIMENSIONAL MODEL NTS

27.69[1.090]	7	1744415-1
DIM A	NO OF POSN	PART NUMBER

THIS DRAWING IS A CONTROLLED DOCUMENT.		DIN JR_RUTH 25OCT11		STE TE Connectivity	
DIMENSIONS: mm [INCHES]		TOLERANCES UNLESS OTHERWISE SPECIFIED:		APVD SAM_MACE 25OCT11	
0 PLG	± -	1 PLG	± -	NAME	
1 PLG	± -	2 PLG	± -	HOUSING WITH LOCKING RAMP AND POLARIZING TABS, CIRCUIT NO. 3 CLOSED, SL-156	
2 PLG	± -	3 PLG	± 0.13 [.005]	PRODUCT SPEC	
3 PLG	± -	4 PLG	± -	APPLICATION SPEC	
4 PLG	± -	ANGLES	± -	SIZE	
MATERIAL NYLON,UL 94V-0		FINISH -		WEIGHT	
				A1 00779 C=1744415	
CUSTOMER DRAWING		SCALE 4:1		SHEET 1 OF 1 REV B	