

# ALUMINUM ELECTROLYTIC CAPACITORS



Premium Grade Type, For Audio Equipment



- Premium grade “nichicon MUSE” acoustic series.
- Ideally suited for first class audio equipment where qualitative and quantitative comfortableness is required.
- Compliant to the RoHS directive (2011/65/EU,(EU)2015/863).

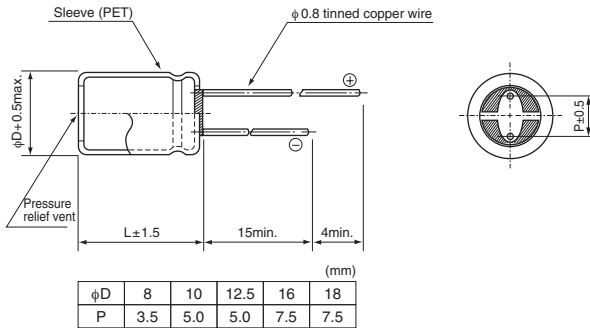


## Specifications

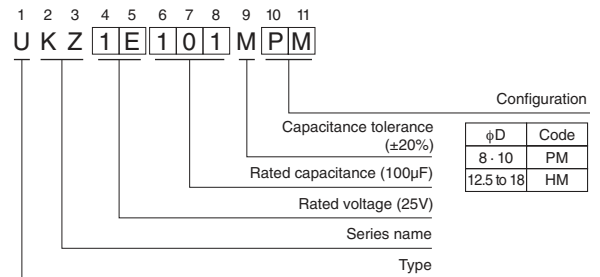
Item	Performance Characteristics									
Category Temperature Range	-40 to +85°C									
Rated Voltage Range	25 to 100V									
Rated Capacitance Range	10 to 1000μF									
Capacitance Tolerance	±20% at 120Hz, 20°C									
Leakage Current ※	After 1 minute's application of rated voltage at 20°C, leakage current is 0.01CV or less.									
Tangent of loss angle (tan δ)	Measurement frequency : 120Hz at 20°C									
	Rated voltage (V)	25	50	100						
	tan δ (max.)	0.12	0.08	0.07						
Stability at Low Temperature	Measurement frequency : 120Hz									
	Rated voltage (V)	25	50	100						
	Impedance ratio (max.)	Z(-25°C) / Z(+20°C)	2	2						
		Z(-40°C) / Z(+20°C)	4	3						
Endurance	The specifications listed at right shall be met when the capacitors are restored to 20°C after the rated voltage is applied for 1000 hours at 85°C.		<table border="1"> <tr> <td>Capacitance change</td> <td>Within ±20% of the initial capacitance value</td> </tr> <tr> <td>tan δ</td> <td>150% or less than the initial specified value</td> </tr> <tr> <td>Leakage Current</td> <td>Less than or equal to the initial specified value</td> </tr> </table>		Capacitance change	Within ±20% of the initial capacitance value	tan δ	150% or less than the initial specified value	Leakage Current	Less than or equal to the initial specified value
	Capacitance change	Within ±20% of the initial capacitance value								
tan δ	150% or less than the initial specified value									
Leakage Current	Less than or equal to the initial specified value									
Shelf Life	After storing the capacitors under no load at 85°C for 1000 hours and then performing voltage treatment based on JIS C 5101-4 clause 4.1 at 20°C, they shall meet the specified values for the endurance characteristics listed above.									
Marking	Printed with gold color letter on black sleeve.									

※ I : Leakage Current (μA), C : Rated Capacitance (μF), V : Rated Voltage (V)

## Radial Lead Type



## Type numbering system (Example : 25V 100μF)



- Please refer to the Guidelines for Aluminum Electrolytic Capacitors for end seal configuration information.

● Dimension table in next page.

UKZ

## ■ Dimensions

Rated Voltage (V) (code)	Rated Capacitance ( $\mu$ F)	Case Size $\phi$ D $\times$ L (mm)	$\tan \delta$	Leakage Current ( $\mu$ A) (at 20°C after 1 minute)	Part Number
25 (1E)	33	8 $\times$ 11.5	0.12	8.25	UKZ1E330MPM
	47	10 $\times$ 12.5	0.12	11.75	UKZ1E470MPM
	100	10 $\times$ 16	0.12	25	UKZ1E101MPM
	220	12.5 $\times$ 20	0.12	55	UKZ1E221MHH
	330	12.5 $\times$ 25	0.12	82.5	UKZ1E331MHH
	470	16 $\times$ 25	0.12	117.5	UKZ1E471MHH
	1000	16 $\times$ 35.5	0.12	250	UKZ1E102MHH
50 (1H)	22	8 $\times$ 11.5	0.08	11	UKZ1H220MPM
	33	10 $\times$ 12.5	0.08	16.5	UKZ1H330MPM
	47	10 $\times$ 16	0.08	23.5	UKZ1H470MPM
	100	12.5 $\times$ 20	0.08	50	UKZ1H101MHH
	220	16 $\times$ 25	0.08	110	UKZ1H221MHH
	330	16 $\times$ 30.5	0.08	165	UKZ1H331MHH
	470	16 $\times$ 35.5	0.08	235	UKZ1H471MHH
	1000	18 $\times$ 40	0.08	500	UKZ1H102MHH
100 (2A)	10	8 $\times$ 11.5	0.07	10	UKZ2A100MPM
	22	10 $\times$ 16	0.07	22	UKZ2A220MPM
	33	10 $\times$ 20	0.07	33	UKZ2A330MPM
	47	12.5 $\times$ 20	0.07	47	UKZ2A470MHH
	100	16 $\times$ 25	0.07	100	UKZ2A101MHH
	220	16 $\times$ 35.5	0.07	220	UKZ2A221MHH
	330	18 $\times$ 35.5	0.07	330	UKZ2A331MHH

For cut leads, formed leads or taped parts, please add the appropriate code after the size code (12th digit).  
If there is no size code in the part number, please add size code "1" and then add the appropriate code.

- For formed lead or taped product specifications and minimum order quantity, please refer to the Guidelines for Aluminum Electrolytic Capacitors.