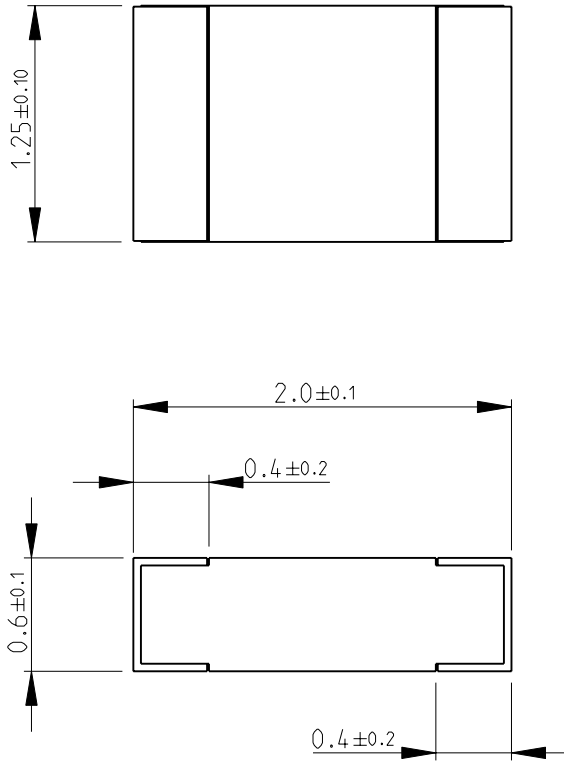
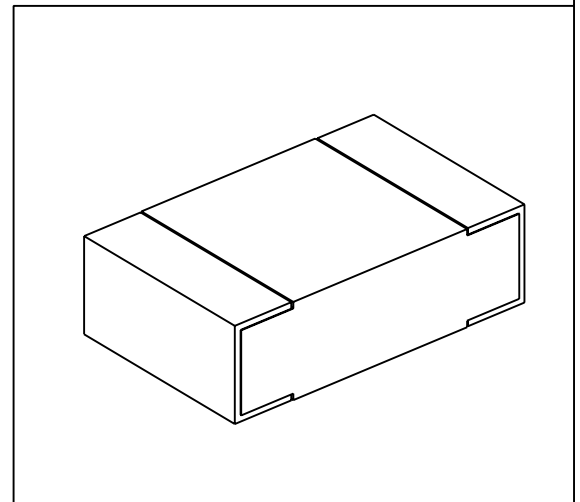


LOC	DIST	REVISIONS					
E	B	P	LTR	DESCRIPTION	DATE	DWN	APVD
			BA	NEW RELEASE	20-Sep-08	SM	St.P

FOR FURTHER INFORMATION SEE DATA SHEET FOR
CPG SERIES-THICK FILM PRECISION CHIP RESISTORS



RoHS Compliant



2008

RELEASED FOR PUBLICATION

THIS DRAWING IS UNPUBLISHED.

BY TYCO ELECTRONICS CORPORATION. ALL RIGHTS RESERVED.



DIMENSIONS: mm	DWN	20-Sep-08	MATERIAL	FINISH				
	SUBHASH.M		-	-				
TOLERANCES UNLESS OTHERWISE SPECIFIED:	CHK	20-Sep-08	Tyco Electronics Corporation Dorcan, Swindon, SN3 5HH					
	PRAKASH.S							
0 PLC ± 0.2	APVD	20-Sep-08	NAME THICK FILM PRECISION CHIP RESISTORS SERIES CPG 0805					
1 PLC ± 0.1	STEPHEN.P							
2 PLC \pm	PRODUCT SPEC	-	SIZE	CAGE CODE	DRAWING NO	RESTRICTED TO		
3 PLC \pm	APPLICATION SPEC	-	A 4	00779	© = 1623704	-		
4 PLC \pm	WEIGHT	-	CUSTOMER DRAWING		SCALE	SHEET	OF	REV
ANGLES $\pm 5^\circ$					25:1	1	1	BA