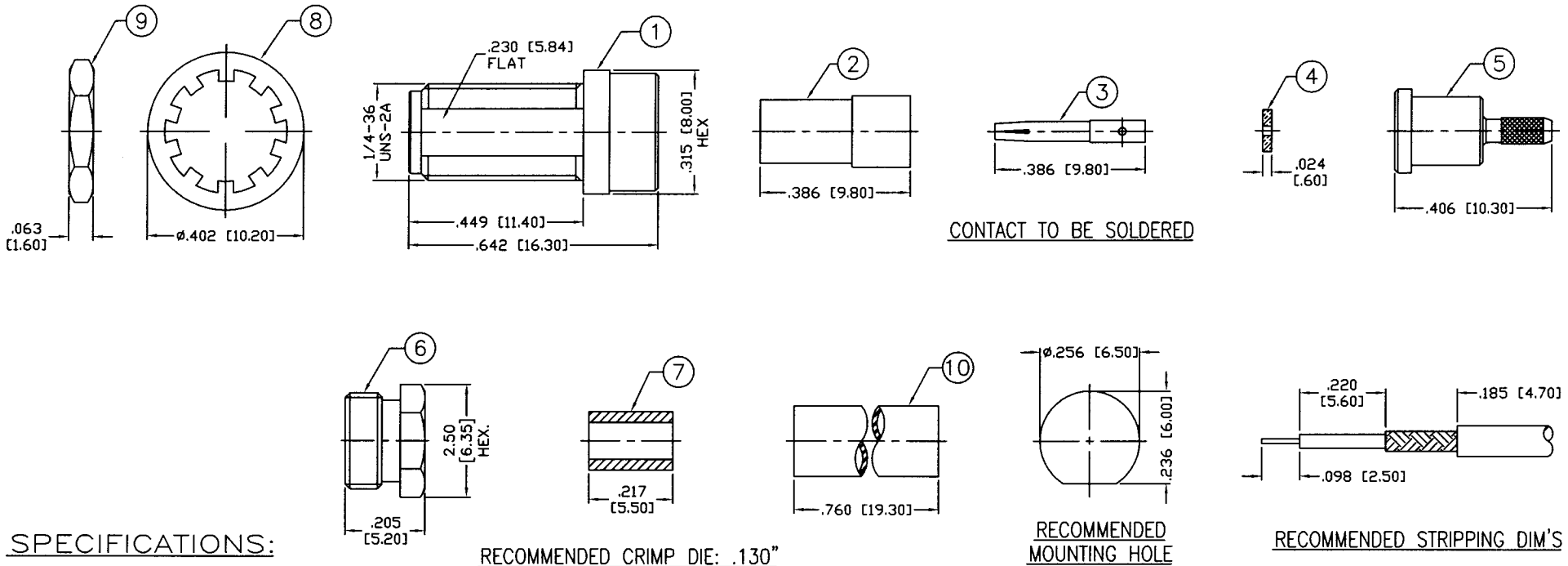


THIS DRAWING CONTAINS INFORMATION PROPRIETARY TO RF INDUSTRIES.
 ANY UNAUTHORIZED USE OF THIS DRAWING IS EXPRESSLY PROHIBITED
 WITHOUT WRITTEN PERMISSION FROM RF INDUSTRIES.
 ANY VIOLATION IS PUNISHABLE UNDER U.S. COPYRIGHT LAWS.

ALL DIMENSIONS ARE REFERENCE ONLY

PART NO.		RSA-3252-A		
REV	DESCRIPTION	DWN	DATE	APPROVED
-	ENGINEERING RELEASE	CZS	7/16/02	JDMc



CONTACT TO BE SOLDERED

RECOMMENDED MOUNTING HOLE

RECOMMENDED STRIPPING DIM'S

SPECIFICATIONS:

IMPEDANCE: 50 Ohms
 FREQUENCY RANGE: 0-12.4 GHz
 INSERTION LOSS(dB): $0.03 \times \sqrt{f(\text{GHz})}$
 WORKING VOLTAGE: 500 V rms Max. @ Sea Level (RG-58)
 INSULATION RESISTANCE: 5k M Ohms min.
 TEMPERATURE RANGE: -65°C TO 165°C
 FOR RG-178, 178A, 178B, 196 & 196A/U CABLE

RECOMMENDED CRIMP DIE: .130"

1 BODY	1 BRASS	NICKEL, 100μ"	008974		
2 INSULATOR	1 PTFE	----			
3 CONTACT	1 Be.Cu.	GOLD, 50μ"			
4 INSULATOR	1 PTFE	----			
5 FERRULE STUD	1 BRASS	NICKEL, 100μ"			
6 HEX NUT	1 BRASS	NICKEL, 100μ"			
7 FERRULE	1 COPPER	NICKEL, 100μ"			
8 LOCK WASHER	1 BRASS	NICKEL, 100μ"			
9 HEX NUT	1 BRASS	NICKEL, 100μ"			
10 TUBING	1 HEAT SHRINK	----			
11					
12					
13					
14					
# DESCRIPTION	QTY	MATERIAL	FINISH	APPROVALS	DATE

UNLESS OTHERWISE SPECIFIED:

DIMENSIONS ARE IN INCHES AND [MILLIMETERS]
 UNLESS OTHERWISE NOTED TOLERANCES ARE:

DECIMALS	DIAMETER
----------	----------

DRAWN C. ZUNIGA 9/14/04
 CHECKED [Signature] 9/15/04
 ORJ DRAWN C. ZUNIGA 9/14/04

RF connectors
 DIVISION OF RF INDUSTRIES, LTD.

7610 MIRAMAR RD
 SAN DIEGO, CA 92126
 (858) 549-6340
 (858) 549-6345 FAX

SMA JACK, CRIMP
 BULKHEAD

SIZE	CABLE GROUP	DWG NO.	REV
A	A	RSA-3252-A	-

SCALE: NTS CAD FILE: OUTLINE SHEET 1 OF 1