

W-LAN+Bluetooth Combo Module Data Sheet

Infineon Chipset CYW43012
for 802.11a/b/g/n,11ac-friendly + Bluetooth 5.0

Tentative P/N :LBEE59B1LV-TEMP

The revision history of the product specification

Revised No.	Revised Date	Note
-	2017.07.07	First Issue
A	2017.10.02	P4. Updated Block Diagram P6,8. Updated Pin Layout
B	2017.10.10	Cover. Added 11ac-friendly P4. Added 11ac-friendly on Scope
C	2018.04.04	P35. Added Reference circuit
D	2018.06.01	P10. Updated Supply voltage condition P25-31. Updated DC/RF characteristics
E	2018.08.02	P4. Updated Wright/MSL information P31-32. Updated BT output power spec P34 Updated Reference schematic(Added (*5)) P35 Added Tape and Reel packing information
F	2018.10.25	P4. Added "MAC/BD address are embedded P5. Updated Marking information P10. Updated VDDIO_SFL spec(8.OPERATING CONDITION) P13. Added digital I/O requirements BT/WL_REG_ON
G	2018.12.28	P33. Revised Reference circuit
H	2019.03.26	P5. Corrected Demotions(Added a5,c5)
I	2019.04.24	P40. Updated 18.PRECONDITION TO USE OUR PRODUCTS
J	2019.07.05	P5. Added Certification information Appendix : Added User manual for Japan certification
K	2019.09.26	P5. Certification information: Added P6. Dimensions: added e12 number
L	2019.10.17	P10. Dimensions : added pin 80(corrected) P34. Reference circuit : added pin64(corrected)
M	2019.11.21	Updated based on the latest Cypress IC datasheet (Rev.L). P7. Pin Layout : Updated P8. Pin Description: Updated Removed PCM/I2S interface timing
N	2021.03.25	P5. Corrected marking information.
O	2022.06.10	Silicon manufacturer name is revised

TABLE OF CONTENTS

1.	SCOPE.....	3
2.	KEY FEATURE	3
3.	Part Number	3
4.	RoHS Compliance	3
5.	Block Diagram	3
6.	Certification Information	4
6.1.	Radio Certification	4
	USA	4
	Canada	4
	Europe	4
	Japan.....	4
6.2.	Bluetooth® Qualification.....	4
7.	DIMENSIONS, MARKING AND TERMINAL CONFIGURATIONS	5
7.1.	Dimensions	5
7.2.	Pin Layout.....	6
7.3.	Module PIN Descriptions.....	7
8.	ABSOLUTE MAXIMUM RATINGS*2).....	10
9.	OPERATING CONDITION*3)	10
10.	External LPO Signal Requirement.....	10
11.	POWER ON SEQUENCE	11
11.1.	Power On Sequence for WLAN ON and BT ON.....	11
11.2.	Power On Sequence for WLAN ON and BT Off	11
11.3.	Power On Sequence for WLAN OFF and BT ON.....	12
11.4.	Power On Sequence for WLAN OFF and BT OFF	12
12.	Digital I/O Requirements	13
13.	INTERFACE TIMING AND AC CHARACTERISTICS	14
13.1.	Bluetooth UART Timing	14
13.2.	SDIO Timing	15
13.2.1.	SDIO Default Mode Timing.....	15
13.2.2.	SDIO High-Speed Mode Timing.....	16
13.2.3.	SDIO BUS Timing Specifications in SDR Modes	17
14.	DC / RF Characteristics.....	19
14.1.	DC/RF Characteristics for IEEE802.11b - 2.4GHz	19
14.2.	DC/RF Characteristics for IEEE802.11g - 2.4GHz	20
14.3.	DC/RF Characteristics for IEEE802.11n - 2.4GHz	21
14.4.	DC/RF Characteristics for IEEE802.11a - 5GHz	22
14.5.	DC/RF Characteristics for IEEE802.11n(HT20) - 5GHz	23
14.6.	DC/RF Characteristics for IEEE802.11ac(VHT20) - 5GHz	24
14.7.	DC/RF Characteristics for Bluetooth	25
14.8.	DC/RF Characteristics for Bluetooth (LE).....	26
15.	LAND PATTERN (TOP VIEW)	27
16.	REFERENCE CIRCUIT.....	28
17.	TAPE AND REEL PACKING.....	29
18.	NOTICE.....	32
18.1.	Storage Conditions:	32
18.2.	Handling Conditions:	32
18.3.	Standard PCB Design (Land Pattern and Dimensions):	32
18.4.	Notice for Chip Placer:	32
18.5.	Soldering Conditions:	33
18.6.	Cleaning:	33
18.7.	Operational Environment Conditions:	33
18.8.	Input Power Capacity:.....	34
19.	PRECONDITION TO USE OUR PRODUCTS	35

Please be aware that an important notice concerning availability, standard warranty and use in critical applications of Murata products and disclaimers thereto appears at the end of this specification sheet.

Preliminary

< Specification may be changed by Murata without notice >

Murata Manufacturing Co., Ltd.

1. SCOPE

This specification is applied to the IEEE802.11a/b/g/n, IEEE802.11ac-friendly*¹⁾ W-LAN + Bluetooth 5.0 combo module.

*¹⁾IEEE 802.11ac full-compliance requires support for 40 MHz and 80 MHz channel bandwidths. Infineon/CYW43012 only supports 20 MHz channel bandwidth however it supports 802.11ac's 256-QAM for the 20 MHz channels in the 5GHz band enabling it to offer higher throughput and lower energy per bit than 802.11n only products.

2. KEY FEATURE

- Infineon/ CYW43012 inside
- Compliant with IEEE802.11a/b/g/n, 11ac-friendly*¹⁾
- Compliant with Bluetooth specification v5.0
- SDIO interface for W-LAN
- Interface support for Bluetooth is Host Controller Interface (HCI)
- Surface mount type 10.0 x 7.2 mm (Typical), H = 1.4 mm (Max)
- MAC/BD address are embedded
- Weight : 0.23g
- MSL : 3

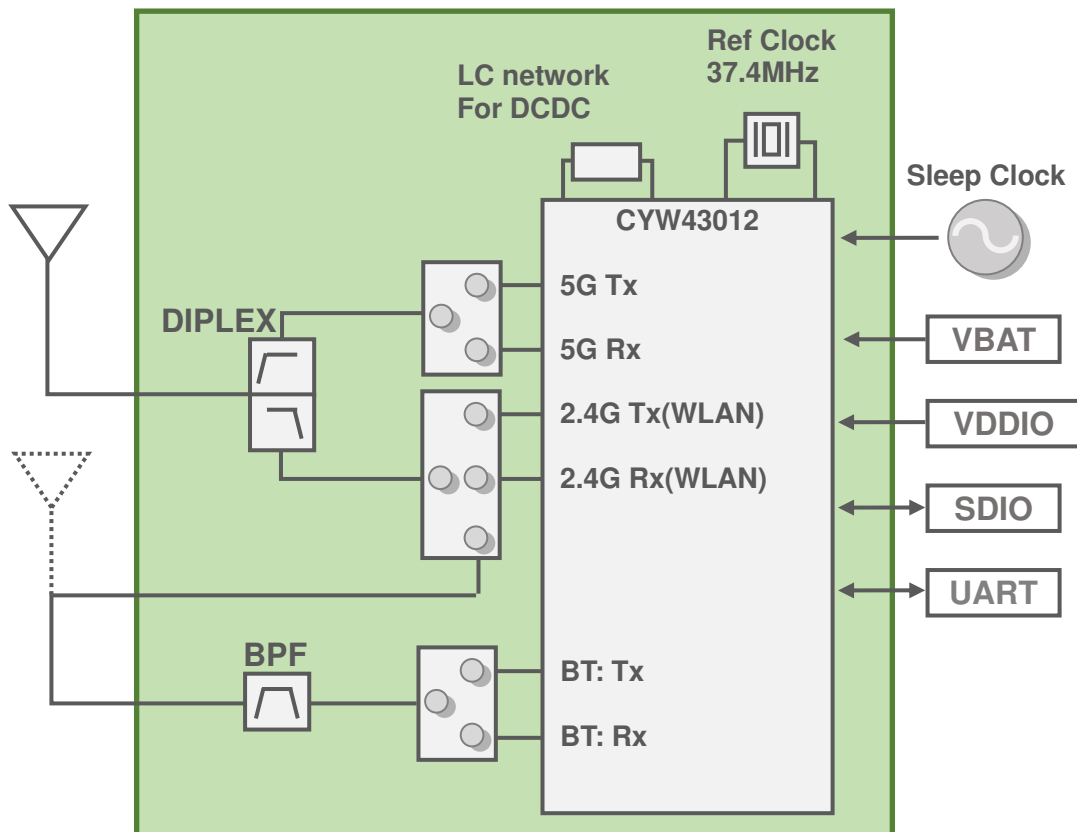
3. Part Number

Ordering Part Number	Description
LBEE59B1LV-TEMP	In case of sample order
LBEE59B1LV-TEMP-D	EVK

4. RoHS Compliance

This module is compliant with the RoHS directive.

5. Block Diagram



6. Certification Information

6.1. Radio Certification

USA

FCC ID : VPYLBEE59B1LV

Country Code: US/0

*Please follow user/installation manual of Appendix

Canada

IC : 772C-LBEE59B1LV

Country Code: CA/0

*Please follow user/installation manual of Appendix

Europe

EN300328/301893 v2.1.1, EN300440 v2.2.1 conducted test report is prepared.

Country Code: DE/0

Japan

Japanese type certification is prepared.

Ⓡ 001-P01338

Country Code: JP/0

*Please follow manual of Appendix

The each country code are defined by Murata Blob/Nvram file.

Murata prepared 4 kinds of Blob files.

- STA/Indoor: US/CA/DE/JP
- STA/Outdoor: US/CA/DE/JP
- AP/Indoor: US/CA/DE/JP
- AP/Outdoor :US/CA/DE

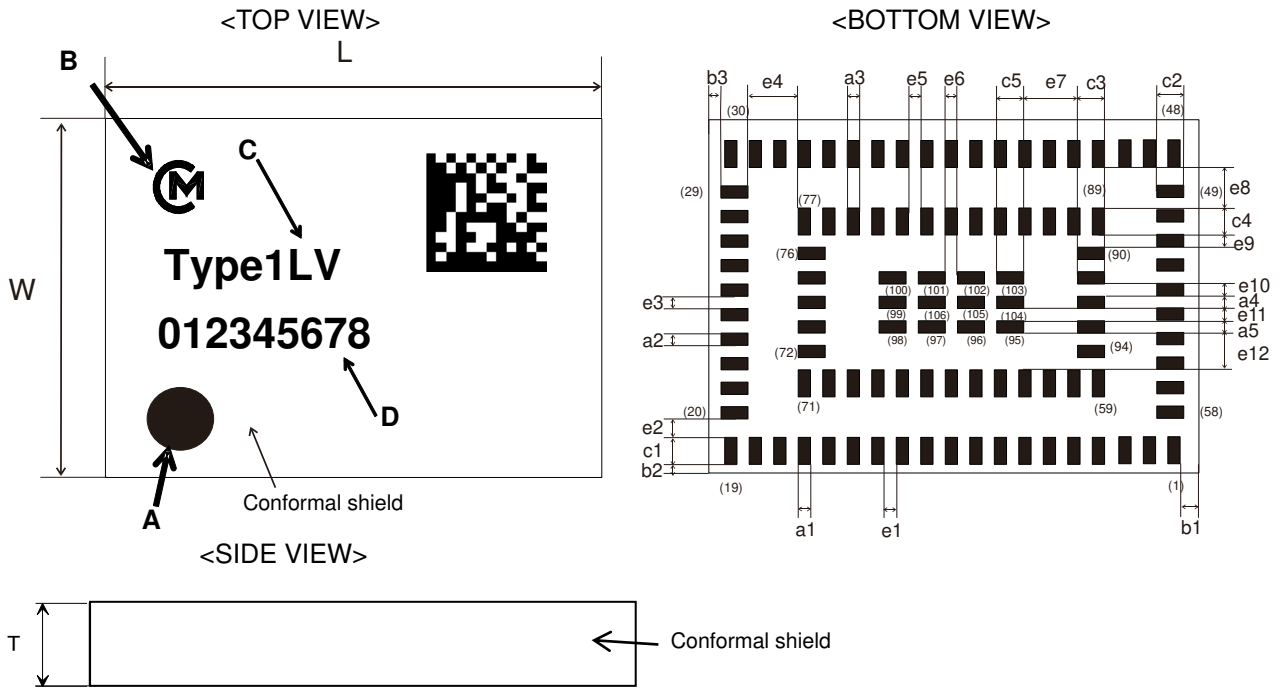
Please ask your contact person from Murata.

6.2. Bluetooth® Qualification

QDID: 125836

7. DIMENSIONS, MARKING AND TERMINAL CONFIGURATIONS

7.1. Dimensions

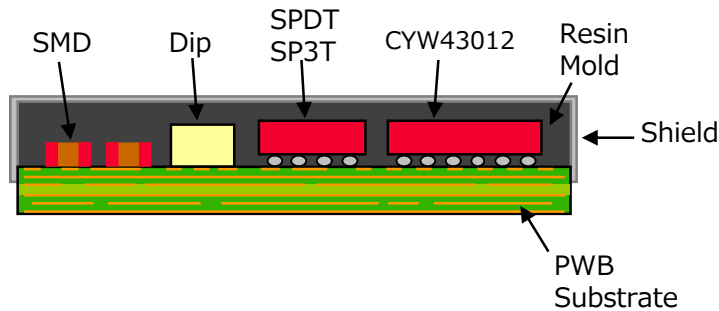


(unit : mm)

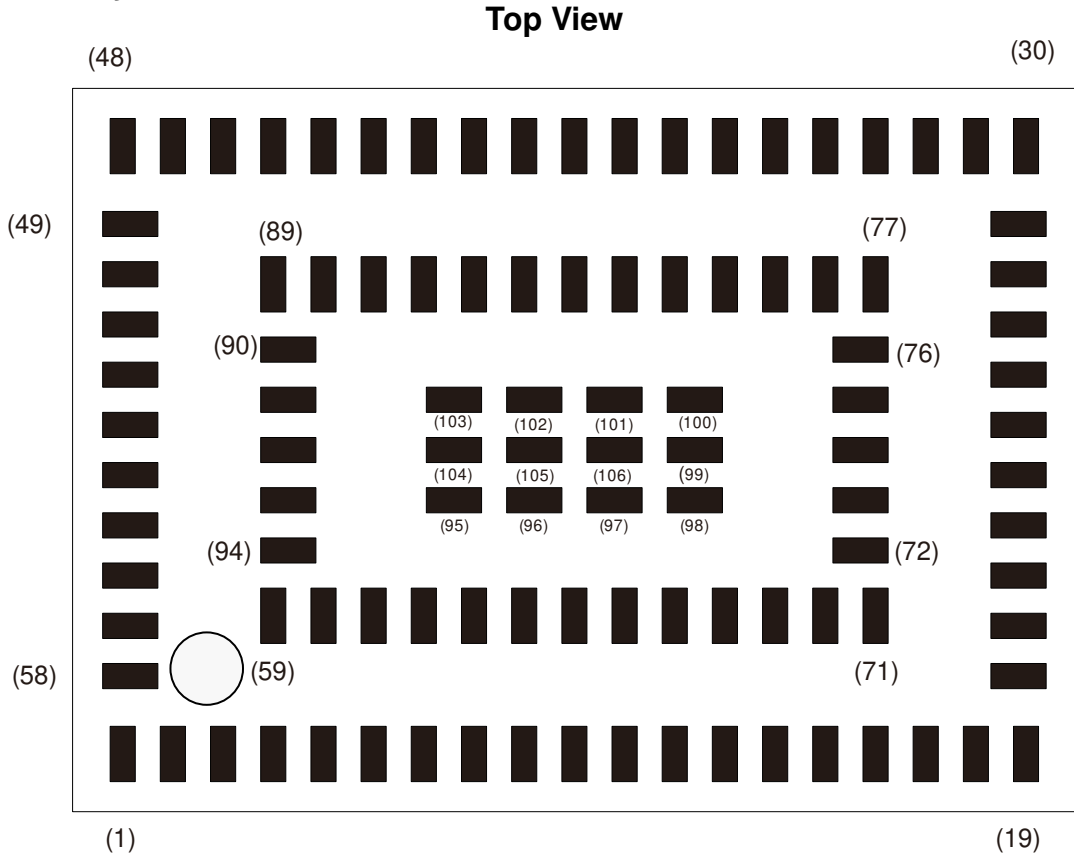
Mark	Dimensions	Mark	Dimensions	Mark	Dimensions
L	10.0 +/- 0.2	W	7.2 +/- 0.2	T	1.4max
a1	0.25 +/- 0.1	a2	0.25 +/- 0.1	a3	0.25 +/- 0.1
a4	0.25 +/- 0.1	a5	0.25 +/- 0.1	b1	0.375 +/- 0.2
b2	0.30 +/- 0.2	b3	0.30 +/- 0.2	c1	0.55 +/- 0.1
c2	0.55 +/- 0.1	c3	0.55 +/- 0.1	c4	0.55 +/- 0.1
c5	0.55 +/- 0.1	e1	0.25 +/- 0.1	e2	0.375 +/- 0.1
e3	0.25 +/- 0.1	e4	1.025 +/- 0.1	e5	0.25 +/- 0.1
e6	0.25 +/- 0.1	e7	1.100 +/- 0.1	e8	0.825 +/- 0.1
e9	0.25 +/- 0.1	e10	0.25 +/- 0.1	e11	0.25 +/- 0.1
e12	0.75 +/- 0.1				

Marking	Meaning
A	Pin 1 Marking
B	Murata Logo
C	Module Type
D	Inspection Number

Structure



7.2. Pin Layout



No.	Pin name	No.	Pin name	No.	Pin name	No.	Pin name
1	GND	25	SDIO_DATA_3	49	BT_RF_OUT	73	GND
2	GND	26	SDIO_CMD	50	GND	74	SFL_IO0
3	GND	27	GND	51	BT_RF_IN	75	SFL_IO3
4	VDDIO_SFL	28	VDDOUT_VDDIO	52	GND	76	SFL_IO2
5	BT_HOST_WAKE	29	BT_GPIO_0	53	GND	77	SFL_CLK
6	GND	30	GND	54	RF_SW_CTRL_6	78	SFL_IO1
7	WL_HOST_WAKE	31	BT_UART_TXD	55	RF_SW_CTRL_10	79	SFL_CS
8	WL_GPIO_1	32	BT_UART_RXD	56	RF_SW_CTRL_5	80	EXT_LPO
9	BT_REG_ON	33	BT_UART_RTS	57	GND	81	CLK_REQ
10	WL_REG_ON	34	BT_UART_CTS	58	ANT0	82	BT_PCM_OUT
11	GND	35	VDDIO	59	GND	83	BT_PCM_SYNC
12	VOUT_3P3	36	GND	60	GND	84	BT_PCM_IN
13	VBAT	37	P9	61	WL_GPIO_15	85	BT_PCM_CLK
14	VBAT	38	P11	62	WL_GPIO_13	86	BT_I2S_WS
15	GND	39	P13	63	WL_GPIO_12	87	BT_I2S_CLK
16	RF_SW_CTRL_8	40	P5	64	WL_GPIO_14	88	BT_I2S_DI
17	RF_SW_CTRL_12	41	P6	65	GND	89	BT_I2S_DO
18	RF_SW_CTRL_11	42	P8	66	WL_GPIO_5	90	BT_GPIO_2
19	GND	43	P7	67	WL_GPIO_4	91	BT_GPIO_5
20	GND	44	P12	68	WL_GPIO_3	92	BT_GPIO_4
21	SDIO_DATA_2	45	P0	69	WL_GPIO_2	93	BT_GPIO_3
22	SDIO_DATA_1	46	P1	70	NC	94-106	GND
23	SDIO_DATA_0	47	GND	71	WL_GPIO_6	-	-
24	SDIO_CLK	48	GND	72	GND	-	-

7.3. Module PIN Descriptions

No.	Pin name	Type	Connection to IC pin name	Description
1	GND	-	GND	Ground
2	GND	-	GND	Ground
3	GND	-	GND	Ground
4	VDDIO_SFL	I	VDDIO_SFL	DC supply voltage for SFLASH I/O
5	BT_HOST_WAKE	O	BT_HOST_WAKE	Bluetooth host wake
6	GND	-	GND	Ground
7	WL_HOST_WAKE	I/O	GPIO_0	WL_HOST_WAKE
8	WL_GPIO_1	I/O	GPIO_1	WLAN general-purpose I/Os
9	BT_REG_ON	I	BT_REG_ON	Used by the PMU to power-up or power-down the internal regulators used by the Bluetooth section
10	WL_REG_ON	I	WL_REG_ON	Used by the PMU to power up or power down the internal regulators used by the WLAN section
11	GND	-	GND	Ground
12	VOOUT_3P3	O	VDDOUT_RF3P3 VDDIO_RF1	Output of 3.3V RF LDO
13	VBAT	I	SR_VDDBAT5 LDO_VDDBAT5 WRF_GENTRAL_VDD_V5P0 WRF_TX_VDD_V5P0 ET_LINREG_VDD_V5P0 ET_SWREG_VDD_V5P0	Power supply
14	VBAT			
15	GND	-	GND	Ground
16	RF_SW_CTRL_8	O	RF_SW_CTRL_8	Programmable RF switch-control lines
17	RF_SW_CTRL_12	O	RF_SW_CTRL_12	Programmable RF switch-control lines
18	RF_SW_CTRL_11	O	RF_SW_CTRL_11	Programmable RF switch-control lines
19	GND	-	GND	Ground
20	GND	-	GND	Ground
21	SDIO_DATA_2	I/O	SDIO_DATA_2	SDIO data line 2
22	SDIO_DATA_1	I/O	SDIO_DATA_1	SDIO data line 1
23	SDIO_DATA_0	I/O	SDIO_DATA_0	SDIO data line 0
24	SDIO_CLK	I	SDIO_CLK	SDIO clock
25	SDIO_DATA_3	I/O	SDIO_DATA_3	SDIO data line 3
26	SDIO_CMD	I/O	SDIO_CMD	SDIO command line
27	GND	-	GND	Ground
28	VDDOUT_VDDIO	O	VDDOUT_VDDIO OTP_VDD1P8 VDDP_RF1 VDDP_SFL	output for 1.8V power switch
29	BT_GPIO_0	I/O	BT_GPIO_0	Bluetooth general-purpose I/Os
30	GND	-	GND	Ground
31	BT_UART_TXD	O	BT_UART_TXD	UART serial output
32	BT_UART_RXD	I	BT_UART_RXD	UART serial input
33	BT_UART_RTS	O	BT_UART_RTS_N	UART request-to-send
34	BT_UART_CTS	I	BT_UART_CTS_N	UART clear-to-send

No.	Pin name	Type	Connection to IC pin name	Description
35	VDDIO	I	VDDIO PMU_VDDIOA PMU_VDDIOP STRAP_OFF_1P8 VDD18_FLL,BT_VDDO BT_VDDO_HIB PAD_ADC_AVDDC	Power supply
36	GND	-	GND	Ground
37	P9	I/O	P9	Programmable LHL/HIB pads
38	P11	I/O	P11	Programmable LHL/HIB pads
39	P13	I/O	P13	Programmable LHL/HIB pads
40	P5	I/O	P5	Programmable LHL/HIB pads P5 is used as BT_DEV_WAKE
41	P6	I/O	P6	Programmable LHL/HIB pads
42	P8	O	P8	Programmable LHL/HIB pads *Output Only
43	P7	I/O	P7	Programmable LHL/HIB pads P7 is used as WL_DEV_WAKE
44	P12	I/O	P12	Programmable LHL/HIB pads
45	P0	I/O	P0	Programmable LHL/HIB pads
46	P1	I/O	P1	Programmable LHL/HIB pads
47	GND	-	GND	Ground
48	GND	-	GND	Ground
49	BT_RF_OUT	I/O		Bluetooth Antenna
50	GND	-	GND	Ground
51	BT_RF_IN	I/O	(SP3T)	BT/WiFi one antenna: Routed to BT_RF_OUT Separate BT/WiFi antenna: connect to 50ohm terminal.
52	GND	-	GND	Ground
53	GND	-	GND	Ground
54	RF_SW_CTRL_6	O	RF_SW_CTRL_6	NC
55	RF_SW_CTRL_10	O	RF_SW_CTRL_10	Programmable RF switch-control lines
56	RF_SW_CTRL_5	O	RF_SW_CTRL_5	NC
57	GND	-	GND	Ground
58	ANT0	I/O		
59	GND	-	GND	Ground
60	GND	-	GND	Ground
61	WL_GPIO_15	I/O	GPIO_15	Programmable GPIO lines
62	WL_GPIO_13	I/O	GPIO_13	Programmable GPIO lines
63	WL_GPIO_12	I/O	GPIO_12	Programmable GPIO lines
64	WL_GPIO_14	I/O	GPIO_14	Programmable GPIO lines
65	GND	-	GND	Ground
66	WL_GPIO_5	I/O	GPIO_5	Programmable GPIO lines
67	WL_GPIO_4	I/O	GPIO_4	Programmable GPIO lines
68	WL_GPIO_3	I/O	GPIO_3	Programmable GPIO lines
69	WL_GPIO_2	I/O	GPIO_2	Programmable GPIO lines
70	NC	I	JTAG_SEL	Wi-Fi JTAG interface is intended to be used by Cypress's internal teams only

INNOVATOR IN ELECTRONICS

71	WL_GPIO_6	I/O	GPIO_6	Programmable GPIO lines
72	GND	-	GND	Ground
73	GND	-	GND	Ground
74	SFL_IO0	I/O	SFL_IO0	SFLASH data line 0
75	SFL_IO3	I/O	SFL_IO3	SFLASH data line 3
76	SFL_IO2	I/O	SFL_IO2	SFLASH data line 2
77	SFL_CLK	O	SFL_CLK	SFLASH clock
78	SFL_IO1	I/O	SFL_IO1	SFLASH data line 1
79	SFL_CS	O	SFL_CS	SFLASH chip select
No.	Pin name	Type	Connection to IC pin name	Description
80	EXT_LPO	I	LPO_IN	External sleep-clock input(32.768kHz)
81	CLK_REQ	I/O	CLK_REQ	Reference clock request
82	BT_PCM_OUT	O	BT_PCM_OUT	PCM data output
83	BT_PCM_SYNC	I/O	BT_PCM_SYNC	PCM sync, can be master (output) or slave (input)
84	BT_PCM_IN	I	BT_PCM_IN	PCM data input
85	BT_PCM_CLK	I/O	BT_PCM_CLK	PCM clock, can be master (output) or slave (input)
86	BT_I2S_WS	I/O	BT_I2S_WS	I2S serial word select
87	BT_I2S_CLK	I/O	BT_I2S_CLK	I2S serial clock
88	BT_I2S_DI	I	BT_I2S_DI	I2S serial data input
89	BT_I2S_DO	O	BT_I2S_DO	I2S serial data output
90	BT_GPIO_2	I/O	BT_GPIO_2	Bluetooth general-purpose I/Os
91	BT_GPIO_5	I/O	BT_GPIO_5	Bluetooth general-purpose I/Os
92	BT_GPIO_4	I/O	BT_GPIO_4	Bluetooth general-purpose I/Os
93	BT_GPIO_3	I/O	BT_GPIO_3	Bluetooth general-purpose I/Os
94-106	GND	-	GND	Ground

Preliminary

< Specification may be changed by Murata without notice >

Murata Manufacturing Co., Ltd.

8. ABSOLUTE MAXIMUM RATINGS^{*2)}

Parameter		min.	max.	Unit
Storage Temperature		-40	85	deg.C
Supply Voltage	VBAT	-0.5	5.0	V
	VDDIO	-0.5	2.2	V
	VDDIO_SFL	-0.5	4.1	V

^{*2)} Stresses in excess of the absolute ratings may cause permanent damage. Functional operation is not implied under these conditions. Exposure to absolute ratings for extended periods of time may adversely affect reliability. No damage assuming only one parameter is set at limit at a time with all other parameters are set within operating condition.

9. OPERATING CONDITION^{*3)}

Parameter		min.	typ.	max.	unit
Operating Temperature		-20	25	+70	deg.C
Supply Voltage	VBAT	3.2	-	4.4	V
	VDDIO	1.62	1.8	1.98	V
	VDDIO_SFL	1.62/2.97	1.8/3.3	1.98/3.46	V

^{*3)} Functionality is guaranteed but the specifications require the derating at over-temperatures, over-voltage condition.

10. External LPO Signal Requirement

Parameter	External LPO Clock	Unit
Nominal input frequency	32.768	kHz
Frequency accuracy	+/-250	ppm
Duty cycle	30-70	%
Input signal amplitude	500 – 1800	mVp-p
Signal type	Square-wave or sine-wave	-
Input impedance ^{*4)}	> 100k	ohm

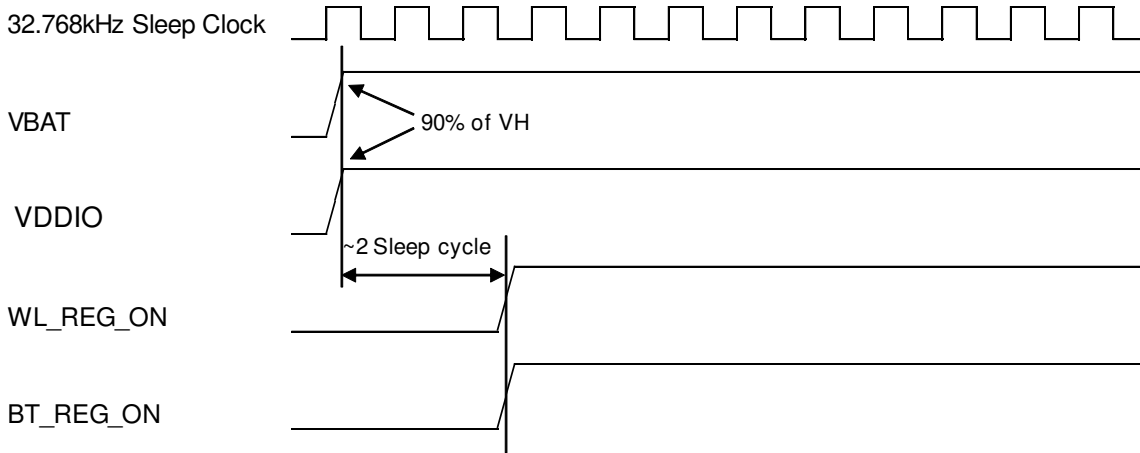
^{*4)} When power is applied or switch off

11. POWER ON SEQUENCE

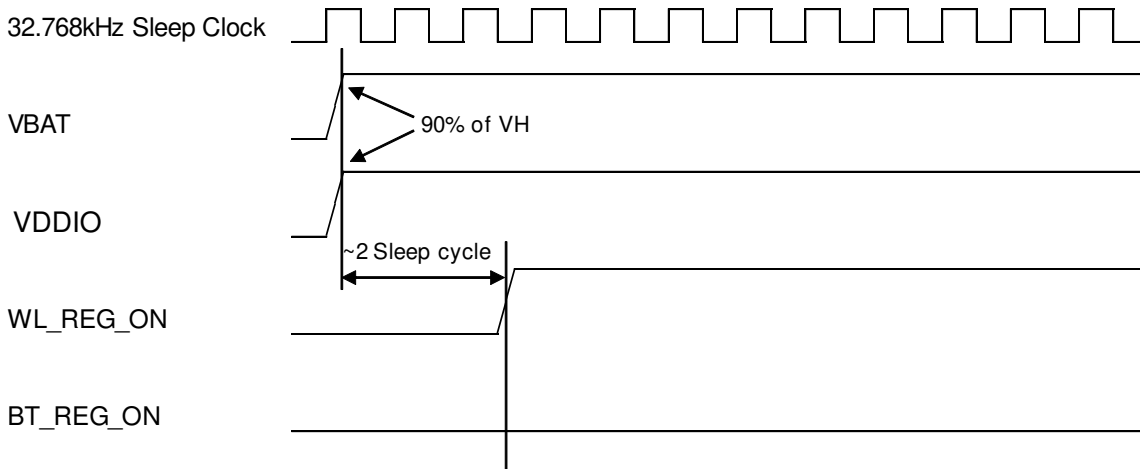
-VBAT should not rise 10%-90% faster than 40 microsecond.

-VBAT should be up before or at the same time as VDDIO. VDDIO should NOT be present first or be held high before VBAT is high.

11.1. Power On Sequence for WLAN ON and BT ON

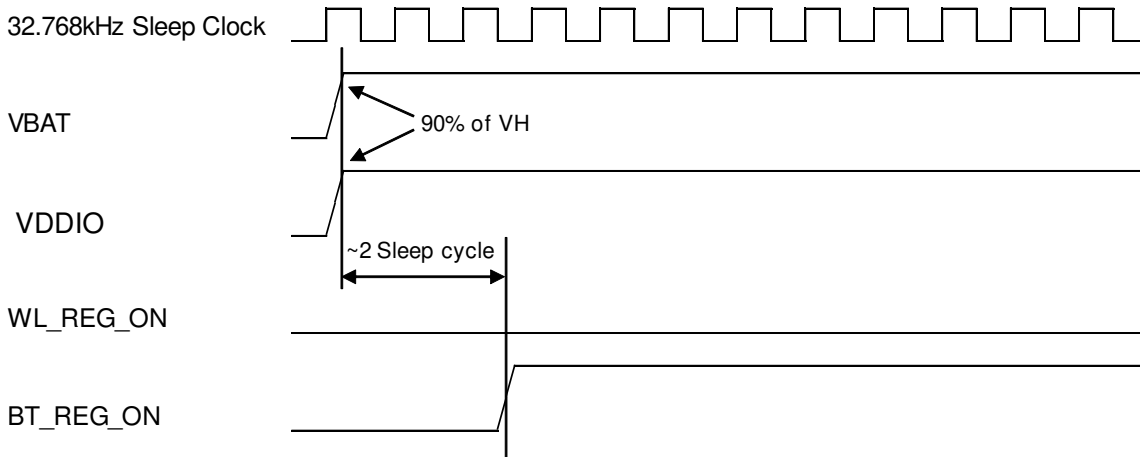


11.2. Power On Sequence for WLAN ON and BT Off

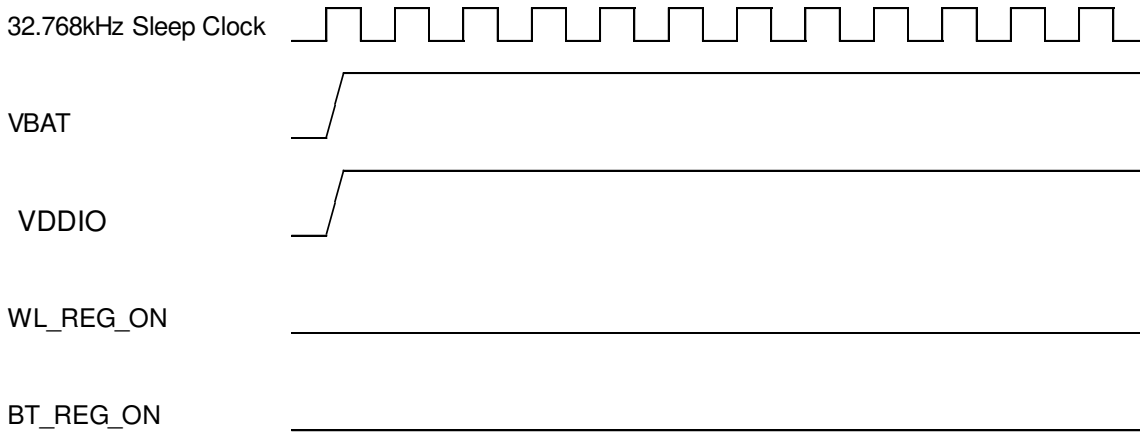


INNOVATOR IN ELECTRONICS

11.3. Power On Sequence for WLAN OFF and BT ON



11.4. Power On Sequence for WLAN OFF and BT OFF



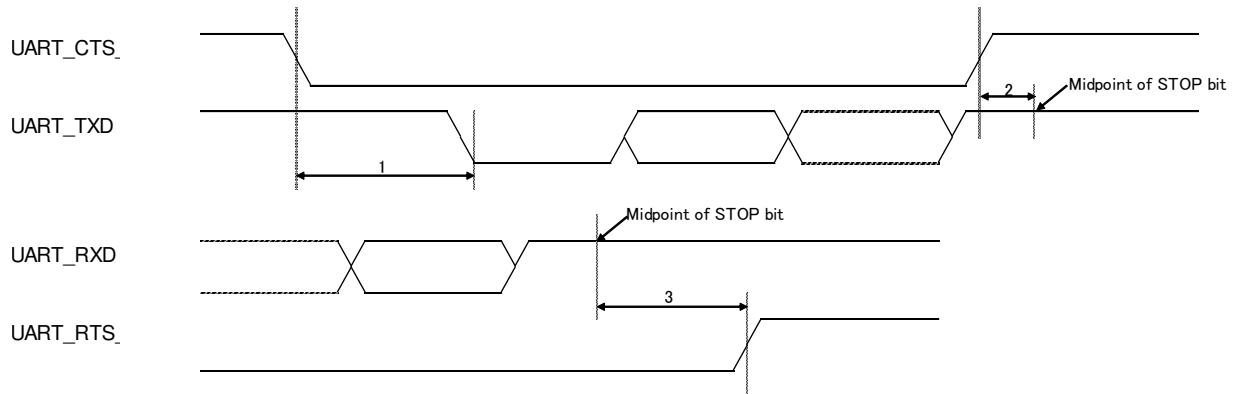
12. Digital I/O Requirements

Digital I/O Pins	Sym	min.	typ.	max.	unit
For VDDIO=1.8V:					
Input high voltage	VIH	0.65xVDDIO	-	-	V
Input low voltage	VIL	-	-	0.35xVDDIO	V
Output high voltage@2mA	VOH	VDDIO-0.45	-	-	V
Output low voltage@2mA	VOL	-	-	0.45	V

BT/WL_REG_ON	Sym	min.	typ.	max.	unit
Input high voltage	VIH	1	-	4.4	V
Input low voltage	VIL	VSS	-	0.3	V
Pull-down resistance(internal)	RPD	-	50	-	kΩ
Leakage discharged Current	ILEAK_DIS	-	28	-	nA
REG OFF time	TREG_OFF	2	-	-	ms

13. INTERFACE TIMING AND AC CHARACTERISTICS

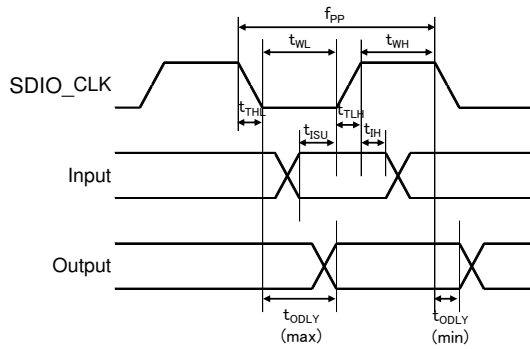
13.1. Bluetooth UART Timing



Reference	Description	Min	Typ	Max	Unit
1	Delay time, UART_CTS low to UART_TXD valid	-	-	1.5	Bit periods
2	Setup time, UART_CTS high before midpoint of stop bit	-	-	0.5	Bit periods
3	Delay time, midpoint of stop bit to UART_RTS high	-	-	0.5	Bit periods

13.2. SDIO Timing

13.2.1. SDIO Default Mode Timing



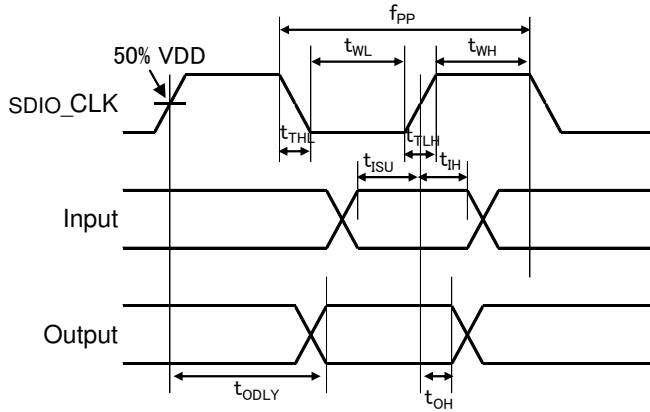
SDIO Bus Timing^(a) parameters (default Mode)

Parameter	Symbol	Min	Typ	Max	Unit
SDIO CLK (All values are referred to minimum VIH and maximum VIL^(b))					
Frequency-Data Transfer Mode	fPP	0	-	25	MHz
Frequency-Identification Mode	fOD	0	-	400	kHz
Clock Low Time	tWL	10	-	-	ns
Clock High Time	tWH	10	-	-	ns
Clock Rise Time	tTLH	-	-	10	ns
Clock low Time	tTHL	-	-	10	ns
Inputs: CMD, DAT (referenced to CLK)					
Input Setup Time	tISU	5	-	-	ns
Input Hold Time	tIH	5	-	-	ns
Outputs: CMD, DAT (referenced to CLK)					
Output Delay time-Data Transfer Mode	tODLY	0	-	14	ns
Output Delay time-Identification Mode	tODLY	0	-	50	ns

(a). Timing is based on $CL \leq 40pF$ load on CMD and Data.

(b). Min (Vih) = $0.7 \cdot VDDIO$ and max (Vil) = $0.2 \cdot VDDIO$.

13.2.2. SDIO High-Speed Mode Timing



SDIO Bus Timing^(a) parameters (High-Speed Mode)

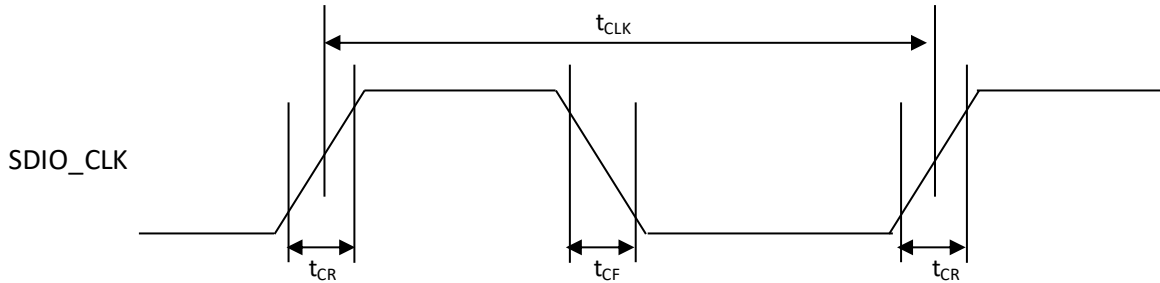
Parameter	Symbol	Min	Typ	Max	Unit
SDIO CLK (All values are referred to minimum VIH and maximum VIL^(b))					
Frequency-Data Transfer Mode	fPP	0	-	50	MHz
Frequency-Identification Mode	fOD	0	-	400	kHz
Clock Low Time	tWL	7	-	-	ns
Clock High Time	tWH	7	-	-	ns
Clock Rise Time	tTLH	-	-	3	ns
Clock low Time	tTHL	-	-	3	ns
Inputs: CMD, DAT (referenced to CLK)					
Input Setup Time	tISU	6	-	-	ns
Input Hold Time	tIH	2	-	-	ns
Outputs: CMD, DAT (referenced to CLK)					
Output Delay time-Data Transfer Mode	tODLY	-	-	14	ns
Output Hold time	tOH	2.5	-	-	ns
Total System Capacitance (each line)	CL	-	-	40	pF

(a). Timing is based on $CL \leq 40pF$ load on CMD and Data.

(b). Min (Vih) = $0.7 \cdot VDDIO$ and max (Vil) = $0.2 \cdot VDDIO$

13.2.3. SDIO BUS Timing Specifications in SDR Modes

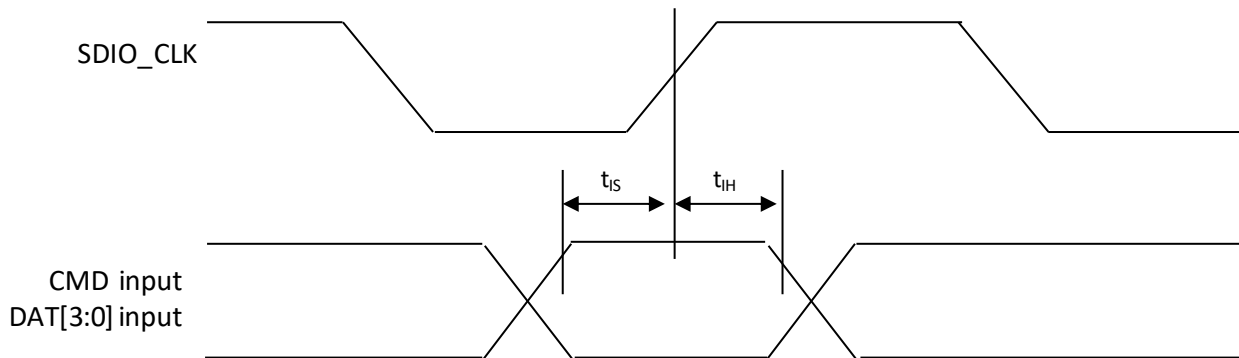
Clock Timing



SDIO Bus Clock Timing Parameters (SDR Modes)

Parameter	Symbol	Min	Max	Unit	Comments
-	t_{CLK}	40	-	ns	SDR12 mode
		20	-	ns	SDR25 mode
-	t_{CR}, t_{CF}	-	$0.2 \times t_{CLK}$	ns	$t_{CR}, t_{CF} < 2.00\text{ns}(\text{max})@100\text{MHz}, c\text{CARD}=10\text{pF}$
Clock duty cycle	-	30	70	%	-

Card Input Timing

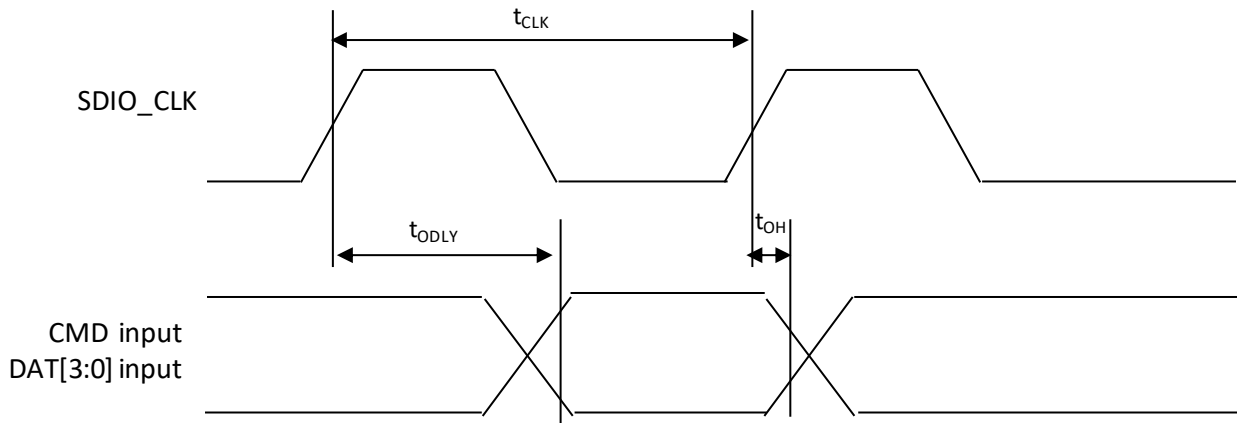


SDIO Bus Input Timing Parameters (SDR Modes)

Symbol	Min	Max	Unit	Comments
SDR50 Mode				
t_{IS}	3.0	-	ns	$c\text{CARD} = 10\text{pF}, V_{CT} = 0.975\text{V}$
t_{IH}	0.8	-	ns	$c\text{CARD} = 5\text{pF}, V_{CT} = 0.975\text{V}$

Card Output Timing

SDIO Bus Output Timing (SDR Modes up to 50MHz)



SDIO Bus Output Timing Parameters (SDR Modes up to 50MHz)

Symbol	Min	Max	Unit	Comments
t _{ODLY}	-	14.0	ns	t _{CLK} ≥ 20ns CL = 40pF using for SDR12,SDR25
t _{OH}	1.5	-	ns	Hold time at the t _{ODLY} (min) CL = 15pF

14. DC / RF Characteristics

14.1. DC/RF Characteristics for IEEE802.11b - 2.4GHz

Specification	IEEE802.11b
Mode	DSSS / CCK
Channel Frequency	2412 - 2472MHz
Data rate	1, 2, 5.5, 11Mbps

Conditions : 25deg.C, VBAT=3.3V, VDDIO= 1.8V,
Output power setting=17dBm, 11Mbps mode unless otherwise specified.

Items	Contents			
	min.	typ.	max.	unit
- DC Characteristics -				
1. DC current				
1) Tx mode (1024byte, 20usec interval *5)	-	200	-	mA
2) Rx mode	-	20	-	mA
- Tx Characteristics *5)-	min.	typ.	max.	unit
2. Output Power	15	17	19	dBm
3. Spectrum Mask margin				
1) 1st side lobes(-30dBr)	0	-	-	dB
2) 2nd side lobes(-50dBr)	0	-	-	dB
4. Power-on and Power-down ramp	-		2.0	µsec
5. RF Carrier Suppression	15	-	-	dB
6. Modulation Accuracy (EVM)	-	-	35	%
7. Frequency tolerance	-20		20	ppm
8. Out band Spurious Emissions				
1) 30-1000MHz	-	-	-36	dBm
2) 1000-12750MHz	-	-	-30	dBm
3) 1800-1900MHz			-47	dBm
4) 5150-5300MHz	-	-	-47	dBm
- Rx Characteristics -	min.	typ.	max.	unit
9. Minimum Input Level Sensitivity	-	-	-76	dBm
10. Adjacent Channel Rejection (FER ≤ 8%)	35	-	-	dB

*5): Defined when output power setting is 17dBm at Murata module antenna pad

14.2. DC/RF Characteristics for IEEE802.11g - 2.4GHz

Specification	IEEE802.11g
Mode	OFDM
Channel Frequency	2412 - 2472MHz
Data rate	6, 9, 12, 18, 24, 36, 48, 54Mbps

Conditions : 25deg.C, VBAT=3.3V, VDDIO= 1.8V,
Output power setting=14dBm, 54Mbps mode unless otherwise specified.

Items	Contents			
	min.	typ.	max.	unit
- DC Characteristics -				
1. DC current				
1) Tx mode (1024byte, 20usec interval) *6)	-	150	-	mA
2) Rx mode	-	20	-	mA
- Tx Characteristics*6) -				
	min.	typ.	max.	unit
2. Output Power	12	14	16	dBm
3. Spectrum Mask margin				
1) 9MHz to 11MHz (0~ -20dBr)	0	-	-	dB
2) 11MHz to 20MHz (-20~ -28dBr)	0	-	-	dB
3) 20MHz to 30MHz (-28~ -40dBr)	0	-	-	dB
4) 30MHz to 33MHz (-40dBr)	0	-	-	dB
4. Constellation Error (EVM)	-	-	-25	dB
5. Frequency tolerance	-20		20	ppm
6. Out band Spurious Emissions				
1) 30-1000MHz	-	-	-36	dBm
2) 1000-12750MHz	-	-	-30	dBm
3) 1800-1900MHz			-47	dBm
4) 5150-5300MHz	-	-	-47	dBm
- Rx Characteristics -				
	min.	typ.	max.	unit
7. Minimum Input Level Sensitivity	-	-	-65	dBm
8. Adjacent Channel Rejection (PER ≤ 10%)	-1	-	-	dB

*6): Defined when output power setting is 14dBm at Murata module antenna pad

14.3. DC/RF Characteristics for IEEE802.11n – 2.4GHz

Specification	IEEE802.11n
Mode	OFDM
Channel Frequency	2412 - 2472MHz
Data rate	6.5, 13, 19.5, 26, 39, 52, 58.5, 65Mbps

Conditions : 25deg.C, VBAT=3.3V, VDDIO= 1.8V,
Output power setting=13dBm, MCS7 unless otherwise specified.

- DC Characteristics -	min.	typ.	max.	unit
1. DC current				
1) Tx mode (1024byte, 20usec interval) *7)	-	140	-	mA
2) Rx mode	-	20	-	mA
- Tx Characteristics*7) -	min.	typ.	max.	unit
2. Output Power	11	13	15	dBm
3. Spectrum Mask				
1) 9MHz to 11MHz (0 ~ -20dBr)	0	-	-	dB
2) 11MHz to 20MHz (-20 ~ -28dBr)	0	-	-	dB
3) 20MHz to 30MHz (-28 ~ -45dBr)	0	-	-	dB
4) 30MHz to 33MHz (-45dBr)	0	-	-	dB
4. Constellation Error (EVM)	-	-	-27	dB
5. Frequency tolerance	-20		20	ppm
6. Out band Spurious Emissions				
1) 30-1000MHz	-	-	-36	dBm
2) 1000-12750MHz	-	-	-30	dBm
3) 1800-1900MHz			-47	dBm
4) 5150-5300MHz	-	-	-47	dBm
- Rx Characteristics -	min.	typ.	max.	unit
6. Minimum Input Level Sensitivity	-	-	-64	dBm
7. Adjacent Channel Rejection (PER ≤ 10%)	-2	-	-	dB

*7): Defined when output power setting is 13dBm at Murata module antenna pad

14.4. DC/RF Characteristics for IEEE802.11a - 5GHz

Specification	IEEE802.11a
Mode	OFDM
Channel Frequency	5180 - 5825MHz
Data rate	6, 9, 12, 18, 24, 36, 48, 54Mbps

Conditions : 25deg.C, VBAT=3.3V, VDDIO= 1.8V,
Output power setting=13dBm, 54Mbps unless otherwise specified.

- DC Characteristics -	min.	typ.	max.	unit
1. DC current				
1) Tx mode (1024byte, 20usec interval) *8)	-	230	-	mA
2) Rx mode	-	20	-	mA
- Tx Characteristics*8) -	min.	typ.	max.	unit
2. Output Power	11	13	15	dBm
3. Spectrum Mask				
1) 9MHz to 11MHz (0~ -20dBr)	0	-	-	dB
2) 11MHz to 20MHz (-20~ -28dBr)	0	-	-	dB
3) 20MHz to 30MHz (-28~ -40dBr)	0	-	-	dB
4) 30MHz to 33MHz (-40dBr)	0	-	-	dB
4. Constellation Error (EVM)	-	-	-25	dB
5. Frequency tolerance	-20		20	ppm
- Rx Characteristics -	min.	typ.	max.	unit
6. Minimum Input Level Sensitivity	-	-	-65	dBm
7. Adjacent Channel Rejection (PER ≤ 10%)	-1	-	-	dB

*8): Defined when output power setting is 13dBm at Murata module antenna pad

14.5. DC/RF Characteristics for IEEE802.11n(HT20) - 5GHz

Specification	IEEE802.11n
Mode	OFDM
Channel Frequency	5180 - 5825MHz
Data rate	6.5, 13, 19.5, 26, 39, 52, 58.5, 65Mbps

Conditions : 25deg.C, VBAT=3.3V, VDDIO= 1.8V,
Output power setting=12dBm, MCS7 unless otherwise specified.

- DC Characteristics -	min.	typ.	max.	unit
1. DC current				
1) Tx mode (1024byte, 20usec interval) *9)	-	210	-	mA
2) Rx mode	-	20	-	mA
- Tx Characteristics*9) -	min.	typ.	max.	unit
2. Output Power	10	12	14	dBm
3. Spectrum Mask margin				
1) 9MHz to 11MHz (0~ -20dBr)	0	-	-	dB
2) 11MHz to 20MHz (-20~ -28dBr)	0	-	-	dB
3) 20MHz to 30MHz (-28~ -45dBr)	0	-	-	dB
4) 30MHz to 33MHz (-45dBr)	0	-	-	dB
4. Constellation Error (EVM)	-	-	-27	dB
5. Frequency tolerance	-20		20	ppm
- Rx Characteristics -	min.	typ.	max.	unit
6. Minimum Input Level Sensitivity	-	-	-64	dBm
7. Adjacent Channel Rejection (PER ≤ 10%)	-2	-	-	dB

*9): Defined when output power setting is 12dBm at Murata module antenna pad

14.6. DC/RF Characteristics for IEEE802.11ac(VHT20) - 5GHz

Specification	IEEE802.11ac
Mode	OFDM
Channel Frequency	5180 - 5825MHz
Data rate	6.5, 13, 19.5, 26, 39, 52, 58.5, 65, 78Mbps

Conditions : 25deg.C, VBAT=3.3V, VDDIO= 1.8V,
Output power setting=10dBm, MCS8 unless otherwise specified.

- DC Characteristics -	min.	typ.	max.	unit
1. DC current				
1) Tx mode (1024byte, 20usec interval) *10)	-	190	-	mA
2) Rx mode	-	20	-	mA
- Tx Characteristics*10) -	min.	typ.	max.	unit
2. Output Power	8	10	12	dBm
3. Spectrum Mask margin				
1) 9MHz to 11MHz (0~ -20dBr)	0	-	-	dB
2) 11MHz to 20MHz (-20~ -28dBr)	0	-	-	dB
3) 20MHz to 30MHz (-28~ -45dBr)	0	-	-	dB
4) 30MHz to 33MHz (-45dBr)	0	-	-	dB
4. Constellation Error (EVM)	-	-	-32	dB
5. Frequency tolerance	-20		20	ppm
- Rx Characteristics -	min.	typ.	max.	unit
6. Minimum Input Level Sensitivity	-	-	-59	dBm
7. Adjacent Channel Rejection (PER ≤ 10%)	-7	-	-	dB

*10): Defined when output power setting is 10dBm at Murata module antenna pad

14.7. DC/RF Characteristics for Bluetooth

Conditions : 25deg.C, VBAT=3.3V, VDDIO= 1.8V

Items	Contents			
Bluetooth specification (power class)	Version 5.0 + EDR (Class1)			
Channel frequency (spacing)	2402 to 2480 MHz (1MHz)			
Current Consumption	Min.	Typ.	Max.	unit
(a) Tx=Rx=DH5 (fully occupied)	-	25	-	mA
(b) Tx=Rx=2DH5 (fully occupied)	-	22	-	mA
(c) Tx=Rx=3DH5 (fully occupied)	-	22	-	mA
Transmitter	Min.	Typ.	Max.	Unit
Output Power@DH5	6	-	13	dBm
Frequency range	2400	-	2483.5	MHz
20dB bandwidth	-	-	1	MHz
Adjacent Channel Power ^{*11)}				
(a) [M-N] =2	-	-	-20	dBm
(b) [M-N] ≥3	-	-	-40	dBm
Modulation characteristics				
(a) Modulation Δf1avg	140	-	175	kHz
(b) Modulation Δf2max	115	-	-	kHz
(c) Modulation Δf2avg / Δf1avg	0.8	-	-	
Carrier Frequency Drift				
(a) 1slot	-25	-	25	kHz
(b) 3slot / 5slot	-40	-	40	kHz
(c) Maximum drift rate	-	-	20	kHz/50us
EDR Relative Power	-4	-	1	dB
EDR Carrier Frequency Stability and Modulation Accuracy				
(a) ωi	-75	-	75	kHz
(b) ωi+ωo	-75	-	75	kHz
(c) ωo	-10	-	10	kHz
(d) RMS DEVM (DQPSK)	-	-	20	%
(e) Peak DEVM (DQPSK)	-	-	35	%
(f) 99% DEVM (DQPSK)	-	-	30	%
(g) RMS DEVM (8DPSK)	-	-	13	%
(h) Peak DEVM (8DPSK)	-	-	25	%
(i) 99% DEVM (8DPSK)	-	-	20	%
Spurious Emissions				
(a) 10MHz ≤ f < 2387MHz	-	-	-36	dBm
(b) 2387MHz ≤ f < 2400MHz	-	-	-30	dBm
(c) 2483.5MHz < f ≤ 2496.5MHz	-	-	-47	dBm
(d) 2496.5MHz < f ≤ 8GHz	-	-	-47	dBm
Receiver	Min.	Typ.	Max.	unit
BDR Sensitivity (BER<0.1%)	-	-	-80	dBm
EDR Sensitivity (BER<0.007%)@8DPSK	-	-	-77	dBm
C/I Performance (BER<0.1%) ^{*12)}				
(a) co-channel	-	-	11	dB
(b) 1MHz	-	-	0	dB
(c) 2MHz	-	-	-30	dB
(d) 3MHz	-	-	-40	dB
(e) image (+4MHz)	-	-	-9	dB
(f) image +/- 1MHz	-	-	-20	dB
Maximum Input Level (BER<0.1%)	-20	-	-	dBm

*11): Up to three spurious responses within Bluetooth limits are allowed.

*12): Up to five spurious responses within Bluetooth limits are allowed.

INNOVATOR IN ELECTRONICS

14.8. DC/RF Characteristics for Bluetooth (LE)

Conditions : 25deg.C, VBAT=3.3V, VDDIO= 1.8V

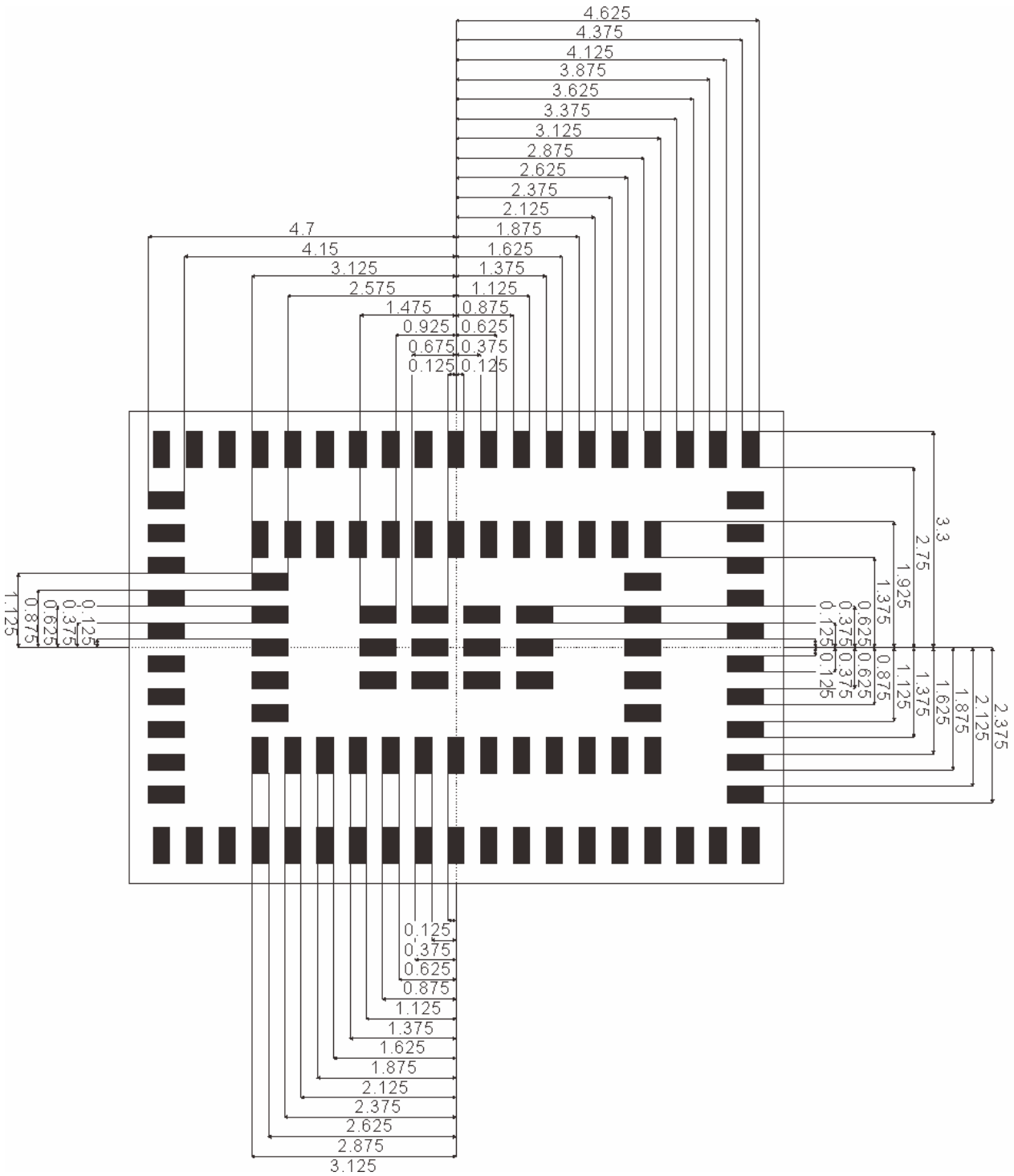
Items	Contents			
Bluetooth specification (power class)	Version 5.0(LE)			
Channel frequency (spacing)	2402 to 2480 MHz (2MHz)			
Number of RF Channel	40			
Item / Condition	Min.	Typ.	Max.	Unit
Center Frequency	2402	-	2480	MHz
Channel Spacing	-	2	-	MHz
Number of RF channel	-	40	-	-
Output power	2	-	9	dBm
Modulation Characteristics				
1) $\Delta f_{1_{avg}}$	225	-	275	kHz
2) $\Delta f_{2_{max}}$ (at 99.9%)	185	-	-	kHz
3) $\Delta f_{2_{avg}} / \Delta f_{1_{avg}}$	0.8	-	-	-
Carrier frequency offset and drift				
1) Frequency offset	-	-	150	kHz
2) Frequency drift	-	-	50	kHz
3) Drift rate	-	-	20	kHz
Receiver sensitivity (PER < 30.8%)	-	-	-70	dBm
Maximum input signal level (PER < 30.8%)	-10	-	-	dBm
PER Report Integrity (-30dBm input)	50	-	65.4	%

Preliminary

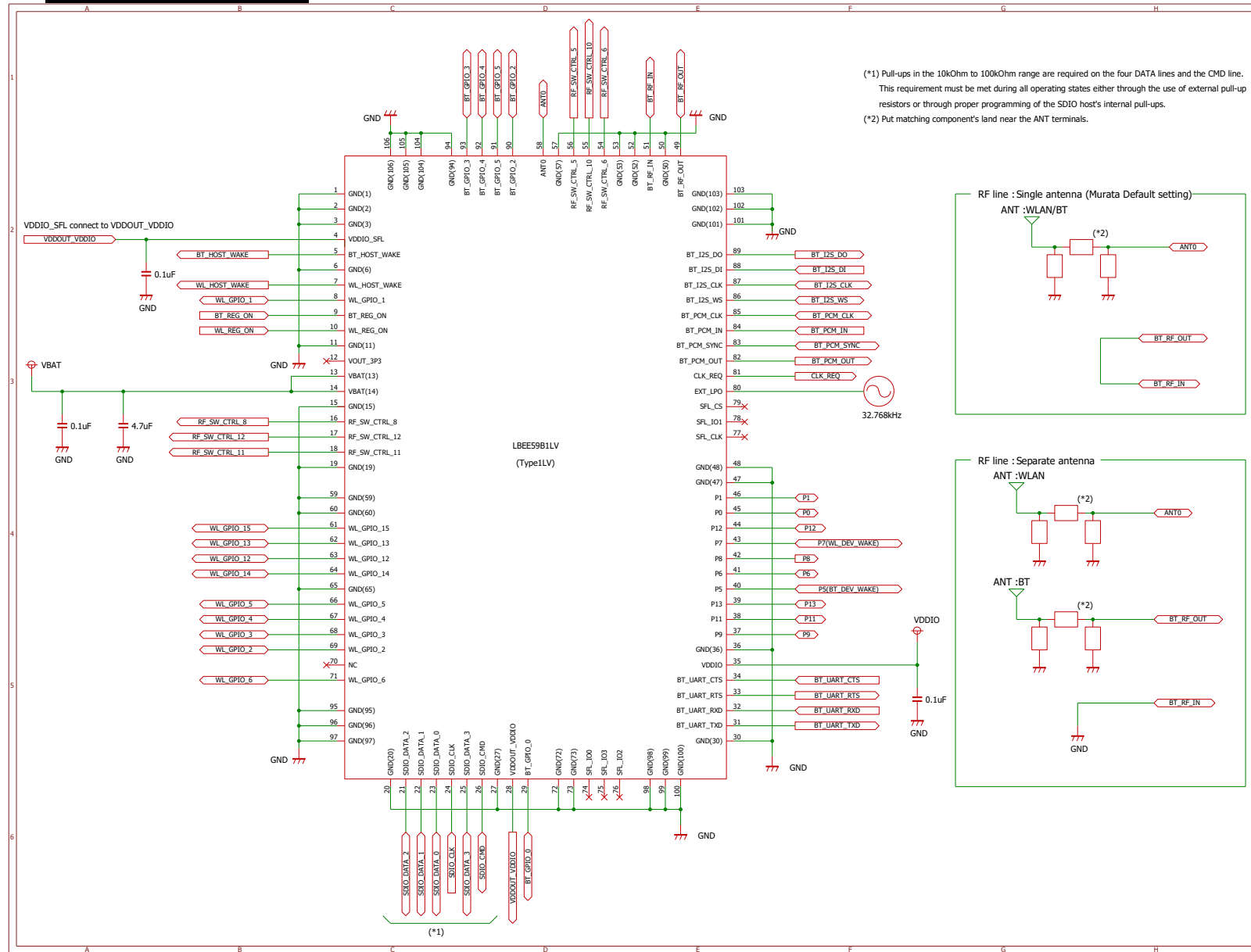
< Specification may be changed by Murata without notice >

Murata Manufacturing Co., Ltd.

15. LAND PATTERN (TOP VIEW)

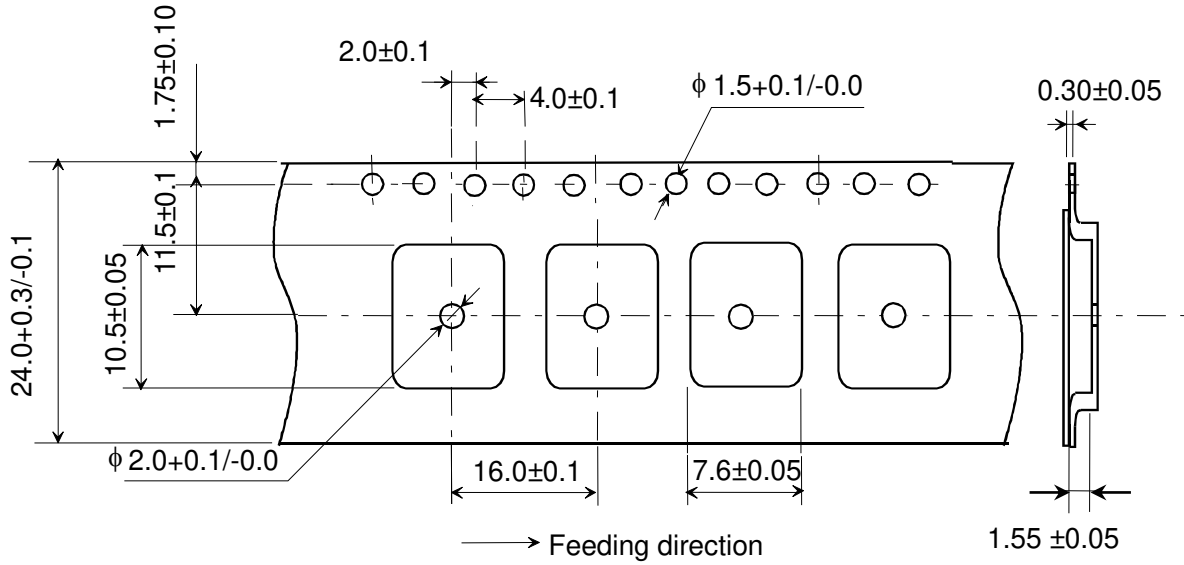


* To avoid the short-circuit between the side shielding and a solder on the module land after the reflow, please locate the module land away from module outline as above figure.

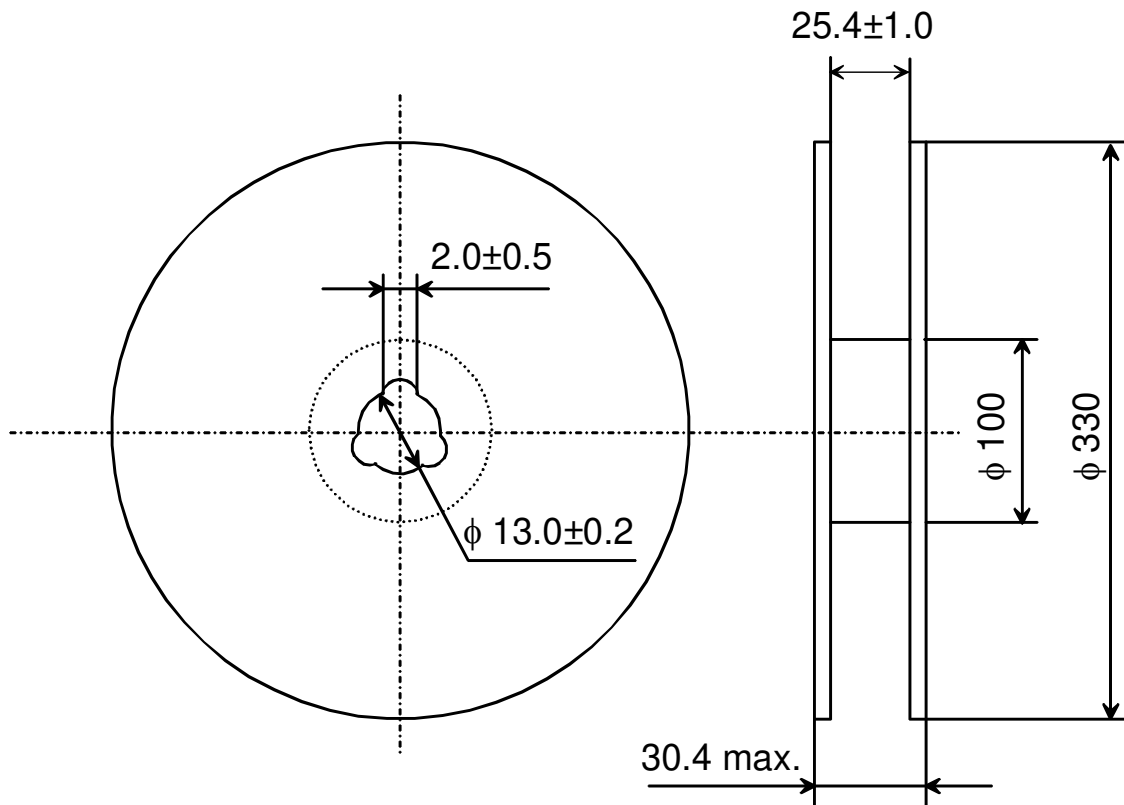


17. TAPE AND REEL PACKING

(1) Dimensions of Tape (Plastic tape)

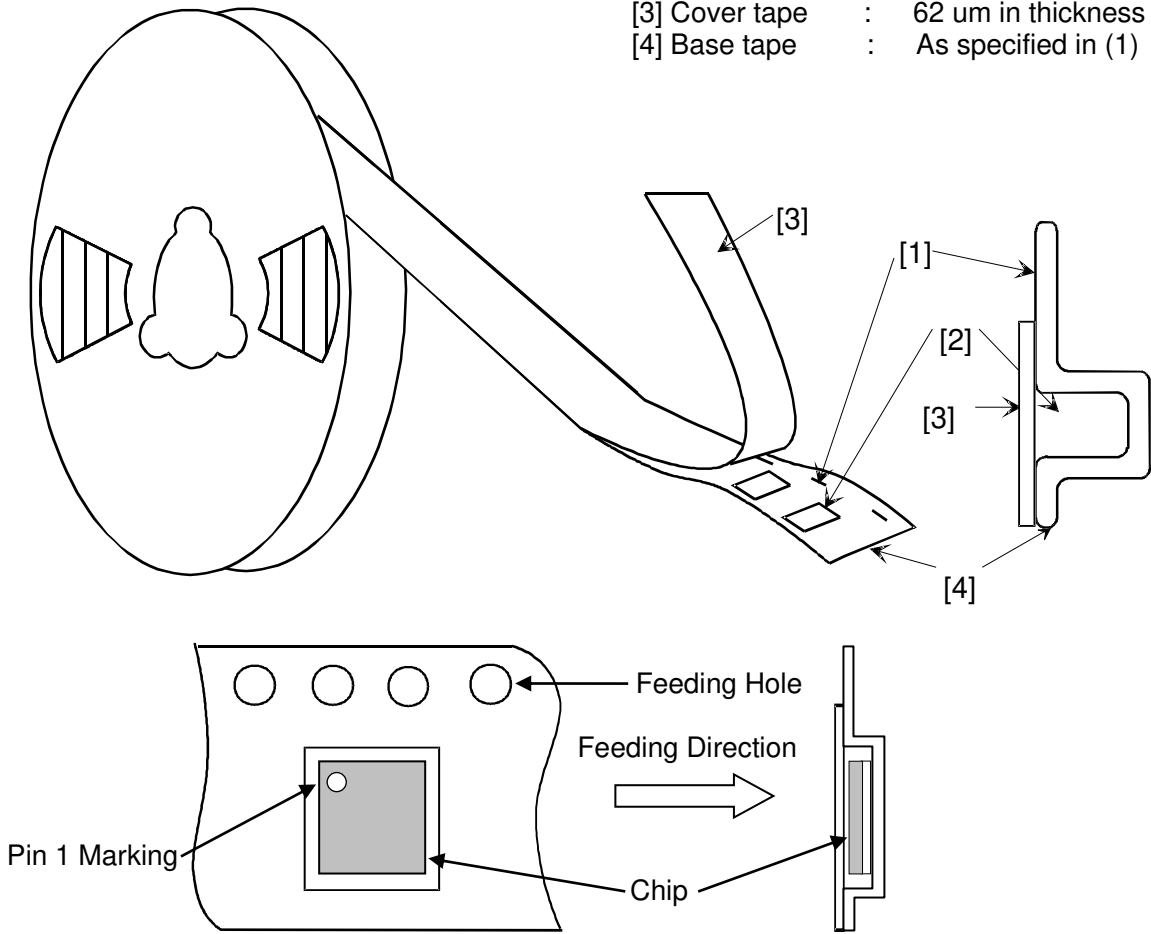


(2) Dimensions of Reel

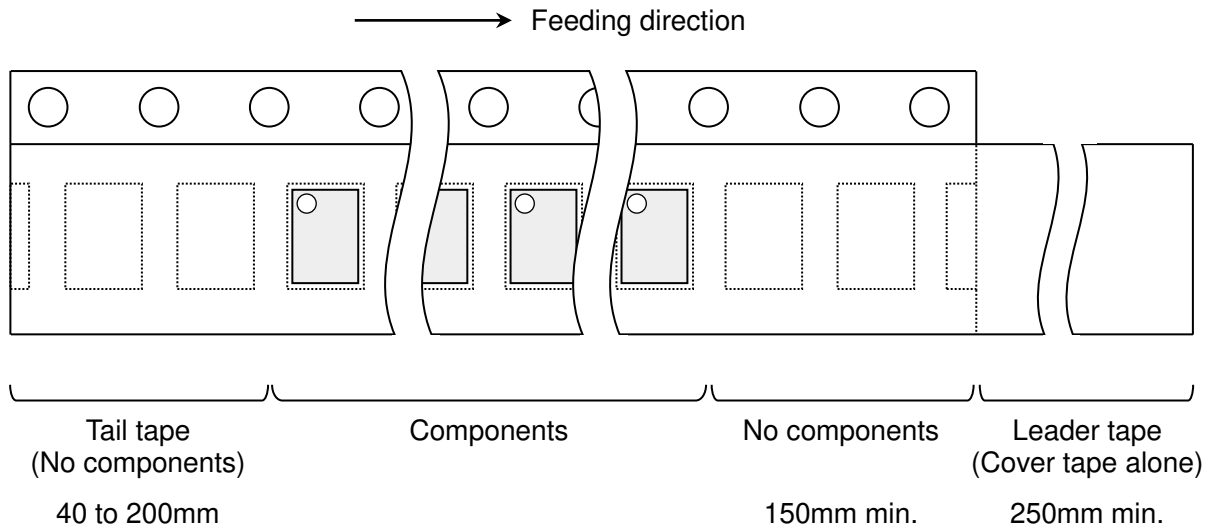


(3) Taping Diagrams

- [1] Feeding Hole : As specified in (1)
- [2] Hole for chip : As specified in (1)
- [3] Cover tape : 62 um in thickness
- [4] Base tape : As specified in (1)

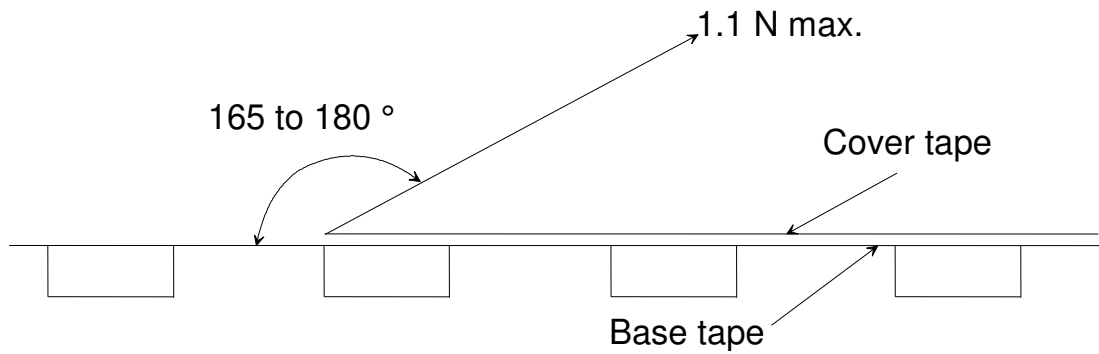


(4) Leader and Tail tape

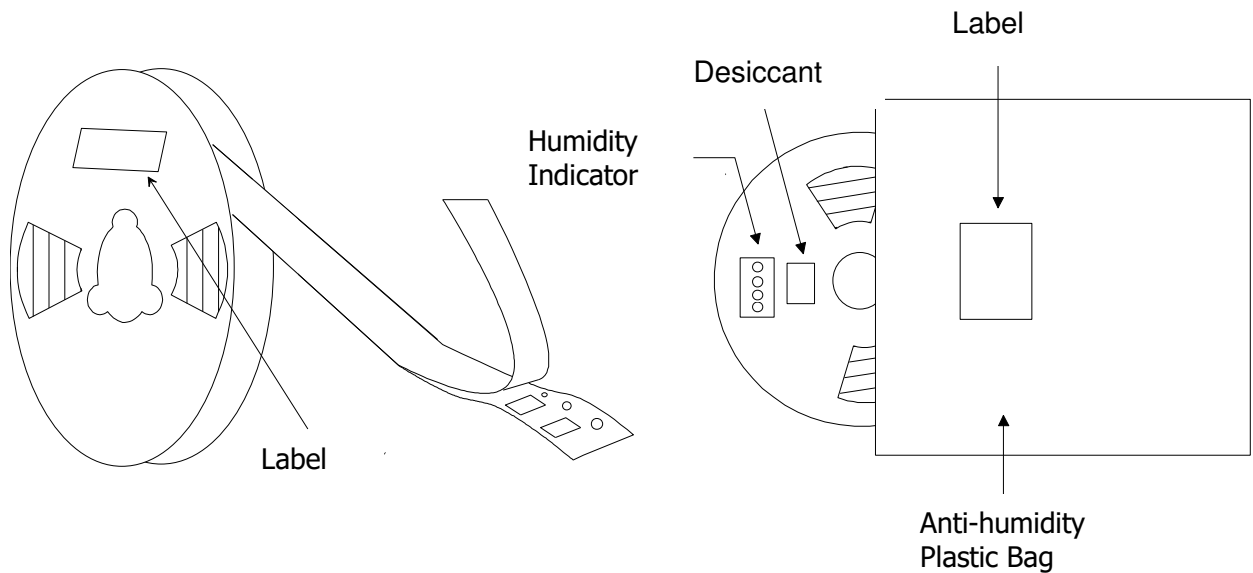


INNOVATOR IN ELECTRONICS

- (5) The tape for chips are wound clockwise, the feeding holes to the right side as the tape is pulled toward the user.
- (6) The cover tape and base tape are not adhered at no components area for 250mm min.
- (7) Tear off strength against pulling of cover tape: 5N min.
- (8) Packaging unit : 1000pcs./ reel
- (9) material - Base tape : Plastic
Real : Plastic
Cover tape, cavity tape and reel are made the anti-static processing.
- (10) Peeling of force: 1.1N max. in the direction of peeling as shown below.



- (11) PACKAGE (Humidity proof packing)



Tape and reel must be sealed with the anti-humidity plastic bag. The bag contains the desiccant and the humidity indicator.

18. NOTICE**18.1. Storage Conditions:**

Please use this product within 6month after receipt.

- The product shall be stored without opening the packing under the ambient temperature from 5 to 35deg.C and humidity from 20 to 70%RH.

(Packing materials, in particular, may be deformed at the temperature over 40deg.C.)

- The product left more than 6months after reception, it needs to be confirmed the solderbility before used.

- The product shall be stored in non corrosive gas (Cl₂, NH₃, SO₂, No_x, etc.).

- Any excess mechanical shock including, but not limited to, sticking the packing materials by sharp object and dropping the product, shall not be applied in order not to damage the packing materials.

This product is applicable to MSL3 (Based on JEDEC Standard J-STD-020)

- After the packing opened, the product shall be stored at $\leq 30\text{deg.C}$ / $\leq 60\%RH$ and the product shall be used within 168hours.

- When the color of the indicator in the packing changed, the product shall be baked before soldering.

Baking condition: 125+5/-0deg.C, 24hours, 1time

The products shall be baked on the heat-resistant tray because the material (Base Tape, Reel Tape and Cover Tape) are not heat-resistant.

18.2. Handling Conditions:

Be careful in handling or transporting products because excessive stress or mechanical shock may break products.

Handle with care if products may have cracks or damages on their terminals, the characteristics of products may change. Do not touch products with bear hands that may result in poor solder ability and destroy by static electrical charge.

18.3. Standard PCB Design (Land Pattern and Dimensions):

All the ground terminals should be connected to the ground patterns. Furthermore, the ground pattern should be provided between IN and OUT terminals. Please refer to the specifications for the standard land dimensions.

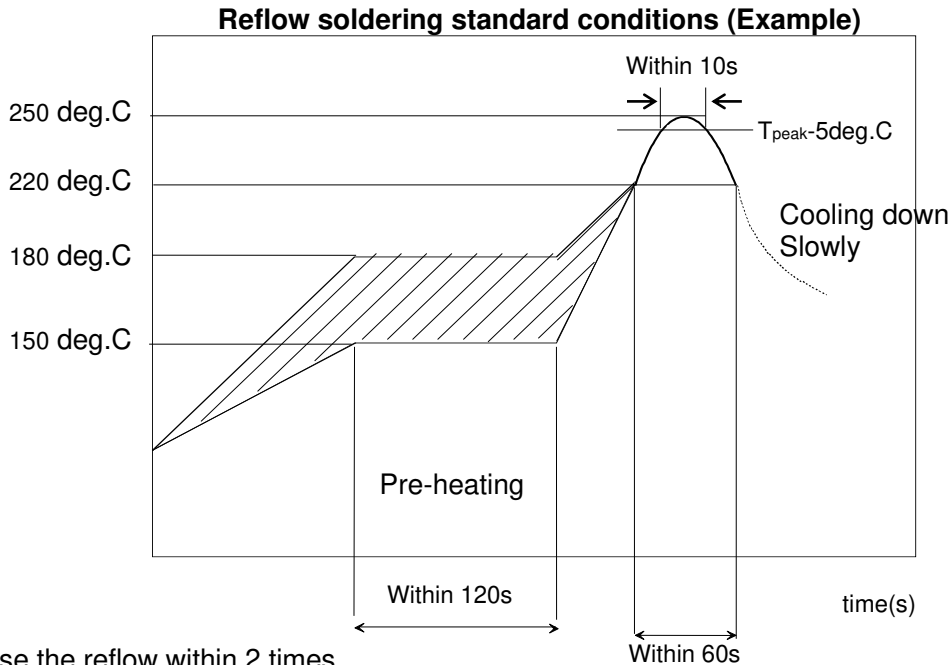
The recommended land pattern and dimensions is as Murata's standard. The characteristics of products may vary depending on the pattern drawing method, grounding method, land dimensions, land forming method of the NC terminals and the PCB material and thickness. Therefore, be sure to verify the characteristics in the actual set. When using non-standard lands, contact Murata beforehand.

18.4. Notice for Chip Placer:

When placing products on the PCB, products may be stressed and broken by uneven forces from a worn-out chucking locating claw or a suction nozzle. To prevent products from damages, be sure to follow the specifications for the maintenance of the chip placer being used. For the positioning of products on the PCB, be aware that mechanical chucking may damage products.

18.5. Soldering Conditions:

The recommendation conditions of soldering are as in the following figure. Soldering must be carried out by the above mentioned conditions to prevent products from damage. Set up the highest temperature of reflow within 260 °C. Contact Murata before use if concerning other soldering conditions.



Please use the reflow within 2 times.
Use rosin type flux or weakly active flux with a chlorine content of 0.2 wt % or less.

18.6. Cleaning:

Since this Product is Moisture Sensitive, any cleaning is not recommended. If any cleaning process is done the customer is responsible for any issues or failures caused by the cleaning process.

18.7. Operational Environment Conditions:

Products are designed to work for electronic products under normal environmental conditions (ambient temperature, humidity and pressure). Therefore, products have no problems to be used under the similar conditions to the above-mentioned. However, if products are used under the following circumstances, it may damage products and leakage of electricity and abnormal temperature may occur.

- In an atmosphere containing corrosive gas (Cl₂, NH₃, SO_x, NO_x etc.).
- In an atmosphere containing combustible and volatile gases.
- Dusty place.
- Direct sunlight place.
- Water splashing place.
- Humid place where water condenses.
- Freezing place.

If there are possibilities for products to be used under the preceding clause, consult with Murata before actual use.

As it might be a cause of degradation or destruction to apply static electricity to products, do not apply static electricity or excessive voltage while assembling and measuring.

18.8. Input Power Capacity:

Products shall be used in the input power capacity as specified in this specifications.

Inform Murata beforehand, in case that the components are used beyond such input power capacity range.

INNOVATOR IN ELECTRONICS

19. PRECONDITION TO USE OUR PRODUCTS

PLEASE READ THIS NOTICE BEFORE USING OUR PRODUCTS.

Please make sure that your product has been evaluated and confirmed from the aspect of the fitness for the specifications of our product when our product is mounted to your product.

All the items and parameters in this product specification/datasheet/catalog have been prescribed on the premise that our product is used for the purpose, under the condition and in the environment specified in this specification. You are requested not to use our product deviating from the condition and the environment specified in this specification.

Please note that the only warranty that we provide regarding the products is its conformance to the specifications provided herein. Accordingly, we shall not be responsible for any defects in products or equipment incorporating such products, which are caused under the conditions other than those specified in this specification.

WE HEREBY DISCLAIMS ALL OTHER WARRANTIES REGARDING THE PRODUCTS, EXPRESS OR IMPLIED, INCLUDING WITHOUT LIMITATION ANY WARRANTY OF FITNESS FOR A PARTICULAR PURPOSE, THAT THEY ARE DEFECT-FREE, OR AGAINST INFRINGEMENT OF INTELLECTUAL PROPERTY RIGHTS.

You agree that you will use any and all software or program code (including but not limited to hcd, firmware, nvram, and blob) we may provide or to be embedded into our product ("Software") provided that you use the Software bundled with our product. YOU AGREE THAT THE SOFTWARE SHALL BE PROVIDED TO YOU "AS- IS" BASIS, MURATA MAKES NO REPRESENTATIONS OR WARRANTIES THAT THE SOFTWARE IS ERROR-FREE OR WILL OPERATE WITHOUT INTERRUPTION. AND MORE, MURATA MAKES NO REPRESENTATIONS OR WARRANTIES OF ANY KIND WHETHER EXPRESS OR IMPLIED WITH RESPECT TO THE SOFTWARE. MURATA EXPRESSLY DISCLAIM ANY AND ALL WARRANTIES OR CONDITIONS OF MERCHANTABILITY, FITNESS FOR A PARTICULAR PURPOSE NOR THE WARRANTY OF TITLE OR NON-INFRINGEMENT OF INTELLECTUAL PROPERTY RIGHTS.

You shall indemnify and hold harmless us, our affiliates and our licensor from and against any and all claims, costs, expenses and liabilities (including attorney's fees), which arise in connection with the using the Software.

The product shall not be used in any application listed below which requires especially high reliability for the prevention of such defect as may directly cause damage to the third party's life, body or property. You acknowledge and agree that, if you use our products in such applications, we will not be responsible for any failure to meet such requirements. Furthermore, YOU AGREE TO INDEMNIFY AND DEFEND US AND OUR AFFILIATES AGAINST ALL CLAIMS, DAMAGES, COSTS, AND EXPENSES THAT MAY BE INCURRED, INCLUDING WITHOUT LIMITATION, ATTORNEY FEES AND COSTS, DUE TO THE USE OF OUR PRODUCTS AND THE SOFTWARE IN SUCH APPLICATIONS.

- Aircraft equipment.
- Aerospace equipment
- Undersea equipment.
- Power plant control equipment
- Medical equipment.
- Transportation equipment (vehicles, trains, ships, elevator, etc.).
- Traffic signal equipment.
- Disaster prevention / crime prevention equipment.
- Burning / explosion control equipment
- Application of similar complexity and/ or reliability requirements to the applications listed in the above.

We expressly prohibit you from analyzing, breaking, reverse-engineering, remodeling altering, and reproducing our product. Our product cannot be used for the product which is prohibited from being manufactured, used, and sold by the regulations and laws in the world.

We do not warrant or represent that any license, either express or implied, is granted under any our patent right, copyright, mask work right, or our other intellectual property right relating to any combination, machine, or process in which our products or services are used. Information provided by us regarding third-party products or services does not constitute a license from us to use such products or services or a warranty or endorsement thereof. Use of such information may require a license from a third party under the patents or other intellectual property of the third party, or a license from us under our patents or other intellectual property.

Please do not use our products, our technical information and other data provided by us for the purpose of developing of mass-destruction weapons and the purpose of military use.

Moreover, you must comply with "foreign exchange and foreign trade law", the "U.S. export administration regulations", etc.

Please note that we may discontinue the manufacture of our products, due to reasons such as end of supply of materials and/or components from our suppliers.

By signing on specification sheet or approval sheet, you acknowledge that you are the legal representative for your company and that you understand and accept the validity of the contents herein. When you are not able to return the signed version of specification sheet or approval sheet within 30 days from receiving date of specification sheet or approval sheet, it shall be deemed to be your consent on the content of specification sheet or approval sheet. Customer acknowledges that engineering samples may deviate from specifications and may contain defects due to their development status. We reject any liability or product warranty for engineering samples. In particular we disclaim liability for damages caused by

- the use of the engineering sample other than for evaluation purposes, particularly the installation or integration in the product to be sold by you,
- deviation or lapse in function of engineering sample,
- improper use of engineering samples.

We disclaim any liability for consequential and incidental damages.

If you can't agree the above contents, you should inquire our sales.

Preliminary

< Specification may be changed by Murata without notice >

Murata Manufacturing Co., Ltd.

APPENDIX

Certification

For FCC

Model Name: Type1LV

FCC ID: VPYLBEE59B1LV

This device complies with part 15 of the FCC Rules. Operation is subject to the following two conditions: (1) This device may not cause harmful interference, and (2) this device must accept any interference received, including interference that may cause undesired operation.

Since this module is not sold to general end users directly, there is no user manual of module. For the details about this module, please refer to the specification sheet of module. This module should be installed in the host device according to the interface specification (installation procedure).

- The following information must be indicated on the host device of this module.

Contains Transmitter Module FCC ID:VPYLBEE59B1LV

Or

Contains FCC ID: VPYLBEE59B1LV

This device complies with part 15 of the FCC Rules. Operation is subject to the following two conditions: (1) This device may not cause harmful interference, and (2) this device must accept any interference received, including interference that may cause undesired operation.

*If it can not be described on the host product, it must be listed on both the host product manual and on the host product package or removable label.

- The following statements must be described on the user manual of the host device of this module;

FCC CAUTION

Changes or modifications not expressly approved by the party responsible for compliance could void the user's authority to operate the equipment.

Compliance with FCC requirement 15.407(c)

Data transmission is always initiated by software, which is passed down through the MAC, through the digital and analog baseband, and finally to the RF chip. Several special packets are initiated by the MAC. These are the only ways the digital baseband portion will turn on the RF transmitter, which it then turns off at the end of the packet. Therefore, the transmitter will be on only while one of the aforementioned packets is being transmitted. In other words, this device automatically discontinues transmission in case of either absence of information to transmit or operational failure.

Frequency Tolerance: ± 20 ppm

This transmitter must not be co-located or operated in conjunction with any other antenna or transmitter.

- When installing it in a mobile equipment. Please describe the following warning to the manual. If mobile equipment use only BT/BLE or low power Wi-Fi.

This equipment complies with FCC radiation exposure limits set forth for an uncontrolled environment and meets the FCC radio frequency (RF) Exposure Guidelines. This equipment should be installed and operated keeping the radiator at least 20cm or more away from person's body.

In the case of conditions other than the above

This equipment complies with FCC/IC radiation exposure limits set forth for an uncontrolled environment and meets the FCC radio frequency (RF) Exposure Guidelines and RSS-102 of the IC radio frequency (RF) Exposure rules. This equipment should be installed and operated keeping the radiator at least 20cm or more away from person's body.

- When installing it in a portable equipment. Please describe the following warning to the manual.

Preliminary

< Specification may be changed by Murata without notice >
Murata Manufacturing Co., Ltd.

INNOVATOR IN ELECTRONICS

The available scientific evidence does not show that any health problems are associated with using low power wireless devices. There is no proof, however, that these low power wireless devices are absolutely safe. Low power Wireless devices emit low levels of radio frequency energy (RF) in the microwave range while being used. Whereas high levels of RF can produce health effects (by heating tissue), exposure of low-level RF that does not produce heating effects causes no known adverse health effects. Many studies of low-level RF exposures have not found any biological effects. Some studies have suggested that some biological effects might occur, but such findings have not been confirmed by additional research. LBEE59B1LV has been tested and found to comply with FCC radiation exposure limits set forth for an uncontrolled environment and meets the FCC radio frequency (RF) Exposure Guidelines.

It is necessary to take a SAR test with your set mounting this module .

Class II permissive change application is necessary using the SAR report. Please contact Murata.

Note)

Portable equipment : Equipment for which the spaces between human body and antenna are used within 20cm.

Mobile equipment : Equipment used at position in which the spaces between human body and antenna exceeded 20cm.

●Antenna

Please refer to the 'Certified Antenna information' document supplied by Murata or please contact Murata for the detail designation of how to design the Antenna trace.

●Installation procedure

Supply Voltage

		Min.	Typ.	Max.	unit
Supply Voltage	V _{BAT}	3.1	3.3	3.5	V
	V _{IO}		1.8 or 3.3		V

*V_{IO} don't influence the RF characteristic.

RF Power

2.4GHz WLAN

mode	Rate	Channel	MAXIMUM TUNE UP TOLERANCE[dBm]
IEEE 802.11b	All Rate	1 - 11	19
IEEE 802.11g	6/9 Mbps	1 - 11	19
	12/18/24 Mbps	1 - 11	18
	36/48 Mbps	1 - 11	17
	54 Mbps	1 - 11	16
IEEE 802.11n(HT20)	MCS0 - 2	1 - 11	19
	MCS3	1 - 11	18
	MCS4 - 5	1 - 11	17
	MCS6	1 - 11	16
	MCS7	1 - 11	15

2.4GHz BT / LE

mode	MAXIMUM TUNE UP TOLERANCE[dBm]
BR	13
EDR	9
LE	9
LE(2M)	9

Preliminary

< Specification may be changed by Murata without notice >

Murata Manufacturing Co., Ltd.

5GHz WLAN

Mode	Rate	Channel	MAXIMUM TUNE UP TOLERANCE[dBm]
IEEE 802.11a	6/9/12/18 Mbps	(W52/W53) 36 – 64	18
		(W56) 100 – 144	18
		(W58) 149 - 165	18
	24/36 Mbps	(W52/W53) 36 – 64	17
		(W56) 100 – 144	17
		(W58) 149 - 165	17
	48 Mbps	(W52/W53) 36 – 64	16
		(W56) 100 – 144	16
		(W58) 149 – 165	16
	54 Mbps	(W52/W53) 36 – 64	15
		(W56) 100 – 144	15
		(W58) 149 - 165	15

Mode	Rate	Channel	MAXMUM TUNE UP TOLERANCE[dBm]
IEEE 802.11n(HT20)	MCS0 – 2	(W52/W53) 36 – 64	18
		(W56) 100 - 144	18
		(W58) 149 – 165	18
	MCS3 – 4	(W52/W53) 36 – 64	17
		(W56) 100 - 144	17
		(W58) 149 – 165	17
	MCS5	(W52/W53) 36 – 64	16
		(W56) 100 - 144	16
		(W58) 149 – 165	16
	MCS6	(W52/W53) 36 – 64	15
		(W56) 100 - 144	15
		(W58) 149 – 165	15
	MCS7	(W52/W53) 36 – 64	14
		(W56) 100 - 144	14
		(W58) 149 – 165	14

mode	Rate	Channel	MAXIMUM TUNE UP TOLERANCE[dBm]
IEEE 802.11ac(VHT20)	MCS0 -2	(W52/W53) 36 – 64	18
		(W56) 100 - 144	18
		(W58) 149 - 165	18
	MCS3 – 4	(W52/W53) 36 – 64	17
		(W56) 100 - 144	17
		(W58) 149 - 165	17
	MCS5	(W52/W53) 36 – 64	16
		(W56) 100 - 144	16
		(W58) 149 - 165	16
	MCS6	(W52/W53) 36 – 64	15
		(W56) 100 - 144	15
		(W58) 149 - 165	15
	MCS7	(W52/W53) 36 – 64	14
		(W56) 100 - 144	14
		(W58) 149 - 165	14
	MCS8	(W52/W53) 36 – 64	12
		(W56) 100 - 144	12
		(W58) 149 - 165	12

Frequency of operation

Frequency of operation			Scan	Ad-hoc mode
2.4GHz	11/b/g/n(HT20)	2412 - 2462MHz	Active/Passive	Yes
W52	11a/n/ac((V)HT20)	5180 - 5240MHz	Active/Passive	Yes
W53	11a/n/ac((V)HT20)	5260 - 5320MHz	Passive	No
W56	11a/n/ac((V)HT20)	5500 - 5720MHz	Passive	No
W58	11a/n/ac((V)HT20)	5745 - 5825MHz	Active/Passive	Yes

* End users can not modify the software because F/W & driver are installed in device.

Compliance with FCC requirement 15.407(c)

Data transmission is always initiated by software, which is the passed down through the MAC, through the digital and analog baseband, and finally to the RF chip. Several special packets are initiated by the MAC. These are the only ways the digital baseband portion will turn on the RF transmitter, which it then turns off at the end of the packet. Therefore, the transmitter will be on only while one of the aforementioned packets is being transmitted. In other words, this device automatically discontinues transmission in case of either absence of information to transmit or operational failure.

Frequency Tolerance: ± 20 ppm

For ISED
PMN: Type1LV
HVIN: Type1LV
IC Number:772C-LBEE59B1LV

Since this module is not sold to general end users directly, there is no user manual of module.
For the details about this module, please refer to the specification sheet of module.
This module should be installed in the host device according to the interface specification (installation procedure).

- The following information must be indicated on the host device of this module.

Contains IC: 772C-LBEE59B1LV

- The following statements must be described on the user manual of the host device of this module;

This device complies with Industry Canada's applicable licence-exempt RSSs. Operation is subject to the following two conditions:

- | |
|---|
| (1) This device may not cause interference; and
(2) This device must accept any interference, including interference that may cause undesired operation of the device. |
|---|

Le présent appareil est conforme aux CNR d'Industrie Canada applicables aux appareils radio exempts de licence. L'exploitation est autorisée aux deux conditions suivantes:

- | |
|--|
| 1) l'appareil ne doit pas produire de brouillage;
2) l'utilisateur de l'appareil doit accepter tout brouillage radioélectrique subi, même si le brouillage est susceptible d'en compromettre le fonctionnement. |
|--|

*If it is difficult to describe this statement on the host product due to the size, please describe in the User's manual.

- In case of the final product which can be carried around to outdoor.

The following indication is necessary to the final product.

When the AP function is used in W52;

At the time of a channel setting of W52, please indicate "for indoor use only". During connecting, please show the channel number which connects.

And please indicate that the end user may find out "for indoor use only channel".

When the STA function is used in channel 52, at the time of the channel 52 setting, please indicate "for indoor use only channel".

During connecting, please show the channel number which connects.

And please indicate that the end user may find out "for indoor use only channel".

- If the antenna of the end product is removed, please describe the follow warning on the manual of the end product which contains this module.

This radio transmitter (IC Number: 772C-LBEE59B1LV) identify the device by certification number or model number if Category II) has been approved by Industry Canada to operate with the antenna types listed below with the maximum permissible gain indicated. Antenna types not included in this list, having a gain greater than the maximum gain indicated for that type, are strictly prohibited for use with this device.
--

: 2.4GHz Monopole Gain: +0.9 dBi

: 5GHz Monopole Gain: +2.0 dBi

Le présent émetteur radio (IC Number: 772C-LBEE59B1LV) a été approuvé par Industrie Canada pour fonctionner avec les types d'antenne énumérés ci-dessous et ayant un gain admissible maximal. Les types d'antenne non inclus dans cette liste, et dont le gain est supérieur au gain maximal indiqué, sont strictement interdits pour l'exploitation de l'émetteur.

Type d'antenne

: 2.4GHz Monopole Gain: +0.9 dBi

: 5GHz Monopole Gain: +2.0 dBi

- If the final product use the following frequency, please note that there is a limit.

for indoor use only(5150-5250MHz band and channel 52)
Pour usage intérieureseulement(5150-5250MHz band and channel 52)

High-power radars are allocated as primary users (i.e. priority users) of the bands 5250-5350 MHz and 5650-5850 MHz and that these radars could cause interference and/or damage to LE-LAN devices.
Les radars de haute puissance sont désignés utilisateurs principaux (c.-à-d., qu'ils ont la priorité) pour les bandes 5250-5350 MHz et 5650-5850 MHz, et ces radars pourraient causer du brouillage et/ou des dommages aux dispositifsLAN-EL..

- The following statements must be described on the user manual of the host device of this module;

Data transmission is always initiated by software, which is the passed down through the MAC, through the digital and analog baseband, and finally to the RF chip. Several special packets are initiated by the MAC. These are the only ways the digital baseband portion will turn on the RF transmitter, which it then turns off at the end of the packet. Therefore, the transmitter will be on only while one of the aforementioned packets is being transmitted. In other words, this device automatically discontinues transmission in case of either absence of information to transmit or operational failure.
La transmission des données est toujours initiée par le logiciel, puis les données sont transmises par l'intermédiaire du MAC, par la bande de base numérique et analogique et, enfin, à la puce RF. Plusieurs paquets spéciaux sont initiés par le MAC. Ce sont les seuls moyens pour qu'une partie de la bande de base numérique active l'émetteur RF, puis désactive celui-ci à la fin du paquet. En conséquence, l'émetteur reste uniquement activé lors de la transmission d'un des paquets susmentionnés. En d'autres termes, ce dispositif interrompt automatiquement toute transmission en cas d'absence d'information à transmettre ou de défaillance.

*If it is difficult to describe this statement on the host product due to the size, please describe in the User's manual.

- When installing it in a mobile equipment. Please describe the following warning to the manual.

This equipment complies with IC radiation exposure limits set forth for an uncontrolled environment and meets RSS-102 of the IC radio frequency (RF) Exposure rules. This equipment should be installed and operated keeping the radiator at least 20cm or more away from person's body.
Cet équipement est conforme aux limites d'exposition aux rayonnements énoncées pour un environnement non contrôlé et respecte les règles d'exposition aux fréquences radioélectriques (RF) CNR-102 de l'IC. Cet équipement doit être installé et utilisé en gardant une distance de 20 cm ou plus entre le radiateur et le corps humain.

- When installing it in a portable equipment.
It is necessary to take a SAR test with your set mounting this module.
Class II permissive change application is necessary using the SAR report.
Please contact Murata.

Note)

Portable equipment : Equipment for which the spaces between human body and antenna are used within 20cm.

Mobile equipment : Equipment used at position in which the spaces between human body and antenna exceeded 20cm.

- Antenna

Please refer to the 'Certification Antenna information' document supplied by Murata or please contact Murata for the detail designation of how to design the Antenna trace.

- Installation procedure

Supply Voltage

		Min.	Typ.	Max.	unit
Supply Voltage	VBAT	3.1	3.3	3.5	V
	VDDIO		1.8 or 3.3		V

*VDDIO don't influence the RF characteristic.

Preliminary

< Specification may be changed by Murata without notice >
Murata Manufacturing Co., Ltd.

INNOVATOR IN ELECTRONICS

RF Power

2.4GHz WLAN

mode	Rate	Channel	MAXIMUM TUNE UP TOLERANCE[dBm]
IEEE 802.11b	All Rate	1 - 11	19
IEEE 802.11g	6/9 Mbps	1 - 11	19
	12/18/24 Mbps	1 - 11	18
	36/48 Mbps	1 - 11	17
	54 Mbps	1 - 11	16
IEEE 802 11n(HT20)	MCS0 - 2	1 - 11	19
	MCS3	1 - 11	18
	MCS4 - 5	1 - 11	17
	MCS6	1 - 11	16
	MCS7	1 - 11	15

*Both indoor and outdoor can be used.

2.4GHz BT / LE

mode	MAXIMUM TUNE UP TOLERANCE[dBm]
BR	13
EDR	9
LE	9
LE(2M)	9

*Both indoor and outdoor can be used.

5GHz WLAN

mode	Rate	Channel	MAXIMUM TUNE UP TOLERANCE[dBm]
IEEE 802.11a	6/9/12/18 Mbps	(W52/W53) 36 - 64	18
		(W56) 100 - 144	18
		(W58) 149 - 165	18
	24/36 Mbps	(W52/W53) 36 - 64	17
		(W56) 100 - 144	17
		(W58) 149 - 165	17
	48 Mbps	(W52/W53) 36 - 64	16
		(W56) 100 - 144	16
		(W58) 149 - 165	16
	54 Mbps	(W52/W53) 36 - 64	15
		(W56) 100 - 144	15
		(W58) 149 - 165	15

*At the time of indoor use.

mode	Rate	Channel	MAXIMUM TUNE UP TOLERANCE[dBm]
IEEE 802.11a	6/9/12/18 Mbps	(W52) 36 – 48	N/A
		(W53) 52	N/A
		(W53) 56 – 64	18
		(W56) 100 – 144	18
		(W58) 149 - 165	18
	24/36 Mbps	(W52) 36 – 48	N/A
		(W53) 52	N/A
		(W53) 56 – 64	17
		(W56) 100 – 144	17
		(W58) 149 - 165	17
	48 Mbps	(W52) 36 – 48	N/A
		(W53) 52	N/A
		(W53) 56 – 64	16
		(W56) 100 – 144	16
		(W58) 149 - 165	16
	54 Mbps	(W52) 36 – 48	N/A
(W53) 52		N/A	
(W53) 56 – 64		15	
(W56) 100 – 144		15	
(W58) 149 - 165		15	

*At the time of outdoor use.

mode	Rate	Channel	MAXMUM TUNE UP TOLERANCE[dBm]
IEEE 802.11n(HT20)	MCS0 – 2	(W52/W53) 36 – 64	18
		(W56) 100 - 144	18
		(W58) 149 – 165	18
	MCS3 – 4	(W52/W53) 36 – 64	17
		(W56) 100 - 144	17
		(W58) 149 – 165	17
	MCS5	(W52/W53) 36 – 64	16
		(W56) 100 - 144	16
		(W58) 149 – 165	16
	MCS6	(W52/W53) 36 – 64	15
		(W56) 100 - 144	15
		(W58) 149 – 165	15
	MCS7	(W52/W53) 36 – 64	14
		(W56) 100 - 144	14
(W58) 149 – 165		14	

*At the time of indoor use.

mode	Rate	Channel	MAXMUM TUNE UP TOLERANCE[dBm]
IEEE 802.11n(HT20)	MCS0 – 2	(W52) 36 – 48	N/A
		(W53) 52	N/A
		(W53) 56 – 64	18
		(W56) 100 – 144	18
		(W58) 149 - 165	18
	MCS3 – 4	(W52) 36 – 48	N/A
		(W53) 52	N/A
		(W53) 56 – 64	17
		(W56) 100 – 144	17
		(W58) 149 - 165	17
	MCS5	(W52) 36 – 48	N/A
		(W53) 52	N/A
		(W53) 56 – 64	16
		(W56) 100 – 144	16
		(W58) 149 - 165	16
	MCS6	(W52) 36 – 48	N/A
		(W53) 52	N/A
		(W53) 56 – 64	15
		(W56) 100 – 144	15
		(W58) 149 - 165	15
MCS7	(W52) 36 – 48	N/A	
	(W53) 52	N/A	
	(W53) 56 – 64	14	
	(W56) 100 – 144	14	
	(W58) 149 - 165	14	

*At the time of outdoor use.

mode	Rate	Channel	MAXIMUM TUNE UP TOLERANCE[dBm]
IEEE 802.11ac(VHT20)	MCS0 -2	(W52/W53) 36 – 64	18
		(W56) 100 – 116, 132 - 144	18
		(W58) 149 - 165	18
	MCS3 – 4	(W52/W53) 36 – 64	17
		(W56) 100 – 116, 132 - 144	17
		(W58) 149 - 165	17
	MCS5	(W52/W53) 36 – 64	16
		(W56) 100 – 116, 132 - 144	16
		(W58) 149 - 165	16
	MCS6	(W52/W53) 36 – 64	15
		(W56) 100 – 116, 132 - 144	15
		(W58) 149 - 165	15
	MCS7	(W52/W53) 36 – 64	14
		(W56) 100 – 116, 132 - 144	14
		(W58) 149 - 165	14
	MCS8	(W52/W53) 36 – 64	12
		(W56) 100 – 116, 132 - 144	12
		(W58) 149 - 165	12

*At the time of indoor use.

mode	Rate	Channel	MAXIMUM TUNE UP TOLERANCE[dBm]
IEEE 802.11ac(VHT20)	MCS0 - 2	(W52) 36 - 48	N/A
		(W53) 52	N/A
		(W53) 56 - 64	18
		(W56) 100 - 116, 132 - 144	18
		(W58) 149 - 165	18
	MCS3 - 4	(W52) 36 - 48	N/A
		(W53) 52	N/A
		(W53) 56 - 64	17
		(W56) 100 - 116, 132 - 144	17
		(W58) 149 - 165	17
	MCS5	(W52) 36 - 48	N/A
		(W53) 52	N/A
		(W53) 56 - 64	16
		(W56) 100 - 116, 132 - 144	16
		(W58) 149 - 165	16
	MCS6	(W52) 36 - 48	N/A
		(W53) 52	N/A
		(W53) 56 - 64	15
		(W56) 100 - 116, 132 - 144	15
		(W58) 149 - 165	15
	MCS7	(W52) 36 - 48	N/A
		(W53) 52	N/A
		(W53) 56 - 64	14
		(W56) 100 - 116, 132 - 144	14
		(W58) 149 - 165	14
	MCS8	(W52) 36 - 48	N/A
		(W53) 52	N/A
		(W53) 56 - 64	12
(W56) 100 - 116, 132 - 144		12	
(W58) 149 - 165		12	

*At the time of outdoor use.

Frequency of operation

Frequency of operation		Scan	Ad-hoc mode
2.4GHz	11/b/g/n(HT20)	2412 - 2462MHz	Active/Passive
W52	11a/n/ac((V)HT20)	5180 - 5240MHz	Active/Passive
W53	11a/n/ac((V)HT20)	5260 - 5320MHz	Passive
W56	11a/n/ac((V)HT20)	5500 - 5720MHz	Passive
W58	11a/n/ac((V)HT20)	5745 - 5825MHz	Active/Passive

* End users can not modify the software because F/W & driver are installed in device.

Compliance with IC requirement RSS-210 A9.4.4

Data transmission is always initiated by software, which is the passed down through the MAC, through the digital and analog baseband, and finally to the RF chip. Several special packets are initiated by the MAC. These are the only ways the digital baseband portion will turn on the RF transmitter, which it then turns off at the end of the packet. Therefore, the transmitter will be on only while one of the aforementioned packets is being transmitted. In other words, this device automatically discontinues transmission in case of either absence of information to transmit or operational failure.

Conformité à la norme CNR-210 A9.4.4

La transmission des données est toujours initiée par le logiciel, puis les données sont transmises par l'intermédiaire du MAC, par la bande de base numérique et analogique et, enfin, à la puce RF. Plusieurs paquets spéciaux sont initiés par le MAC. Ce sont les seuls moyens pour qu'une partie de la bande de base numérique active l'émetteur RF, puis désactive celui-ci à la fin du paquet. En conséquence, l'émetteur reste uniquement activé lors de la transmission d'un des paquets susmentionnés. En d'autres termes, ce dispositif interrompt automatiquement toute transmission en cas d'absence d'information à transmettre ou de défaillance.

Preliminary

< Specification may be changed by Murata without notice >

Murata Manufacturing Co., Ltd.

Application Model Name: Type1LV
Certification Number: 001-P01338



R 001-P01338

日本では W52/W53 は屋内使用限定

In Japan, W52/W53 is for indoor use only.

特定無線設備の種別 Classification of Specified Radio Equipment	証明規則第 2 条第 1 項第 19 号の無線設備 2.4GHz 帯高度化省電力データ通信システム Radio equipment for Article 2-1-19 of Certification Ordinance
	証明規則第 2 条第 1 項第 19 号の 3 の無線設備 5GHz 帯小電力データ通信システム (I) Radio equipment for Article 2-1-19-3 of Certification Ordinance
	証明規則第 2 条第 1 項第 19 号の 3 の 2 の無線設備 5GHz 帯小電力データ通信システム (II) Radio equipment for Article 2-1-19-3-2 of Certification Ordinance

Preliminary

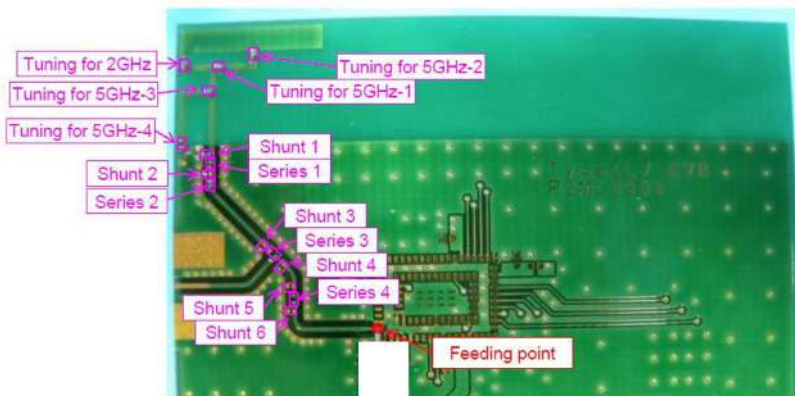
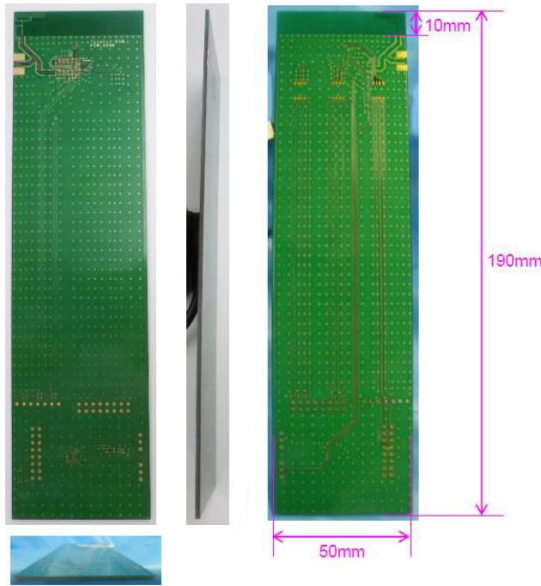
< Specification may be changed by Murata without notice >
Murata Manufacturing Co., Ltd.

Annex B

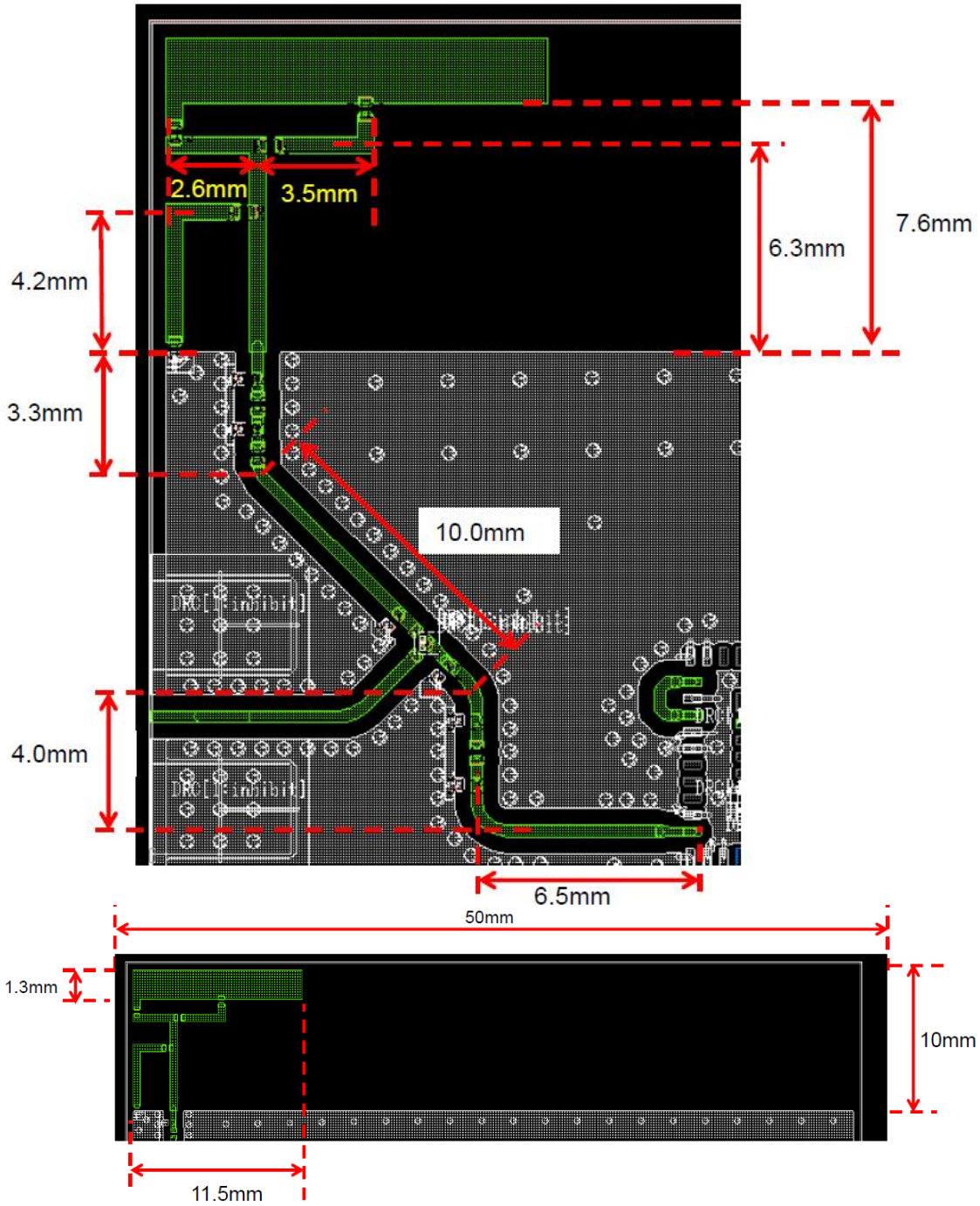
Certified Antenna information

Antenna Model Name	Type1LV-Antenna
Antenna type	Monopole pattern antenna
Antenna manufacture	Murata Manufacturing Co.,Ltd.
Antenna gain	+0.9 dBi@2.4GHz +2.0dBi@5GHz
Frequency	2400-2483.5MHz, 5150-5850MHz

Appearance

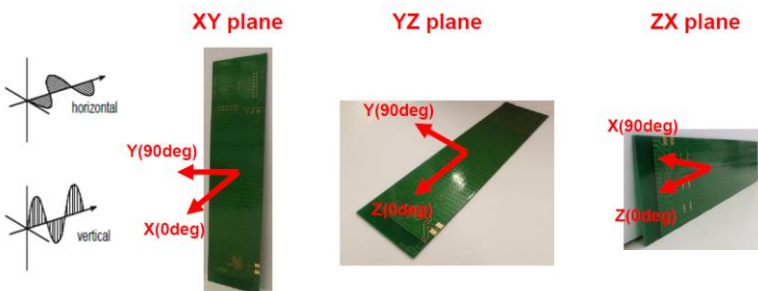


Tuning				Matching Circuit										
2GHz	5GHz-1	5GHz-2	5GHz-3	5GHz-4	Shunt1	Series1	Shunt2	Series2	Shunt3	Series3	Shunt4	Shunt5	Series4	Shunt6
1.0nH	0.3pF	0.3pF	3.0nH	0ohm	3.9nH	2.0pF	None	1.5nH	None	0ohm	None	None	0ohm	none



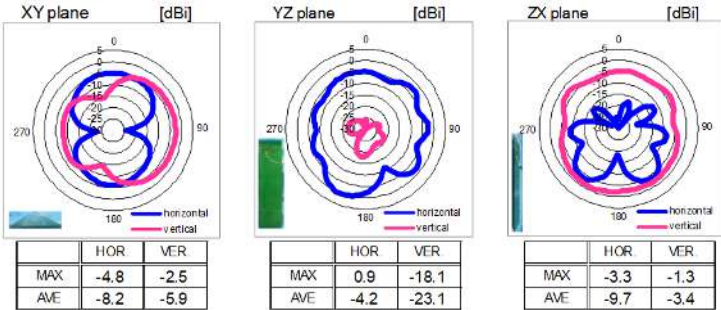
Antenna trace width 0.5mm

Direction



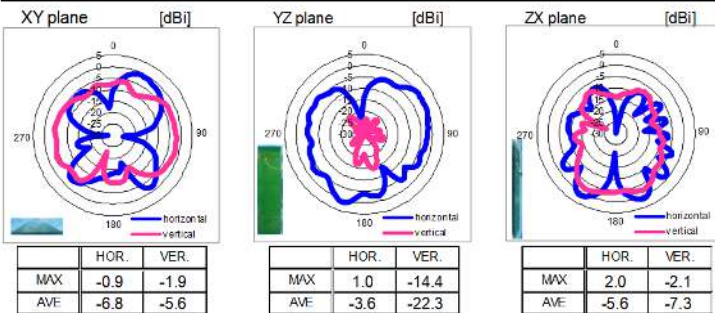
INNOVATOR IN ELECTRONICS

LINEAR POLARIZATION		[dBi]				[dB]		Total Efficiency
		XY-plane		YZ-plane		ZX-plane		
		hor.	ver.	hor.	ver.	hor.	ver.	
2400 MHz	MAX.	-5.0	-3.3	0.5	-18.7	-3.4	-1.5	
	AVE.	-8.3	-6.4	-4.4	-24.1	-9.6	-3.6	
2442 MHz	MAX.	-4.8	-2.5	0.9	-18.1	-3.3	-1.3	-3.4
	AVE.	-8.2	-5.9	-4.2	-23.1	-9.7	-3.4	
2484 MHz	MAX.	-4.5	-2.7	0.1	-18.9	-3.2	-1.1	-3.4
	AVE.	-8.0	-6.0	-4.2	-23.6	-9.7	-3.3	



@2442MHz

LINEAR POLARIZATION		[dBi]				[dB]		Total Efficiency
		XY-plane		YZ-plane		ZX-plane		
		hor.	ver.	hor.	ver.	hor.	ver.	
5150 MHz	MAX.	-0.6	-2.6	1.3	-14.9	0.9	-0.1	-3.0
	AVE.	-6.4	-6.6	-3.6	-21.7	-6.6	-5.8	
5500 MHz	MAX.	-0.9	-1.9	1.0	-14.4	2.0	-2.1	-3.0
	AVE.	-6.8	-5.6	-3.6	-22.3	-5.6	-7.3	
5850 MHz	MAX.	-1.0	-2.7	0.6	-13.3	0.8	-2.6	-3.1
	AVE.	-6.8	-6.1	-3.8	-21.1	-6.3	-7.4	



@5500MHz

- Please perform the antenna design that above certified antenna specifications of the antenna.
- About the signal line between an antenna and a module
It is a 50-ohm line design.
- Fine tuning of return loss etc. can be performed using a matching network.
- However, it is required to check "Class1 change" and "Class2 change" which the authorities define then.
- The concrete contents of a check are the following three points.

 - 1) It is the same type as the antenna type of antenna specifications.
 - 2) An antenna gain is lower than a gain given in antenna specifications.
 - 3) The emission level is not getting worse.

-50ohm line (microstrip line length)

50-ohm line length	We test it at 23.8mm as a representative
--------------------	--

