

SACC-CIP-M12FS-8P SMD R32 - Contact carrier



1411994

<https://www.phoenixcontact.com/us/products/1411994>

Please be informed that the data shown in this PDF document is generated from our online catalog. Please find the complete data in the user documentation. Our general terms of use for downloads are valid.



Contact carrier, 8-position, Socket, straight, M12, coding: A , PCB mounting, SMD reflow, Alternative product in accordance with RoHS II without Exemption 6c (Pb <0.1%) item no.: 1308204

Your advantages

- Reduced mounting costs thanks to two-piece device connector
- Packaging available for automated pick and place assembly
- All common pin assignments and codings available
- Easy device integration thanks to mechanical port screw connections with threaded attachment, press-in contour or direct integration in the front plate
- Additional gasket for the device when not plugged in

Commercial data

Item number	1411994
Packing unit	1 pc
Minimum order quantity	100 pc
Sales key	AB23
Product key	ABQBGT
GTIN	4046356992251
Weight per piece (including packing)	6.23 g
Weight per piece (excluding packing)	6 g
Customs tariff number	85366990
Country of origin	DE

Technical data

Notes

General	The electrical and mechanical data specified assume that the connector pair is correctly locked and mounted. If the connector is unlocked and if there is a danger of contamination, the connector must be sealed using a protective cap > IP54. Influences arising from litz wires, cables or PCB assembly must also be taken into consideration.
---------	--

Product properties

Product type	Contact insert
Number of positions	8
Application	Signal
Seal present	yes
Shielded	no
Coding	A
Thread type	M12

Insulation characteristics

Overvoltage category	III
Degree of pollution	3

Electrical properties

Rated surge voltage	0.8 kV
Contact resistance	$\leq 3 \text{ m}\Omega$
Insulation resistance	$\geq 100 \text{ M}\Omega$
Nominal voltage U_N	30 V
Nominal current I_N	2 A

Material specifications

Flammability rating according to UL 94	V0
Seal material	FKM
Contact material	CuZn
Contact surface material	Au
Contact carrier material	PA

Connector

Connection 1

Head design	Socket
Head cable outlet	straight
Head thread type	M12
Coding	A

Mechanical properties

SACC-CIP-M12FS-8P SMD R32 - Contact carrier



1411994

<https://www.phoenixcontact.com/us/products/1411994>

Mechanical data

Insertion/withdrawal cycles	> 100
-----------------------------	-------

Environmental and real-life conditions

Ambient conditions

Degree of protection (when plugged in)	IP67 (correctly plugged in and locked)
Degree of protection	IP67
Ambient temperature (operation)	-25 °C ... 105 °C (Plug / socket)
	-40 °C ... 105 °C (without mechanical actuation)

Standards and regulations

M12

Standard designation	M12 connector
Standards/specifications	IEC 61076-2-101
Note	In line with

Mounting

Mounting type	PCB mounting
Connection method	SMD reflow

Packaging specifications

Type of packaging	Belt
-------------------	------

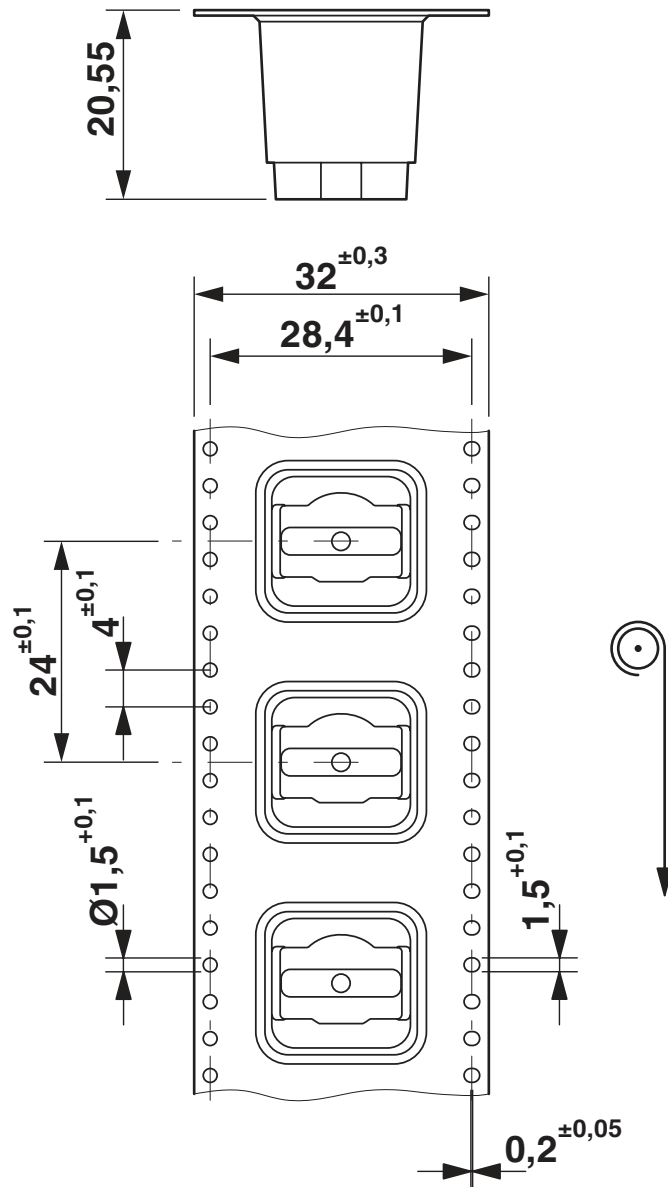
SACC-CIP-M12FS-8P SMD R32 - Contact carrier

1411994

<https://www.phoenixcontact.com/us/products/1411994>

Drawings

Dimensional drawing



SMD tape-on-reel packing

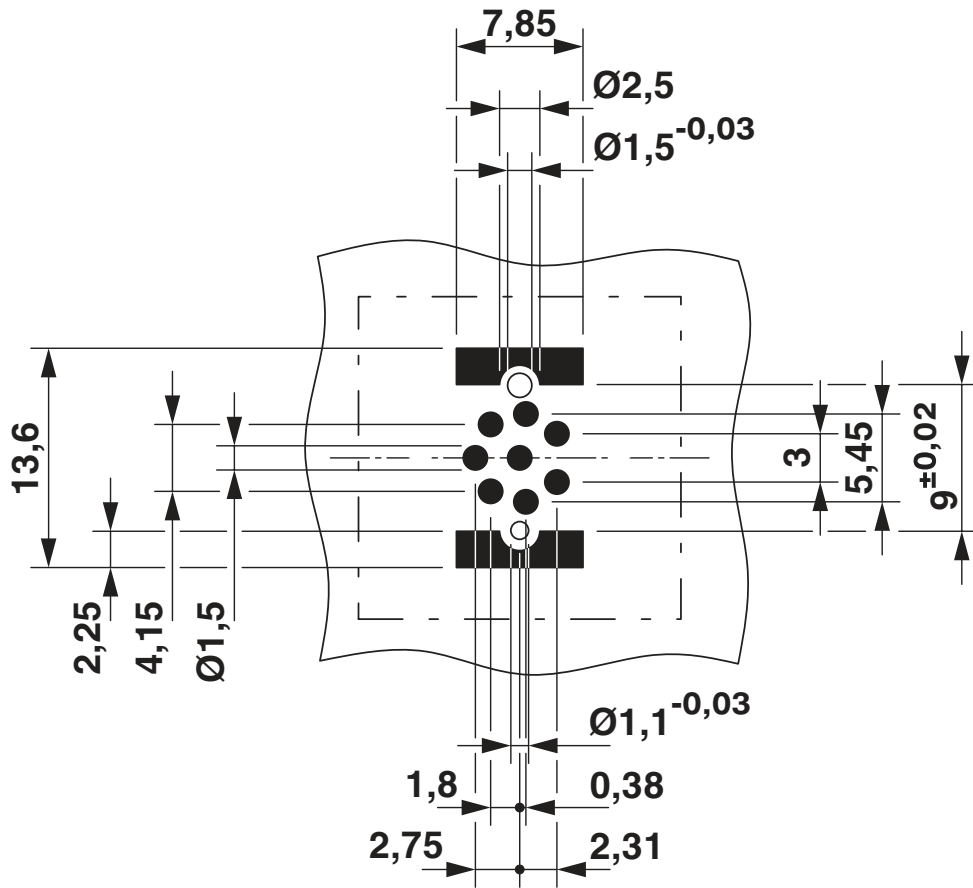
SACC-CIP-M12FS-8P SMD R32 - Contact carrier



1411994

<https://www.phoenixcontact.com/us/products/1411994>

Drilling plan/solder pad geometry



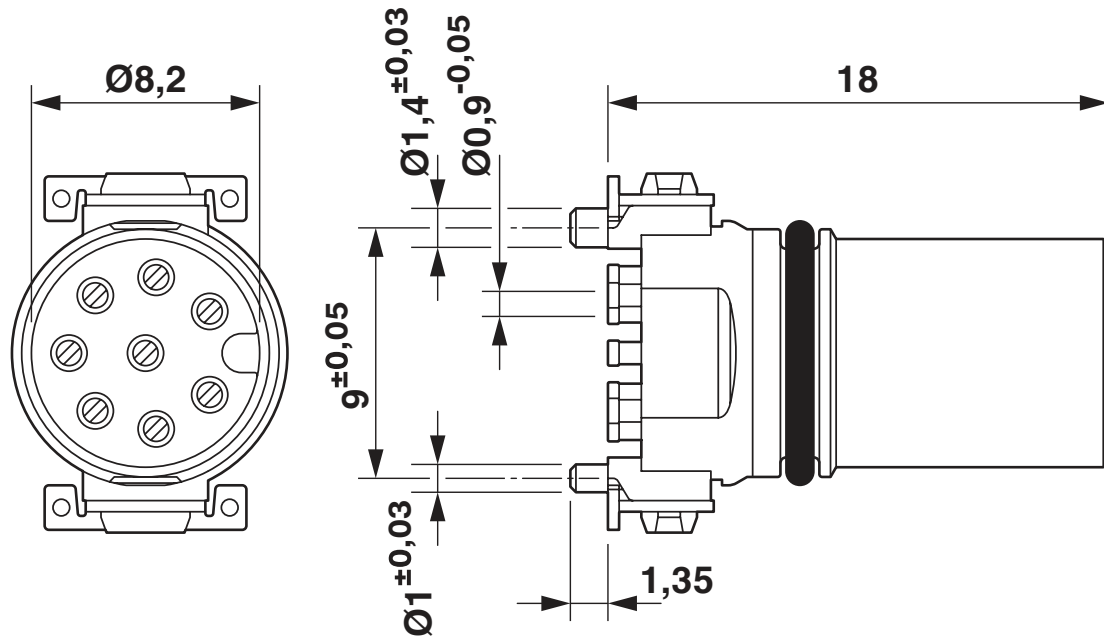
Soldering pad geometry

SACC-CIP-M12FS-8P SMD R32 - Contact carrier

1411994

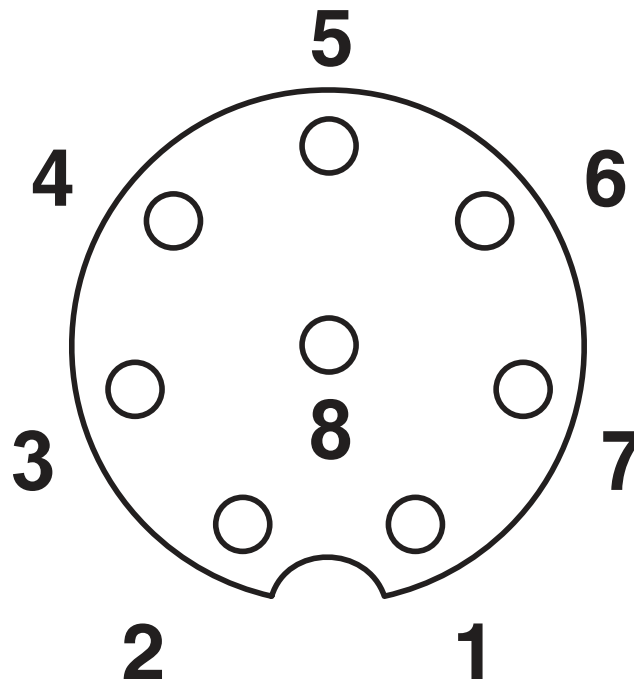
<https://www.phoenixcontact.com/us/products/1411994>

Dimensional drawing



Dimensional drawing

Schematic diagram



Pin assignment M12 socket, 8-pos., A-coded, view female side

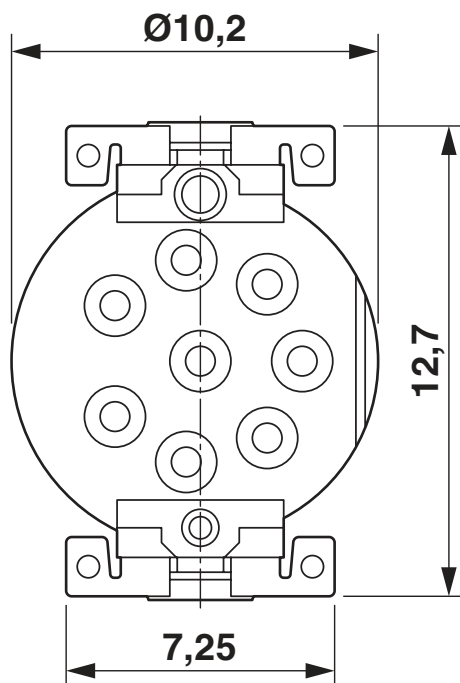
SACC-CIP-M12FS-8P SMD R32 - Contact carrier



1411994

<https://www.phoenixcontact.com/us/products/1411994>

Dimensional drawing



View of solder side

SACC-CIP-M12FS-8P SMD R32 - Contact carrier



1411994

<https://www.phoenixcontact.com/us/products/1411994>

Approvals

To download certificates, visit the product detail page: <https://www.phoenixcontact.com/us/products/1411994>



EAC

Approval ID: B.01687



cULus Recognized

Approval ID: E221474-20160506

	Nominal voltage U_N	Nominal current I_N	Cross section AWG	Cross section mm^2
	30 V	2 A	-	-

SACC-CIP-M12FS-8P SMD R32 - Contact carrier



1411994

<https://www.phoenixcontact.com/us/products/1411994>

Classifications

ECLASS

ECLASS-11.0	27440102
ECLASS-12.0	27440116
ECLASS-13.0	27440116

ETIM

ETIM 8.0	EC002635
----------	----------

UNSPSC

UNSPSC 21.0	39121400
-------------	----------

SACC-CIP-M12FS-8P SMD R32 - Contact carrier



1411994

<https://www.phoenixcontact.com/us/products/1411994>

Environmental product compliance

REACH SVHC	Lead 7439-92-1
China RoHS	Environmentally Friendly Use Period = 50 years
	For information on hazardous substances, refer to the manufacturer's declaration available under "Downloads"

SACC-CIP-M12FS-8P SMD R32 - Contact carrier



1411994

<https://www.phoenixcontact.com/us/products/1411994>

Accessories

SACC-BP-F-M12/M15-6-SMD - Housing screw connection

1414021

<https://www.phoenixcontact.com/us/products/1414021>



Housing screw connection, Socket, M12, Rear mounting, Alternative product in accordance with RoHS II without Exemption 6c (Pb <0.1%) item no.: 1239058

SACC-BP-F-M12/M15-6-SMD SCO - Housing screw connection

1414023

<https://www.phoenixcontact.com/us/products/1414023>



Housing screw connection, Socket, M12-SPEEDCON, Rear mounting, M15 x 1, Alternative product in accordance with RoHS II without Exemption 6c (Pb <0.1%) item no.: 1239059

SACC-CIP-M12FS-8P SMD R32 - Contact carrier

1411994

<https://www.phoenixcontact.com/us/products/1411994>



SACC-FP-F-M12/M14 SMD - Housing screw connection

1412079

<https://www.phoenixcontact.com/us/products/1412079>



M12 female connector, front mounting SMD with M14 screw fastening

SACC-FP-F-M12/PRESS SMD - Housing screw connection

1412081

<https://www.phoenixcontact.com/us/products/1412081>



Housing screw connection, Socket, M12, Front mounting, Alternative product in accordance with RoHS II without Exemption 6c (Pb <0.1%) item no.: 1238973

SACC-CIP-M12FS-8P SMD R32 - Contact carrier

1411994

<https://www.phoenixcontact.com/us/products/1411994>



SACC-BP-F-M12/SMD-0,9/1,6-9TIP - Housing screw connection

1419569

<https://www.phoenixcontact.com/us/products/1419569>



Housing screw connection, M12, Rear mounting, Alternative product in accordance with RoHS II without Exemption 6c (Pb <0.1%) item no.: 1239268

SACC-BP-F-M12/SMD-1,6/2,3-9TIP - Housing screw connection

1419570

<https://www.phoenixcontact.com/us/products/1419570>



Housing screw connection, M12, Rear mounting

SACC-CIP-M12FS-8P SMD R32 - Contact carrier

1411994

<https://www.phoenixcontact.com/us/products/1411994>



SACC-BP-F-M12/SMD-2,3/3,0-9TIP - Housing screw connection

1419571

<https://www.phoenixcontact.com/us/products/1419571>



Housing screw connection, M12, Rear mounting, Alternative product in accordance with RoHS II without Exemption 6c (Pb <0.1%) item no.: 1239270

SACC-BP-F-FIX/NUT-BK-SMD - Fixing sleeve

1419568

<https://www.phoenixcontact.com/us/products/1419568>



Fixing sleeve for M12 housing screw connection with tolerance-compensating function, for SMD-solderable M12 socket contact inserts.

SACC-CIP-M12FS-8P SMD R32 - Contact carrier

1411994

<https://www.phoenixcontact.com/us/products/1411994>



SACC-BP-F-FIX/NUT-CY-SMD - Fixing sleeve

1419565

<https://www.phoenixcontact.com/us/products/1419565>



Fixing sleeve for M12 housing screw connection with tolerance-compensating function, for SMD-solderable M12 socket contact inserts.

SACC-BP-F-FIX/NUT-GN-SMD - Fixing sleeve

1419566

<https://www.phoenixcontact.com/us/products/1419566>



Fixing sleeve for M12 housing screw connection with tolerance-compensating function, for SMD-solderable M12 socket contact inserts.

SACC-CIP-M12FS-8P SMD R32 - Contact carrier

1411994

<https://www.phoenixcontact.com/us/products/1411994>



SACC-BP-F-FIX/NUT-VT-SMD - Fixing sleeve

1419567

<https://www.phoenixcontact.com/us/products/1419567>



Fixing sleeve for M12 housing screw connection with tolerance-compensating function, for SMD-solderable M12 socket contact inserts.

Phoenix Contact 2023 © - all rights reserved

<https://www.phoenixcontact.com>

Phoenix Contact USA
586 Fulling Mill Road
Middletown, PA 17057, United States
(+717) 944-1300
info@phoenixcon.com