

10 9 8 7 6 5 4 3 2 1

F

E

D

C

B

A

F

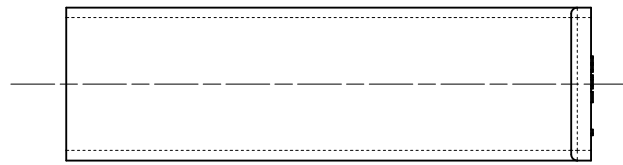
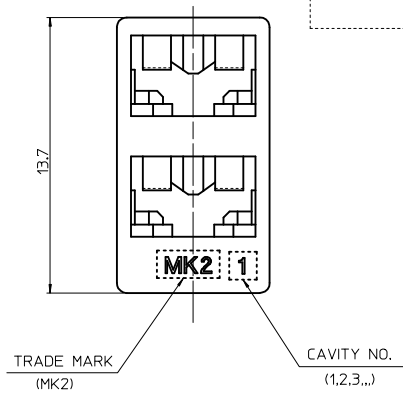
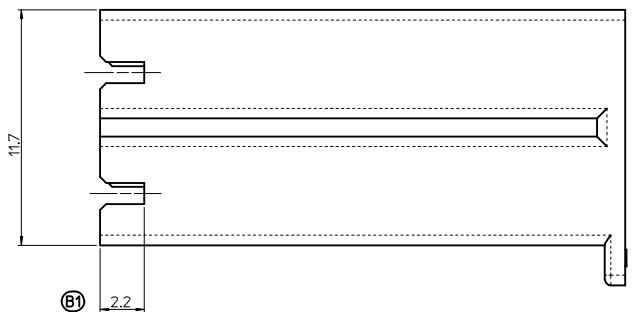
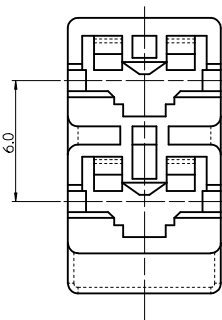
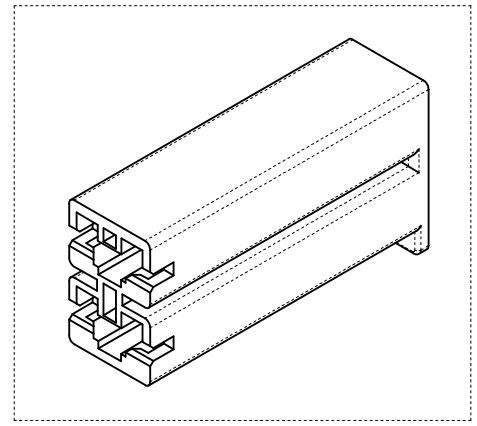
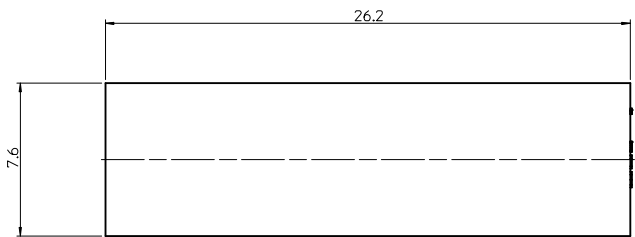
E

D

C

B

A



NOTES

① 1. MATERIAL : POLYAMIDE66, NO GLASS FILLED, UL94V-2.

NO.	MATERIAL NO.	PART NO.	COLOR
1.	351890200	35189-0200	NATURAL
2.	351890202	35189-0202	RED
3.	351890203	35189-0203	YELLOW
4.	351890204	35189-0204	BLUE

2. APPLICABLE TERMINAL : 35068-9**2

REVISED EC NO: KOR2015-0096 DRWN: SCHONG03 2014/06/09 CHKD: SHCHU 2014/06/09 APPR:	DESCRIPTION REV:	QUALITY SYMBOLS ▽=0 ▽=0	GENERAL TOLERANCES (UNLESS SPECIFIED)		DIMENSION STYLE MM ONLY		SCALE 5:1	DESIGN UNITS METRIC	THIRD ANGLE PROJECTION
		4 PLACES ± --- ± --- 3 PLACES ± --- ± --- 2 PLACES ± --- ± --- 1 PLACE ± 0.3 ± --- 0 PLACE ± --- ± ---	mm INCH ± --- ± --- ± --- ± --- ± 0.3 ± --- ± --- ± ---	DRAWN BY SCHONG03	DATE 2014/06/09	TITLE .187 MP-Lock HOUSING -2P (6.0MM PITCH)			
		ANGULAR ± 1 °		CHECKED BY SHCHU	DATE 2014/06/09	MATERIAL NO. SEE NOTES		DOCUMENT NO. SD-35189-0200	SHEET NO. 1 OF 1
		DRAFT WHERE APPLICABLE MUST REMAIN WITHIN DIMENSIONS		APPROVED BY DATE		THIS DRAWING CONTAINS INFORMATION THAT IS PROPRIETARY TO MOLEX INCORPORATED AND SHOULD NOT BE USED WITHOUT WRITTEN PERMISSION			

9 8 7 6 5 4 3 2 1