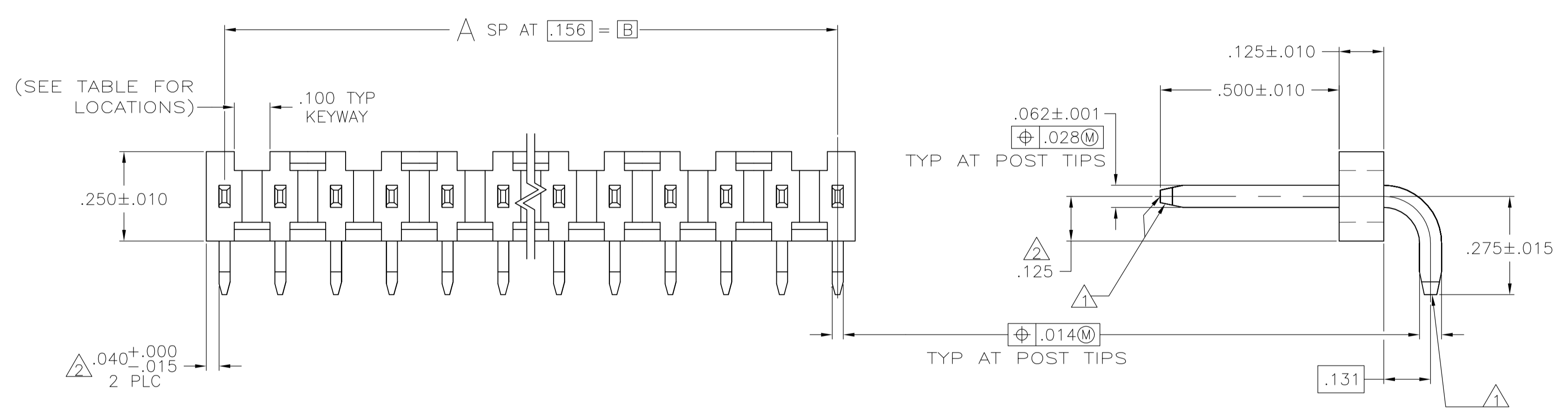
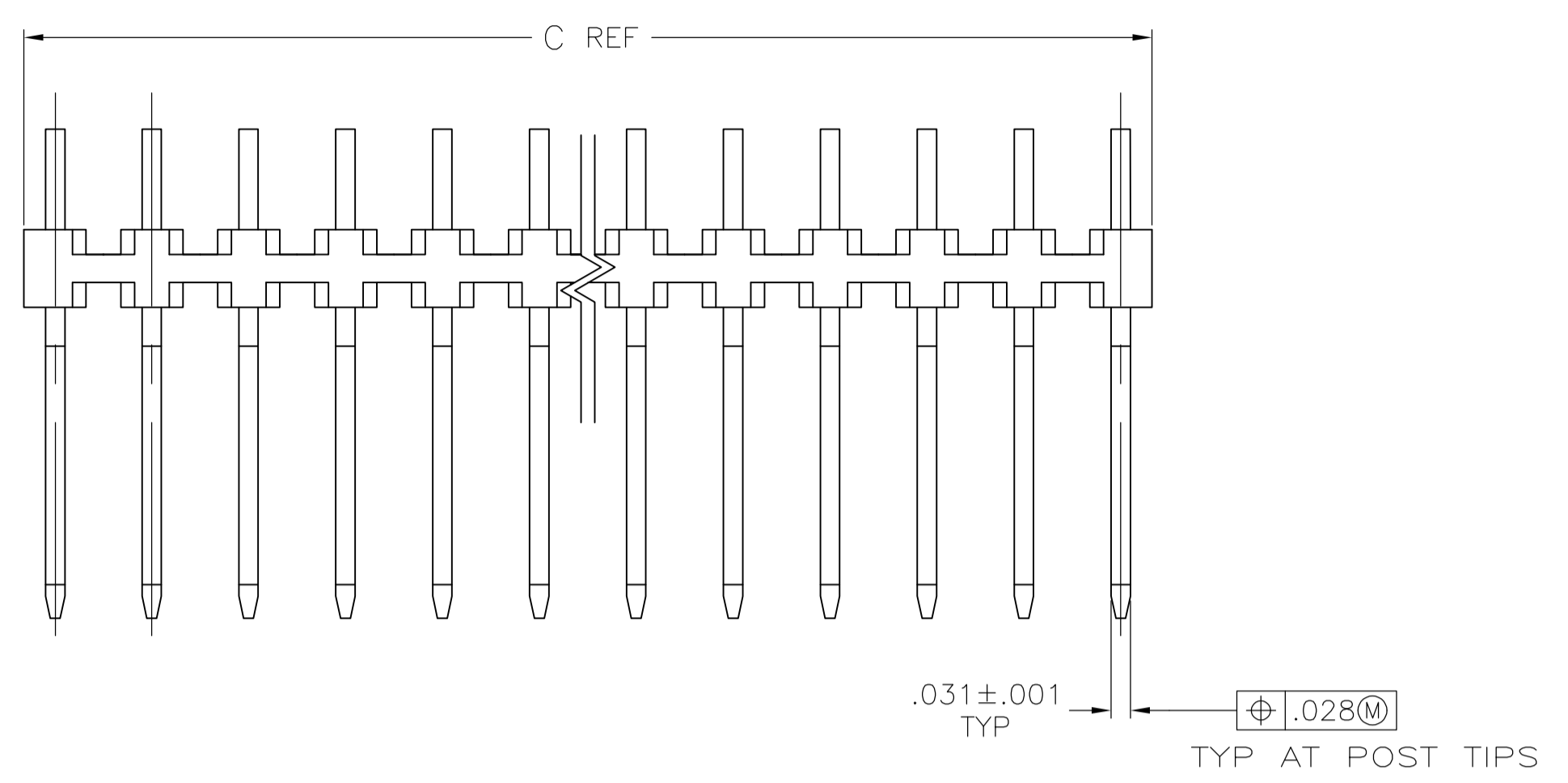
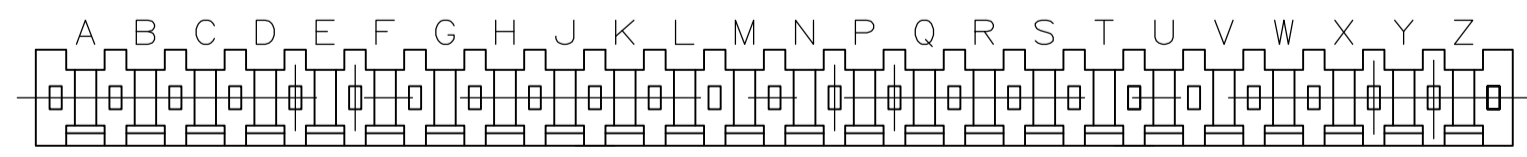
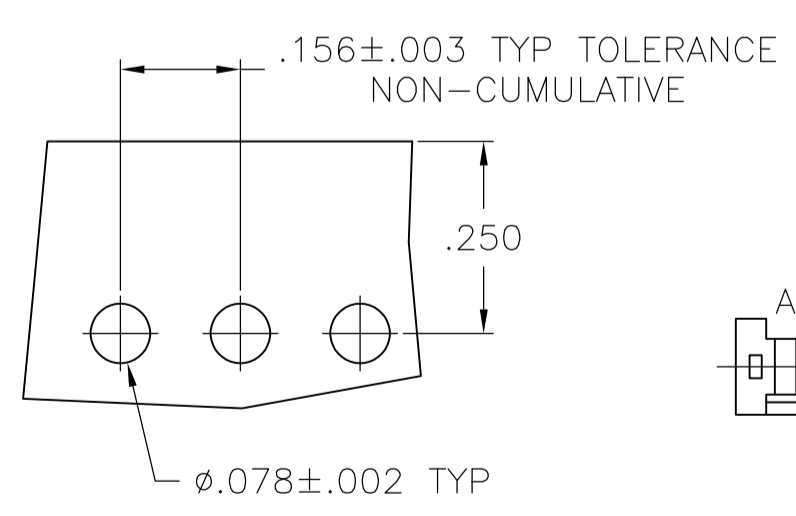
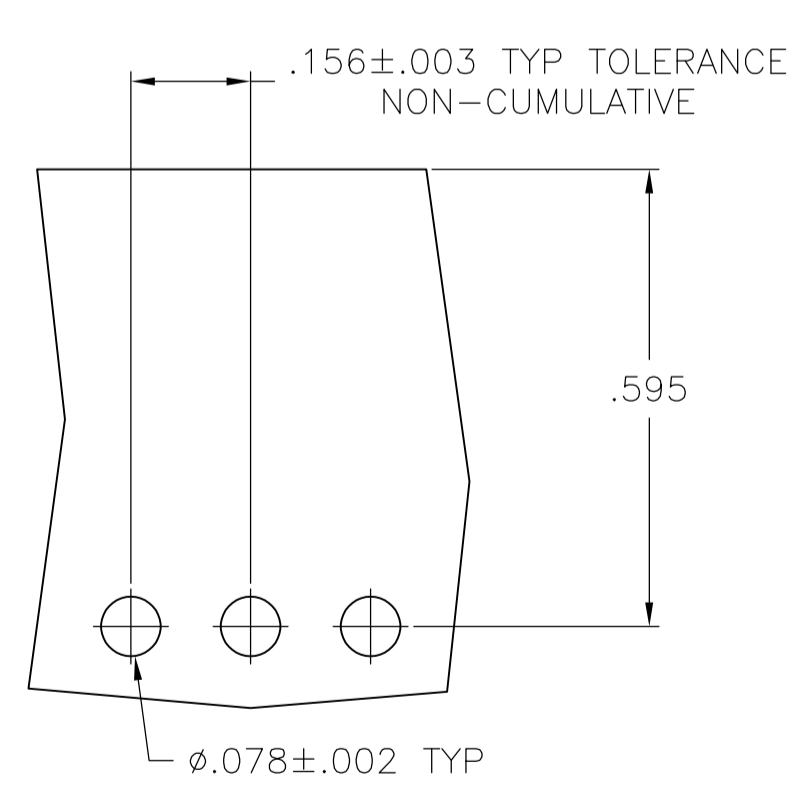


LOC		DIST		REVISIONS			
P	LTR	DESCRIPTION	DATE	DWN	APVD		
R1	ECO-05-016271		25FEB06	BSV	JR		
R2	REVISED PER ECO-09-020774		22AUG09	KK	AEG		

- ① THE TIPS OF THE POSTS WILL NOT BE PLATED.
- ② THE NOTED DIMENSIONS APPLY AT THE INTERSECTION OF THE POST AND THE HOUSING.
- ③ .000050-.000150 BRIGHT TIN-LEAD.
- ④ .000050-.000150 MATTE TIN.
- ⑤ ROHS 2002/95/EC COMPLIANT.
- ⑥ OBSOLETE PARTS: OBSOLETE CIS STREAMLINING PER D.RENAUD/D.SINISI



③ .040±.000  
-.015  
2 PLC



FINISH	KEYWAY LOCATIONS	NO OF KEYWAY	C	B	A	NO OF POSN	ASSEMBLY PART NUMBER
③	A,C,E,H,K,M,Q,S,U,W,Y	11	3.855	3.744	24	25	⑦-87194-4
③	A,C,E,G,J,L,N,Q,S,U,W,Y	12	3.699	3.588	23	24	⑦-87194-3
③	A,D,G,K,N,R,U,X	8	3.543	3.432	22	23	⑦-87194-2
③	A,C,E,G,J,L,N,Q,S,U,W	11	3.387	3.276	21	22	⑦-87194-1
③	A,D,G,K,N,R,U	7	3.231	3.120	20	21	⑦-87194-0
③	A,C,E,G,J,L,N,Q,S,U	10	3.075	2.964	19	20	⑥-87194-9
③	B,D,F,J,L,N,Q,S	8	2.919	2.808	18	19	⑥-87194-8
③	A,D,F,J,M,P,S	7	2.763	2.652	17	18	⑥-87194-7
③	A,D,G,K,N,R	6	2.607	2.496	16	17	⑥-87194-6
③	A,C,E,G,J,L,N,Q	8	2.451	2.340	15	16	⑤-87194-5
③	A,D,G,K,N	5	2.295	2.184	14	15	⑥-87194-4
③	A,C,E,G,J,L,N	7	2.139	2.028	13	14	⑥-87194-3
③	A,D,J,M	4	1.983	1.872	12	13	⑥-87194-2
③	A,C,E,G,J,L	6	1.827	1.716	11	12	⑥-87194-1
③	A,D,G,K	4	1.671	1.560	10	11	⑤-87194-0
③	A,C,E,G,J	5	1.515	1.404	9	10	⑤-87194-9
③	A,D,G	3	1.359	1.248	8	9	⑤-87194-8
③	A,C,E,G	4	1.203	1.092	7	8	⑤-87194-7
③	A,C,E	3	1.047	.936	6	7	⑤-87194-6
③	A,C,E	3	.891	.780	5	6	⑤-87194-5
③	A,D	2	.735	.624	4	5	⑤-87194-4
③	A,C	2	.579	.468	3	4	⑤-87194-3
③	A	1	.423	.312	2	3	⑤-87194-2
③	A	1	.267	.156	1	2	⑤-87194-1
③	A,C,E,H,K,M,Q,S,U,W,Y	11	3.855	3.744	24	25	⑥-2-87194-4
③	A,C,E,G,J,L,N,Q,S,U,W,Y	12	3.699	3.588	23	24	⑥-2-87194-3
③	A,D,G,K,N,R,U,X	8	3.543	3.432	22	23	⑥-2-87194-2
③	A,C,E,G,J,L,N,Q,S,U,W	11	3.387	3.276	21	22	⑥-2-87194-1
③	A,D,G,K,N,R,U	7	3.231	3.120	20	21	⑥-2-87194-0
③	A,C,E,G,J,L,N,Q,S,U	10	3.075	2.964	19	20	⑥-1-87194-9
③	B,D,F,J,L,N,Q,S	8	2.919	2.808	18	19	⑥-1-87194-8
③	A,D,F,J,M,P,S	7	2.763	2.652	17	18	⑥-1-87194-7
③	A,D,G,K,N,R	6	2.607	2.496	16	17	⑥-1-87194-6
③	A,C,E,G,J,L,N,Q	8	2.451	2.340	15	16	⑥-1-87194-5
③	A,D,G,K,N	5	2.295	2.184	14	15	⑥-1-87194-4
③	A,C,E,G,J,L,N	7	2.139	2.028	13	14	⑥-1-87194-3
③	A,D,J,M	4	1.983	1.872	12	13	⑥-1-87194-2
③	A,C,E,G,J,L	6	1.827	1.716	11	12	⑥-1-87194-1
③	A,D,G,K	4	1.671	1.560	10	11	⑥-1-87194-0
③	A,C,E,G,J	5	1.515	1.404	9	10	⑥-87194-9
③	A,D,G	3	1.359	1.248	8	9	⑥-87194-8
③	A,C,E,G	4	1.203	1.092	7	8	⑥-87194-7
③	A,C,E	3	1.047	.936	6	7	⑥-87194-6
③	A,C,E	3	.891	.780	5	6	⑥-87194-5
③	A,D	2	.735	.624	4	5	⑥-87194-4
③	A,C	2	.579	.468	3	4	⑥-87194-3
③	A	1	.423	.312	2	3	⑥-87194-2
③	A	1	.267	.156	1	2	⑥-87194-1

RECOMMENDED BOARD LAYOUTS

THIS DRAWING IS A CONTROLLED DOCUMENT. DIN L A MAYER 14APR87

APVD P deJONG 19MAY87 **Tyco Electronics** Tyco Electronics Corporation  
Harrisburg, Pa 17105-3608

DIMENSIONS: INCHES	TOLERANCES UNLESS OTHERWISE SPECIFIED:	PRODUCT SPEC	NAME
0 PLC ± -	1 PLC ± -	108-25016	HEADER ASSEMBLY, MOD 1, RIGHT ANGLE, SINGLE ROW, .156CL
2 PLC ± -	3 PLC ± .005	APPLICATION SPEC	SIZE CASE CODE DRAWING NO
4 PLC ± -	ANGLES ± -	RESTRICTED TO	A1 00779 C=87194
MATERIAL HOUSING - FLAME RETARDANT THERMOPLASTIC; COLOR - BLACK; POSTS - BRASS	FINISH SEE TABLE	WEIGHT	CUSTOMER DRAWING SCALE 4:1 SHEET 1 OF 1 REV R2