

**MATERIAL**

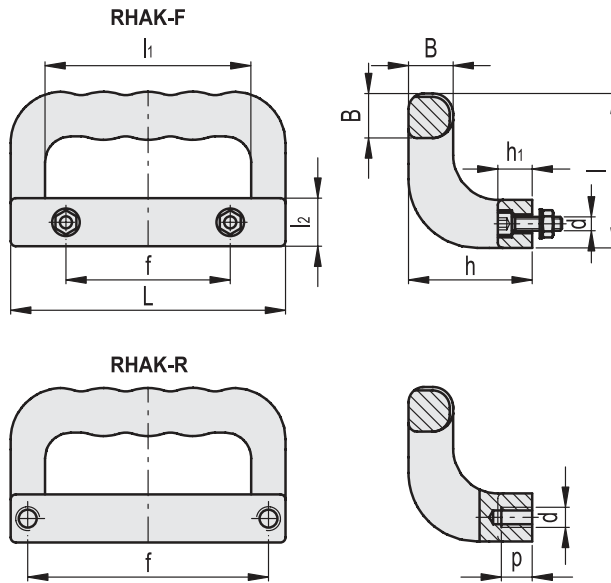
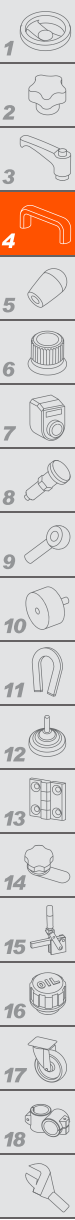
Aluminium casting, epoxy resin coating, black colour, semi-matte finish.

**STANDARD EXECUTIONS**

- **RHAK-F**: front mounting, pass-through holes for cylindrical-head screws with hexagon socket, stainless steel nuts and washers, included in the supply.
- **RHAK-R**: back mounting, threaded blind holes.

**SPECIAL EXECUTIONS ON REQUEST**

Different colours.



Conversion Table	
1 mm = 0,039 inch	
L	
mm	inch
160	6.30

Code	f	L	d	p	h1	B	h	l	l1	l2	⚖
RHAK-01.F096.54	96	160	M8x35	-	20	26	72	90	120	28	712
RHAK-01.R140.54	140	160	M8	18	-	26	72	90	120	28	655