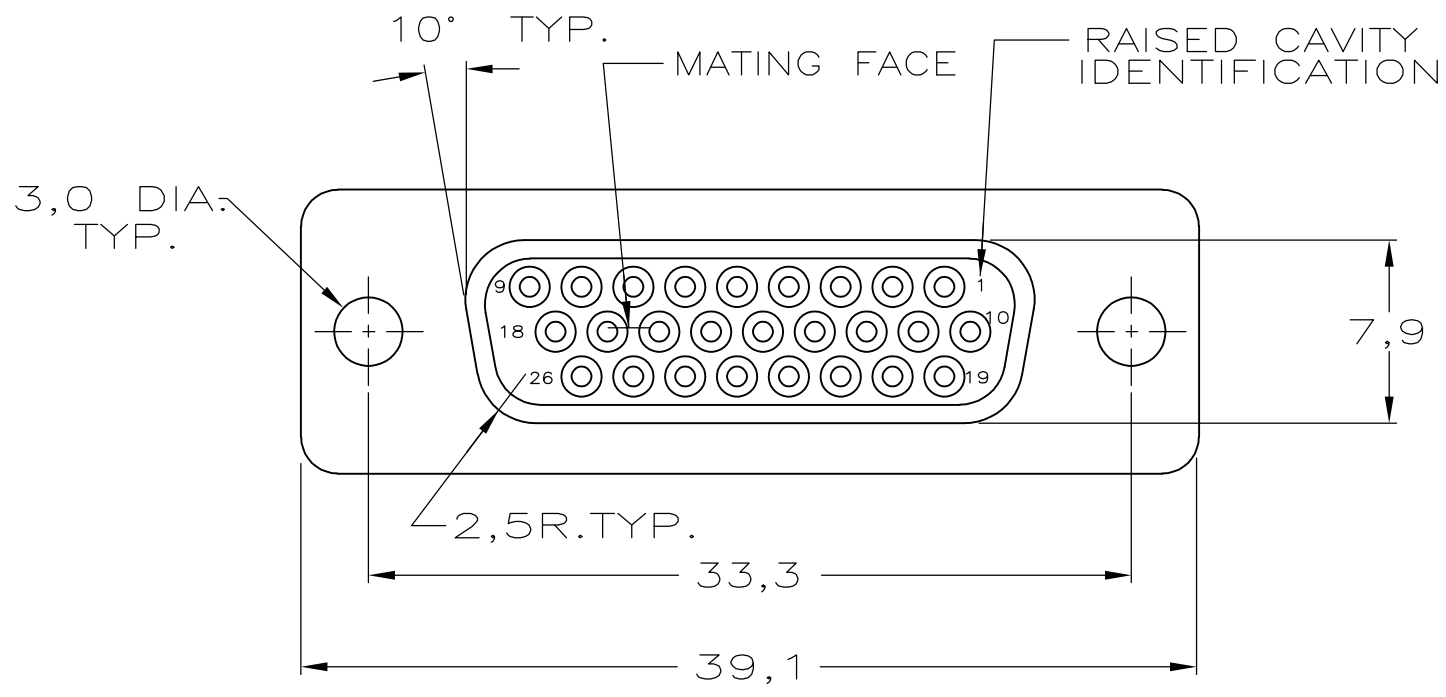


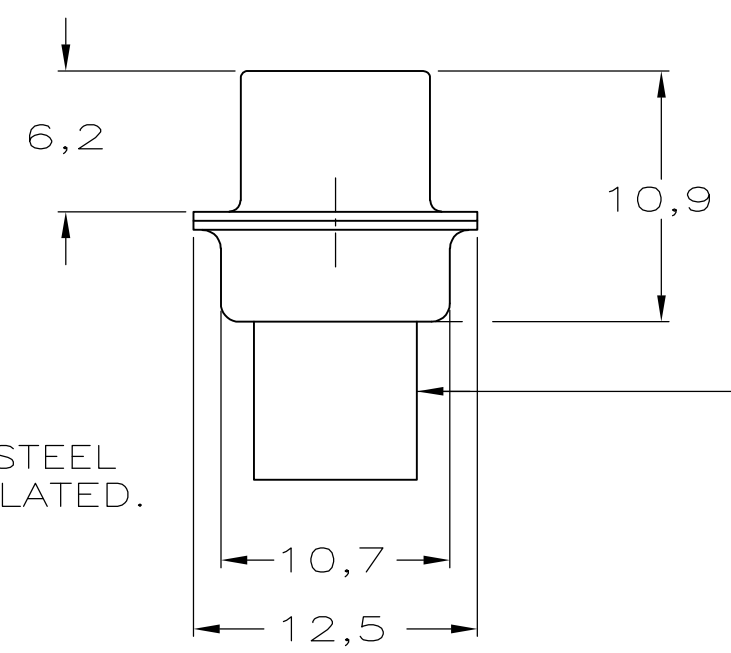
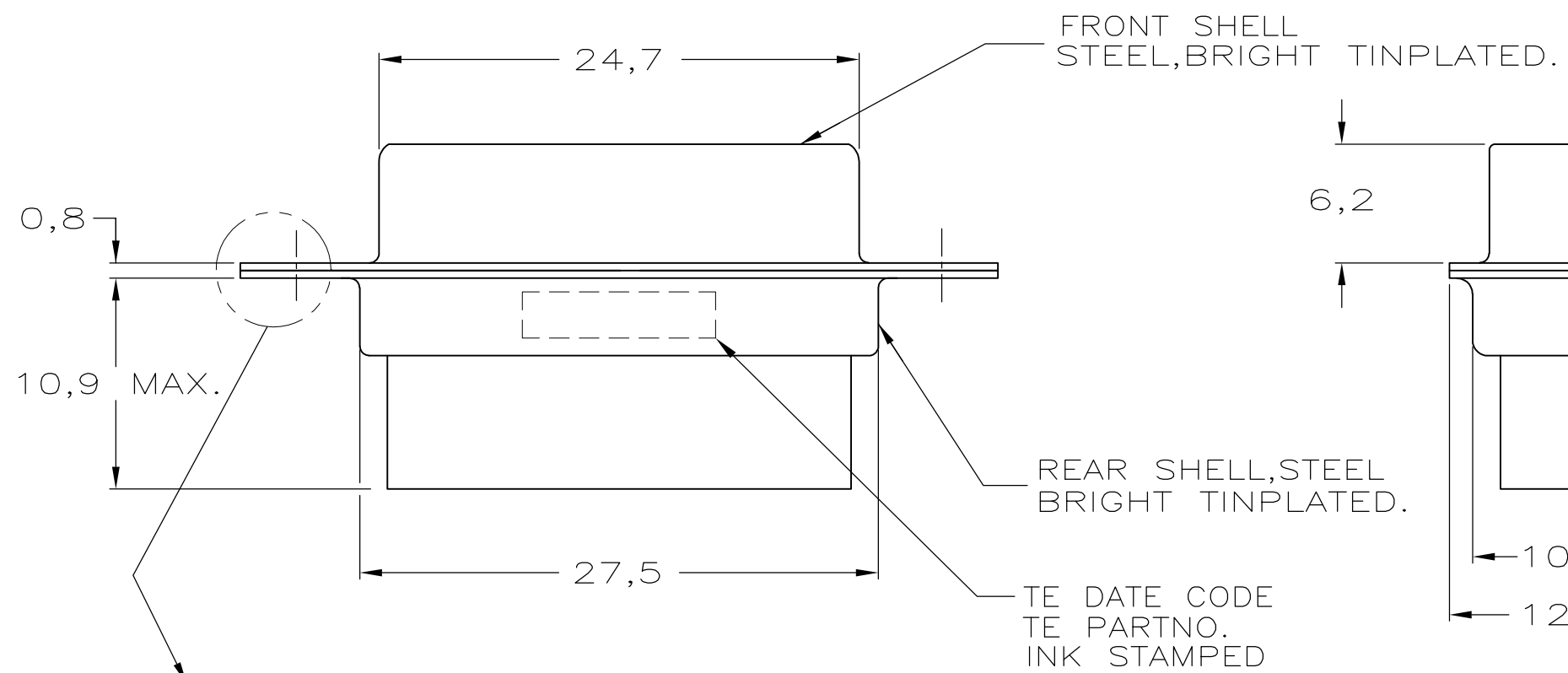
THIS DRAWING IS UNPUBLISHED. RELEASED FOR PUBLICATION  
 © COPYRIGHT - By - ALL RIGHTS RESERVED.

LOC	DIST	REVISIONS			
P	LTR	DESCRIPTION	DATE	DWN	APVD
H	-				
	0	INITIAL RELEASE	07-12-88	JvdH	LVS
	B	ECR-11-014975	25JUL11	RK	KMA

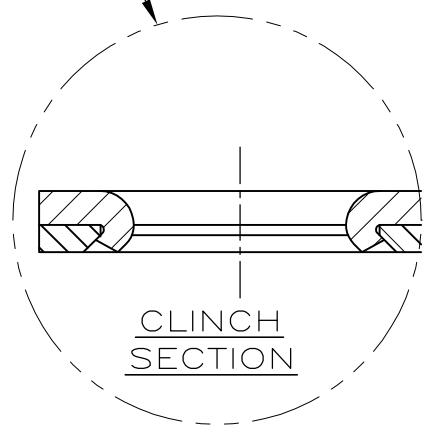


NOTES:

- 1 THIS RECEPTACLE ACCEPTS SIZE 22 REC. CONTACTS.
- 2 RETENTION TINES ARE AN INTEGRAL PART OF INSERT.
- 3 CONTACT INSERTION/REMOVAL TOOL TE P.N. 91285-1 IS RECOMMENDED FOR USE WITH THESE CONNECTORS:



INSERTS: NYLON  
 GLASS-FILLED  
 SELF-EXTINGUISHING  
 COLOR: BLACK



SEE DRAWING	SEE DRAWING	216165-1
FINISH	MATERIAL	PARTNUMBER

THIS DRAWING IS A CONTROLLED DOCUMENT.		DWN	07-12-88	TE Connectivity HDP-22 REC. CONNECTOR, SIZE 2, (26 POSITION)			
DIMENSIONS: mm		CHK	02-01-89				
TOLERANCES UNLESS OTHERWISE SPECIFIED:		APVD	04-01-89				
0 PLC ± - 1 PLC ± - 2 PLC ± - 3 PLC ± - 4 PLC ± - ANGLES ± -		PRODUCT SPEC	-				
WIRE RANGE		INSUL. RANGE	-	APPLICATION SPEC	-	NAME	-
-		-		WEIGHT	-	SIZE	A3
				CUSTOMER DRAWING		CAGE CODE	00779
						DRAWING NO	C-216165
						RESTRICTED TO	-
						SCALE	NTS
						SHEET	1 OF 1
						REV	B