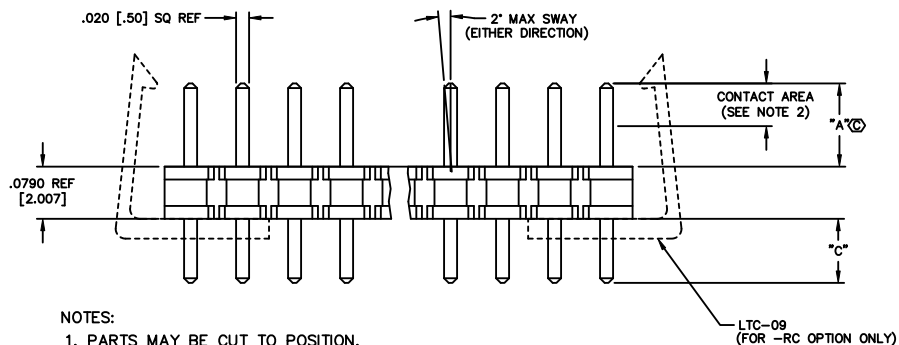
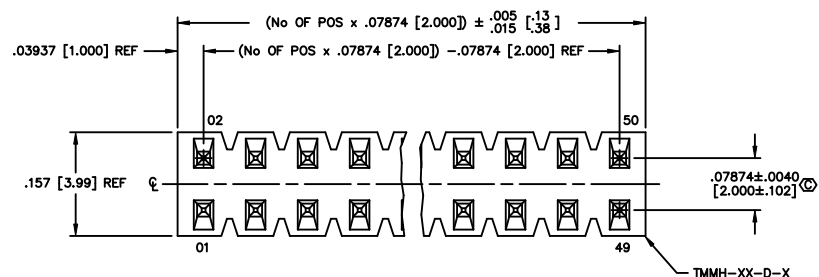


REVISION AU

TABLE 1				
LEAD STYLE	"A"	"B"	TERMINAL	"C"
-01	.126 [3.20]	.302 [7.67]	T-1S13-07-XX-2	.097 [2.46] REF
-04	.075 [1.91]	.255 [6.48]	T-1S13-04-XX-2	.101 [2.57] REF
* -05	.065 [1.65]	.234 [5.94] REF	T-1S13-07-XX-2	.090 [2.29]
-21	.126 [3.20]	.255 [6.48]	T-1S13-04-XX-2	.050 [1.27] REF
* -22	.075 [1.91]	.204 [5.18] REF	T-1S13-25-XX-2	.050 [1.27]
-06	.126 [3.20]	.344 [8.74]	T-1S13-31-XX-2	.139 [3.53] REF

\* SEE NOTE 5



NOTES:

- PARTS MAY BE CUT TO POSITION.
- GOLD PLATING TO BE ON POST, TIN PLATING ON TAIL.
- ⊕ REPRESENTS A CRITICAL DIMENSION.
- MINIMUM PUSHOUT FORCE: 1.0 LB.
- MUST SHEAR TO DIMENSION SHOWN.
- NOTE DELETED
- MAX CUT FLASH: .020 [.51]
- WAVE SOLDER APPLICATION ONLY.
- RETAINING CLIP FOR -06 LEAD STYLE ONLY.
- DUE TO THE HIGH AMOUNT OF INSERTION FORCE NEEDED, THE -LC OPTION IS NOT COMPATIBLE WITH AUTO PLACEMENT. SAMTEC RECOMMENDS MANUAL PLACEMENT FOR ALL ASSEMBLIES WITH THE -EC, -EBC, AND -EPC OPTION.

FIG. 1

DIMENSIONS ARE IN INCHES		UNLESS OTHERWISE NOTED	TOLERANCES ARE:	TITLE:	DWG NO:
ONE PLACE DECIMALS ±.1[2.5]	THREE PLACE DECIMALS ±.005[.13]		ANGLES ± 2°	2mm x 2mm TERMINAL STRIP ASSEMBLY	TMMH-1XX-XX-XX-D-XXX-XXX
TWO PLACE DECIMALS ±.01[.3]	FOUR PLACE DECIMALS ±.0020[.051]				SHEET 1 OF 3

TMMH-1XX-XX-XX-D-XXX-XXX

No OF POSITIONS  
-02 THRU -50  
(PER ROW)

LEAD STYLE  
SEE TABLE 1

POLARIZATION  
SPECIFY POSITION -XXX TO BE OMITTED

OPTIONS (IF NO OPTIONS USE TMMC-50-D)

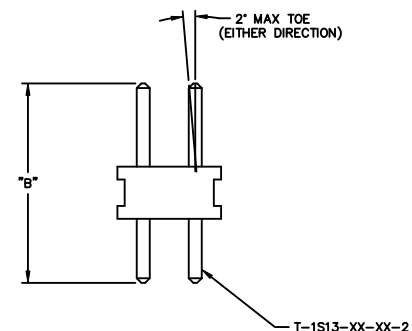
- ES: END SHROUDS (SEE FIG. 2- SHT. 2, 9 POS MIN)
- EL: BOARD LOCK (SEE FIG. 3- SHT. 2, 9 POS MIN)
- EC: LOCKING CLIP (SEE FIG. 4- SHT. 2, 9 POS MIN) (SEE NOTE 10)
- EP: GUIDE POST (SEE FIG. 5- SHT. 2, 9 POS MIN)
- EA: ALIGNMENT PIN (SEE FIG. 6- SHT. 2, 9 POS MIN)
- EBC: BOARD LOCK WITH LOCKING CLIP (SEE FIG. 7- SHT. 3, 9 POS MIN) (SEE NOTE 10)
- EPC: GUIDE POST WITH LOCKING CLIP (SEE FIG. 8- SHT. 3, 9 POS MIN) (SEE NOTE 10)
- \*\* -MW: METAL WASHER (SEE FIG. 9- SHT. 3)  
(5 POS PER ROW MIN, 30 POS PER ROW MAX)
- RC: RETAINING CLIP FOR IDC, USE LTC-09, DOUBLE ROW ONLY, REQUIRES 4 POSITIONS MIN, NOT FOR USE WITH OTHER OPTIONS, SEE NOTES 8 & 9.

ROW OPTION  
-D: DOUBLE  
(USE TMMH-XX-D-X)  
(IF NO OPTIONS USE TMMC-50-D)

PLATING

- L: LIGHT SELECTIVE GOLD (USE T-1S13-XX-L-2)
- F: FLASH GOLD (USE T-1S13-XX-F-2)
- S: SELECTIVE GOLD (USE T-1S13-XX-S-2)
- G: GOLD (USE T-1S13-XX-G-2)
- H: HEAVY GOLD (USE T-1S13-XX-H-2)
- T: TIN (USE T-1S13-XX-T-2)
- TM: MATTE TIN (USE T-1S13-XX-T-2)
- LM: LIGHT SELECTIVE GOLD/MATTE TIN TAIL (USE T-1S13-XX-L-2)
- FM: FLASH GOLD/MATTE TIN TAIL (USE T-1S13-XX-F-2)
- SM: SELECTIVE GOLD/MATTE TIN (USE T-1S13-XX-S-2)

\*\* -MW OPTION, DO NOT DESIGN IN. SAMTEC WILL ONLY SUPPORT EXISTING BUSINESS 2/05/02.



**PROPRIETARY NOTE**  
THIS DOCUMENT CONTAINS PROPRIETARY INFORMATION AND IS THE PROPERTY OF SAMTEC INC. ANY DISCLOSURE TO OTHERS WITHOUT THE WRITTEN CONSENT OF SAMTEC INC. IS STRICTLY PROHIBITED. TO ASSIST CUSTOMERS IN IDENTIFYING THE SOURCE OF THIS DOCUMENT, SAMTEC HAS PLACED THIS NOTICE ON THIS DOCUMENT. SAMTEC INC. 520 PARK EAST BLVD. NEW ALBANY, INDIANA 47150. PHONE (812) 944-6733. P.O. BOX 1147. CODE 55322.

MATERIAL: BLACK, LCP		DISPROOF ASSEMBLY 2MM TMMH-TH
TERMINAL: PHOSPHOR BRONZE		520 PARK EAST BLVD. NEW ALBANY, INDIANA 47150 PHONE (812) 944-6733 P.O. BOX 1147 CODE 55322
MADE BY: PURVIS 12-17-96	TMMH-1XX-XX-XX-D-XXX-XXX	SHEET 1 OF 3