


## UEG 30/2

Order No.: 2790240

The illustration shows version UEG 30/1

<http://eshop.phoenixcontact.de/phoenix/treeViewClick.do?UID=2790240>Electronic housing, for two PCBs, fully equipped with 8 screw or tab  
connections per side

Commercial data	
GTIN (EAN)	 4 017918 072315
sales group	F010
Pack	10 pcs.
Customs tariff	85369010
Catalog page information	Page 559 (CC-2009)

**Product notes**WEEE/RoHS-compliant since:  
01/01/2003

<http://www.download.phoenixcontact.com>  
Please note that the data given here has been taken from the online catalog. For comprehensive information and data, please refer to the user documentation. The General Terms and Conditions of Use apply to Internet downloads.

Technical data	
<b>General</b>	
Housing type	Complete housing
Housing material	Polyamide (PA 6.6)
Color	green

**Dimensions / positions**

Length	79.5 mm
Width	30 mm
Number of positions	16
Pitch	5 mm

**Technical data**

Ambient temperature (operation)	-40 °C ... 105 °C
Inflammability class acc. to UL 94	V0
Power dissipation at 20°C in the horizontal mounting position	4 W 7.2 W

**Connection data**

Conductor cross section solid min.	0.2 mm <sup>2</sup>
Conductor cross section solid max.	4 mm <sup>2</sup>
Conductor cross section stranded min.	0.2 mm <sup>2</sup>
Conductor cross section stranded max.	2.5 mm <sup>2</sup>
Conductor cross section AWG/kcmil min.	24
Conductor cross section AWG/kcmil max	12
Stripping length	8 mm

**Certificates / Approvals**



Certification

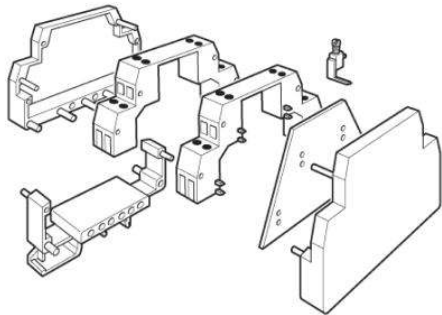
GOST

**Accessories**

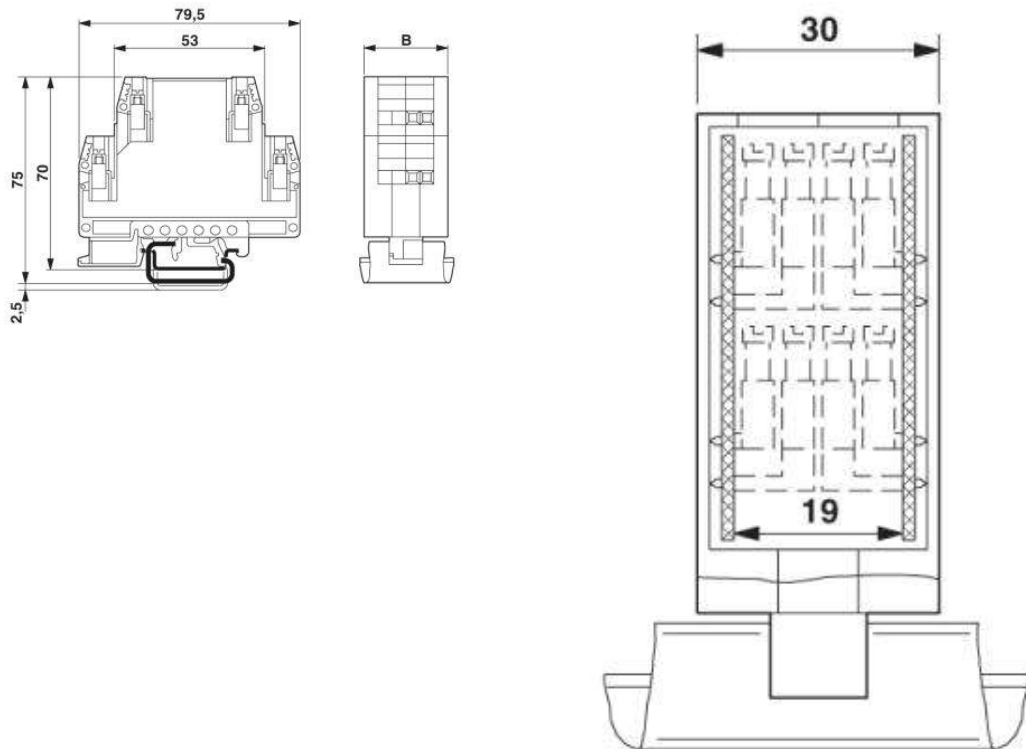
Item	Designation	Description
<b>Bridges</b>		
2820929	DB 50- 90 GY	Wire bridge, Color: gray

## Diagrams/Drawings

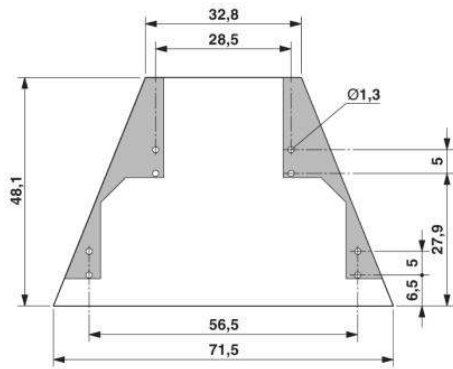
### Explosion drawing



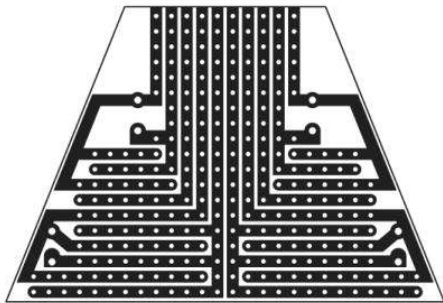
### Dimensioned drawing



UEG 30/2, enlarged internal area, with 2 PCBs arranged as mirror image, up to max. 16 pos.



Schematic diagram



**Address**

PHOENIX CONTACT Deutschland GmbH  
Flachmarktstr. 8  
32825 Blomberg, Germany  
Phone +49 5235 3 12000  
Fax +49 5235 3 41200  
<http://www.phoenixcontact.de>



© 2011 Phoenix Contact  
Technical modifications reserved;