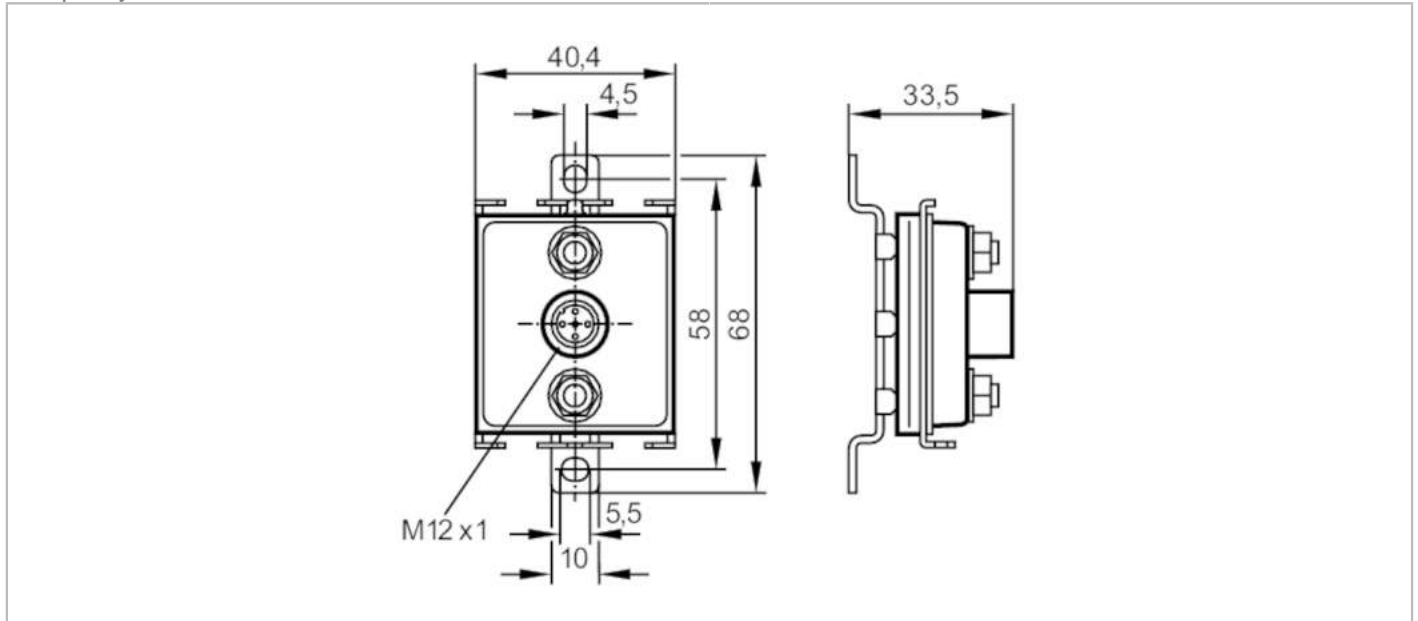


E70354



AS-Interface flat cable insulation displacement connector

FCE Splitter ye/bk ProcessL



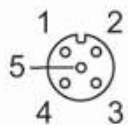
Application	
Design	AS-i / 24 V
Electrical data	
Protection class	III
Max. current load total [A]	4; (AS-i: 2 A; AUX: 2 A)
Operating conditions	
Ambient temperature [°C]	-30...80
Protection	IP 67; IP 68; IP 69K
Tests / approvals	
EMC	EN 61000-6-2
Mechanical data	
Weight [g]	112.3
Materials	metal parts: stainless steel (1.4404 / 316L); rubber gasket for contact pins: FPM; O-ring: EPDM
Tightening torque [Nm]	2.5; (lock nuts)
Accessories	
Accessories (optional)	Torque wrench: , E70390
Remarks	
Pack quantity	1 pcs.
Electrical connection - socket	
Connector: 1 x M12; coding: A; Tightening torque: 1.2...1.4 Nm	

E70354



AS-Interface flat cable insulation displacement connector

FCE Splitter ye/bk ProcessL



Connection

1	AS-i +
2	0 V
3	AS-i -
4	+ 24 V
5	n. c.