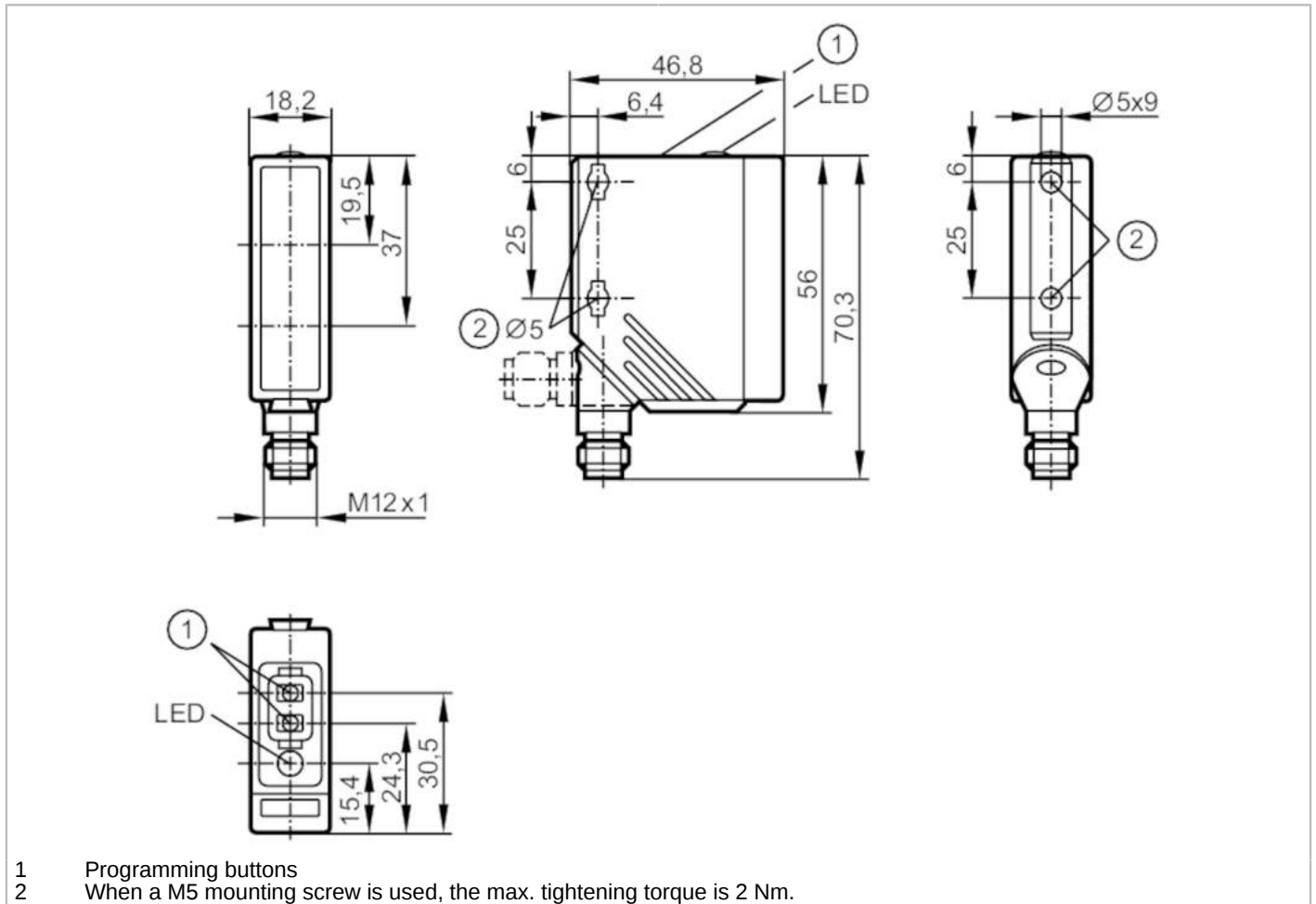


O5P500



Retro-reflective sensor

O5P-FPKG/US100



Product characteristics	
Type of light	red light
Housing	rectangular
Application	
System	polarization filter
Function principle	Retro-reflective sensor
Electrical data	
Operating voltage [V]	10...36 DC; (cULus - Class 2 source required)
Current consumption [mA]	20
Protection class	II
Reverse polarity protection	yes
Type of light	red light
Wave length [nm]	624
Outputs	
Electrical design	PNP
Output function	light-on/dark-on mode; (programmable)
Max. voltage drop switching output DC [V]	2.5

O5P500



Retro-reflective sensor

O5P-FPKG/US100

Permanent current rating of switching output DC [mA]	200
Switching frequency DC [Hz]	2000
Short-circuit protection	yes
Type of short-circuit protection	yes (non-latching)
Overload protection	yes

Monitoring range	
Range referred to prismatic reflector [m]	0.075...10; (Prismatic reflector Ø 80 E20005)
Range adjustable	yes
Max. light spot diameter [mm]	250
Light spot dimensions refer to	at maximum range
Polarization filter available	yes

Operating conditions	
Ambient temperature [°C]	-25...60
Protection	IP 67

Tests / approvals	
EMC	EN 60947-5-2
MTTF [years]	435

Mechanical data	
Weight [g]	67.5
Housing	rectangular
Dimensions [mm]	56 x 18.2 x 46.8
Material	housing: PA; Front framework: stainless steel; operator interface: TPU (urethane)
Lens material	PMMA
Lens alignment	Side sensing

Displays / operating elements		
Display	Switching status	1 x LED, yellow
Teach function		yes
Electronic lock		yes

Remarks	
Pack quantity	1 pcs.

Electrical connection

Connector: 1 x M12; coding: A



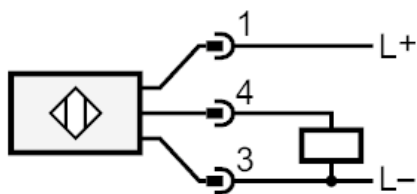
O5P500



Retro-reflective sensor

O5P-FPKG/US100

Connection



Diagrams and graphs

excess gain graph

