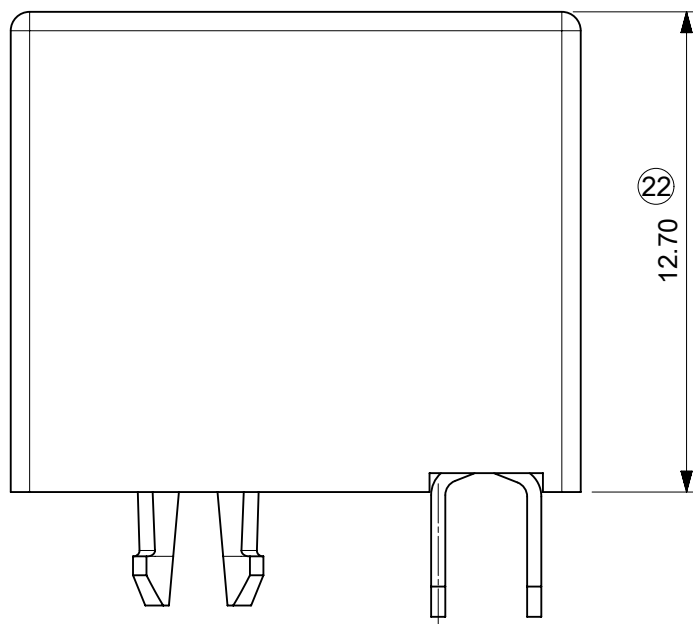


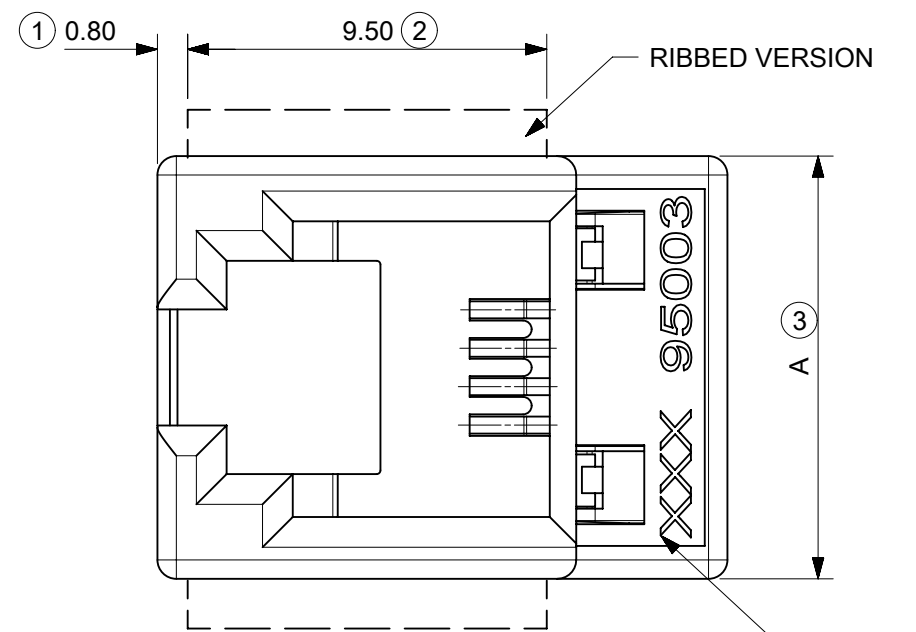
NOTES :

- MATERIAL:**
HOUSING: LCP FIBER GLASS FILLED UL 94-V0
COLOR BLACK.
TERMINAL: COPPER ALLOY
BASE FINISH: NICKEL
CONTACT SURFACE FINISH
GOLD
OR
GOLD FLASH OVER PALLADIUM NICKEL
EXCEEDS PRODUCT REQUIREMENTS BASED ON PSD-95503-001
- JACK FOR MATING WITH F.C.C. 68 PLUGS
90075 MOLEX SERIES.
- P.C.B. THICKNESS: 1.57
- PRODUCT SPECIFICATION PSD-95503-001
- PACKAGING SPECIFICATION:
STANDARD PACKAGING PK-95003 SHEET 1.
TUBE PACKAGING FOR SMT VERSION PK-95003 SHEET 2.
TUBE PACKAGING FOR THROUGH HOLE VERSION
PK-95003 SHEET 3.
TAPE AND REEL PACKAGING FOR THROUGH HOLE PK-95503-001.
- MANUFACTURING I.D. CAN BE MXF, MG, MXI OR MXCH.
INSPECTION NUMBERS USED: (1) - (50)
LAST INSPECTION NUMBER: (23)
REMOVED INSPECTION NO: 20

TYPE DIM.	POS. 4	POS. 6		POS.8
	4 CKTS.	4 CKTS.	6 CKTS.	8 CKTS.
A	11.18	13.21	13.21	15.24
B	7.62	10.16	10.16	11.43
D	3.81	3.81	6.35	8.89

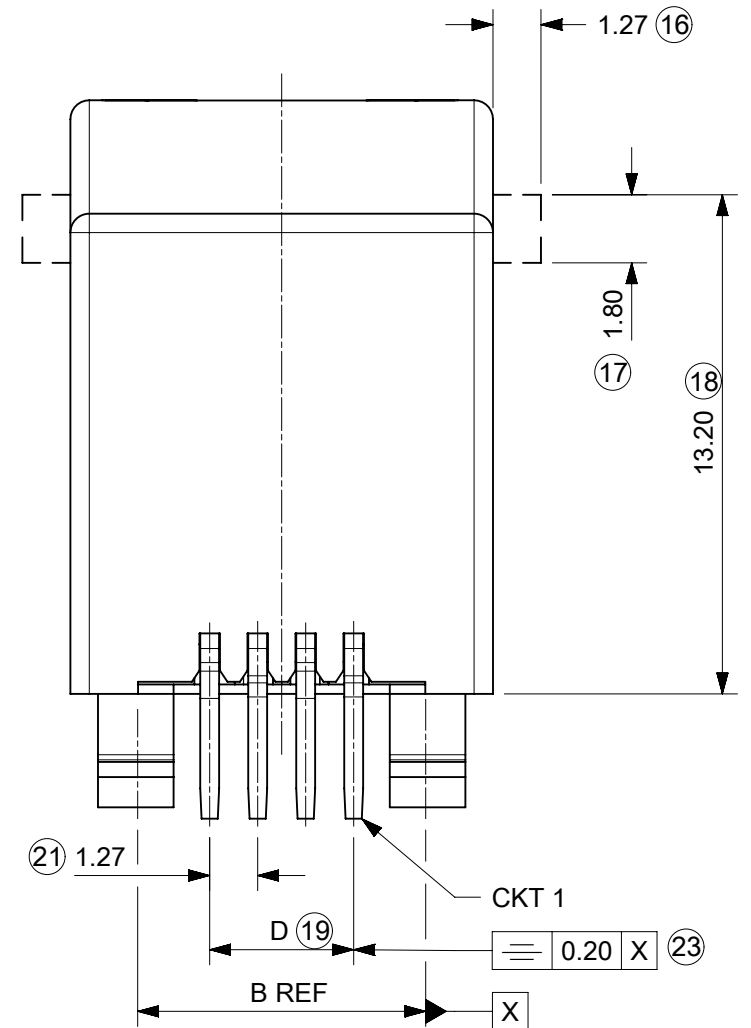
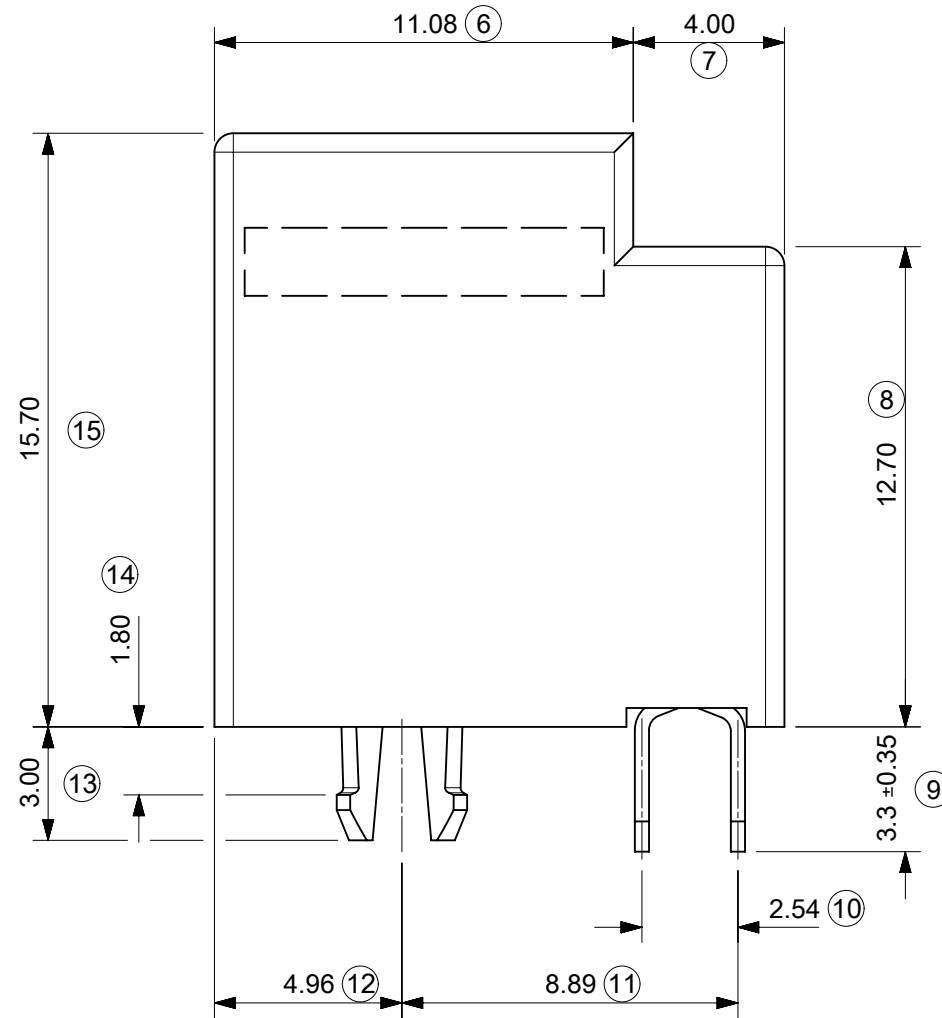
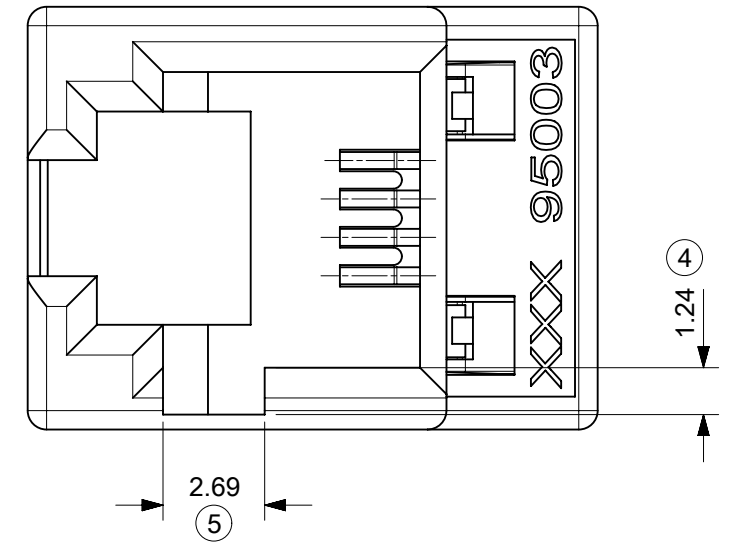


SHORT VERSION



NOTE 6

OPTIONAL KEYING



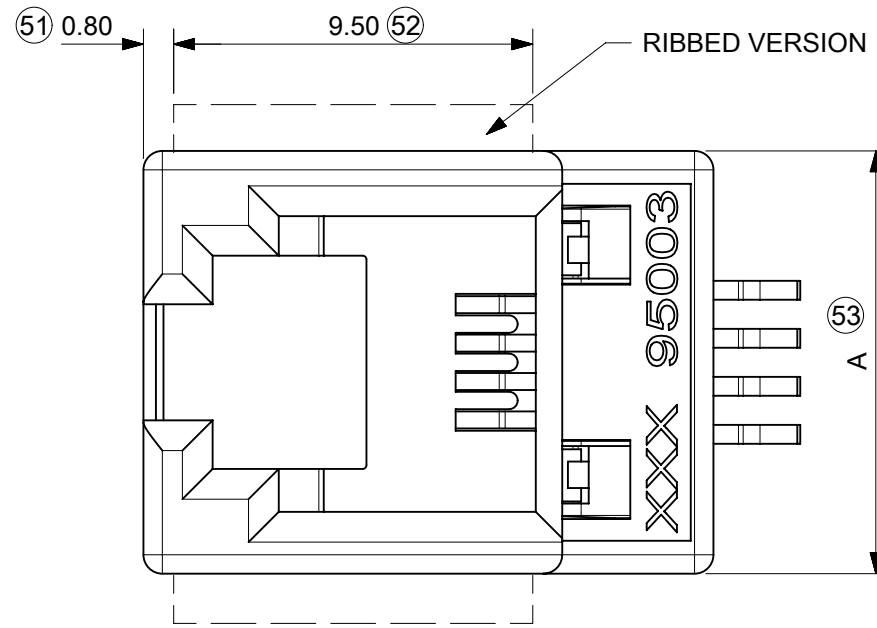
THIS DRAWING CONTAINS INFORMATION THAT IS PROPRIETARY TO MOLEX ELECTRONIC TECHNOLOGIES, LLC AND SHOULD NOT BE USED WITHOUT WRITTEN PERMISSION									
DIMENSION UNITS	SCALE	CURRENT REV DESC: REMASTERED USING 3D MODELS							
mm	5:1								
GENERAL TOLERANCES (UNLESS SPECIFIED)									
ANGULAR TOL	± 0.5 °	EC NO: 686850 DRWN: SANTHN 2021/06/10 CHK'D: KLANG 2022/01/13 APPR: KLANG 2022/01/13							
4 PLACES	±	INITIAL REVISION: DRWN: TMARTIN 2005/06/29 APPR: KNOLLER 2005/07/04							
3 PLACES	±	DOCUMENT NUMBER: SD-95503-003 DOC TYPE: PSD DOC PART: 001 REVISION: H1							
2 PLACES	± 0.15	DRAFT WHERE APPLICABLE MUST REMAIN WITHIN DIMENSIONS							
1 PLACE	± 0.25	THIRD ANGLE PROJECTION							
0 PLACES	±	DRAWING: A3-SIZE SERIES: 95503 MATERIAL NUMBER: SEE CHART CUSTOMER: GENERAL MARKET SHEET NUMBER: 1 OF 5							

NOTES:

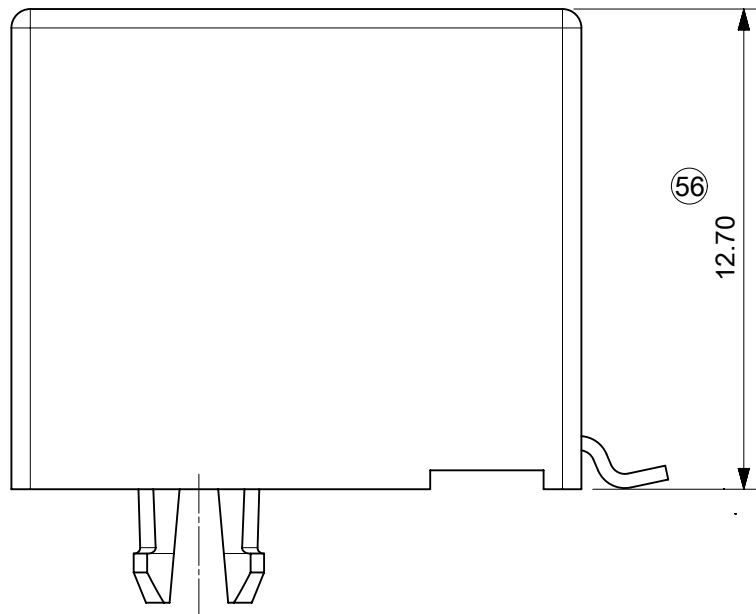
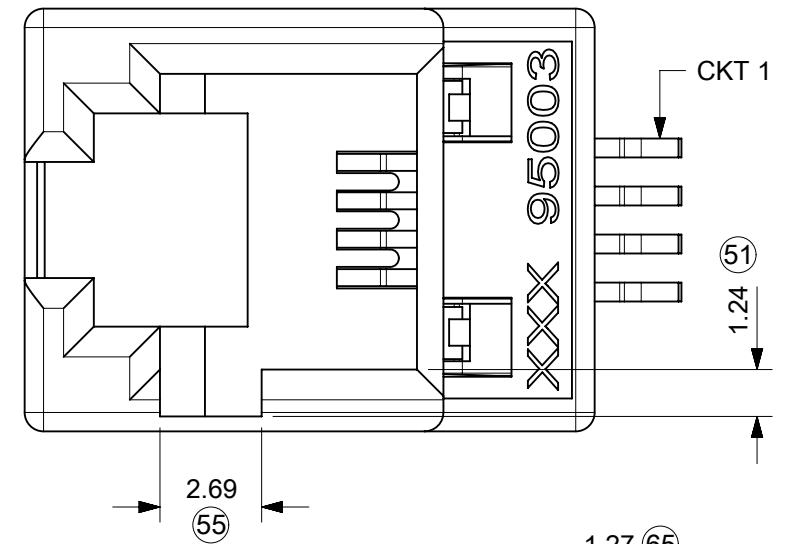
1. **MATERIAL:**
HOUSING: L C P FIBER GLASS FILLED UL 94-V0
COLOR BLACK.
2. APPLICATION SPECIFICATION: AS-85513-001 (SMT).
3. SEE OTHER NOTES SHEET 1.
4. COPLANARITY OF SIGNAL TAILS 0.1mm MAX
RELEVANT TO EACH OTHER.

INSPECTION NUMBERS USED: (51) - (100)

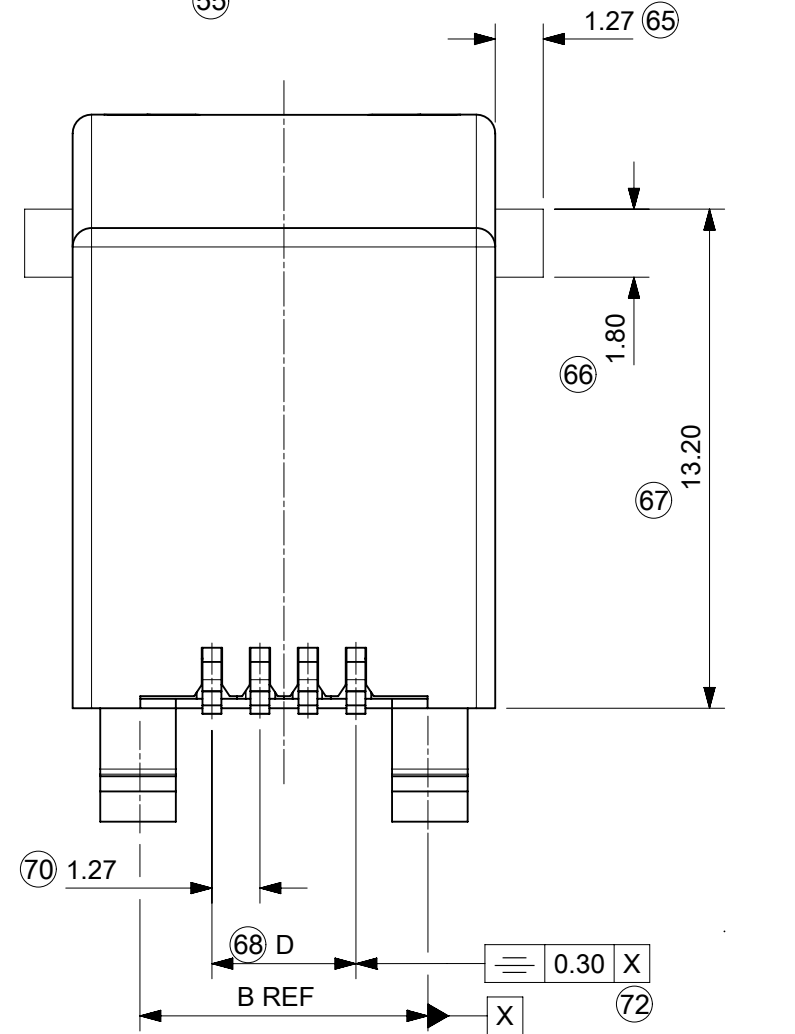
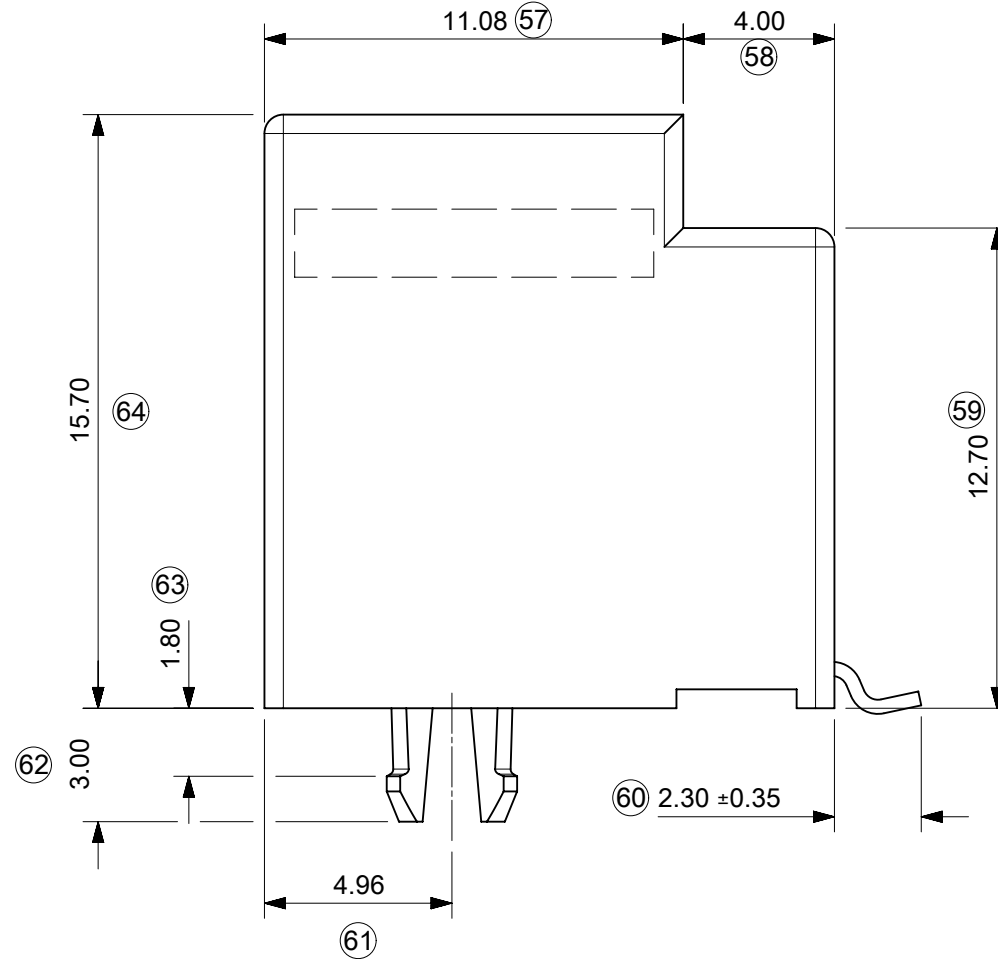
LAST INSPECTION NUMBER: (72)
REMOVED INSPECTION NO: 69



OPTIONAL KEYING



SHORT VERSION



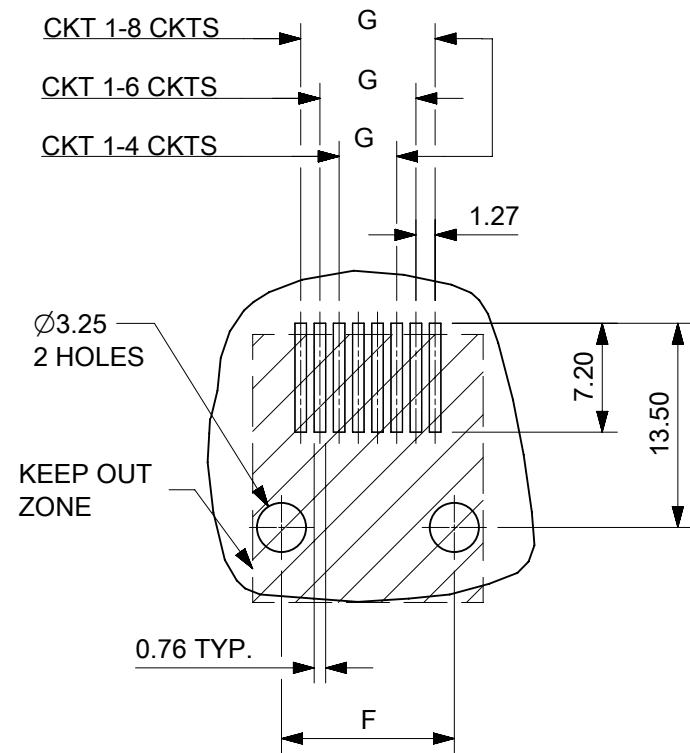
DIM. \ TYPE	POS. 4	POS. 6		POS. 8
	4 CKTS.	4 CKTS.	6 CKTS.	8 CKTS.
A	11.18	13.21	13.21	15.24
B	7.62	10.16	10.16	11.43
D	3.81	3.81	6.35	8.89

THIS DRAWING CONTAINS INFORMATION THAT IS PROPRIETARY TO MOLEX ELECTRONIC TECHNOLOGIES, LLC AND SHOULD NOT BE USED WITHOUT WRITTEN PERMISSION		CURRENT REV DESC: REMASTERED USING 3D MODELS		molex	
DIMENSION UNITS	SCALE	EC NO: 686850			
mm	5:1	DRWN: SANTHN 2021/06/10		PRODUCT CUSTOMER DRAWING	
GENERAL TOLERANCES (UNLESS SPECIFIED)		CHK'D: KLANG 2022/01/13		DOCUMENT NUMBER	
ANGULAR TOL ± 0.5°		APPR: KLANG 2022/01/13		SD-95503-003	
4 PLACES ±		INITIAL REVISION:		DOC TYPE	
3 PLACES ±		DRWN: TMARTIN 2005/06/29		PSD	
2 PLACES ± 0.15		APPR: KNOLLER 2005/07/04		DOC PART	
1 PLACE ± 0.25				001	
0 PLACES ±				REVISION	
DRAFT WHERE APPLICABLE MUST REMAIN WITHIN DIMENSIONS		THIRD ANGLE PROJECTION		H1	
		DRAWING		MATERIAL NUMBER	
		A3-SIZE		SEE CHART	
		SERIES		CUSTOMER	
		95503		GENERAL MARKET	
				SHEET NUMBER	
				2 OF 5	

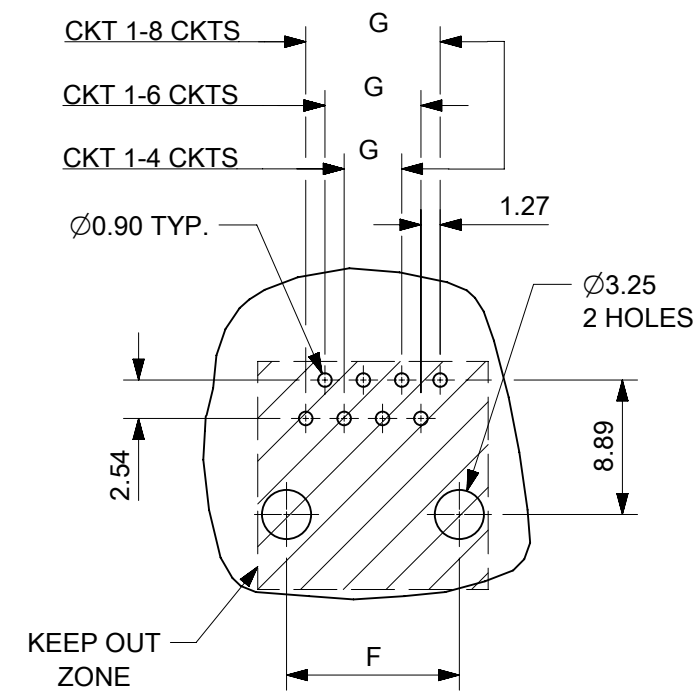
TYPE \ DIM.	POS. 4	POS. 6		POS.8
	4 CKTS.	4 CKTS.	6 CKTS.	8 CKTS.
F±0.05	7.62	10.16	10.16	11.43
G±0.05	3.81	3.81	6.35	8.89

P.C.B MOUNTING PATTERNS - SEEN FROM COMPONENT SIDE

FOR SMT JACK (SURFACE MOUNT)



FOR STANDARD JACK (THROUGH HOLE)



NOTES:
ALL DIMENSIONS REF DIMENSIONS.

THIS DRAWING CONTAINS INFORMATION THAT IS PROPRIETARY TO MOLEX ELECTRONIC TECHNOLOGIES, LLC AND SHOULD NOT BE USED WITHOUT WRITTEN PERMISSION									
DIMENSION UNITS	SCALE	CURRENT REV DESC: REMASTERED USING 3D MODELS							
mm	2:1								
GENERAL TOLERANCES (UNLESS SPECIFIED)									
ANGULAR TOL	± 0.5°	LOW PROFILE TOP ENTRY JACK (THROUGH HOLE VERSION)							
4 PLACES	±	PRODUCT CUSTOMER DRAWING							
3 PLACES	±	EC NO: 686850 DRWN: SANTHN 2021/06/10 CHK'D: KLANG 2022/01/13 APPR: KLANG 2022/01/13							
2 PLACES	± 0.15	INITIAL REVISION: DRWN: TMARTIN 2005/06/29 APPR: KNOLLER 2005/07/04							
1 PLACE	± 0.25	DOCUMENT NUMBER: SD-95503-003							
0 PLACES	±	DOC TYPE: PSD DOC PART: 001 REVISION: H1							
DRAFT WHERE APPLICABLE MUST REMAIN WITHIN DIMENSIONS	THIRD ANGLE PROJECTION	DRAWING	SERIES	MATERIAL NUMBER	CUSTOMER	SHEET NUMBER			
		A3-SIZE	95503	SEE CHART	GENERAL MARKET	3 OF 5			

HOUSING SIZE	LOADED CONTACTS
4	4
6	4
6	6
8	8

PART NO. FOR JACK ASSEMBLY THROUGH HOLE STANDARD VERSION					
LCP FIBER GLASS FILLED UL-94V0 COLOR BLACK					
NO KEY	TOOLED	KEY	TOOLED		TOOLED
NO RIB	TOOLED	NO RIB	TOOLED		TOOLED
95503-2441	X				
95503-2641	X				
95503-2661	X				
95503-2881	X	95503-2882	X		


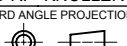
TRAY PACKAGING
SEE PACKAGING SPEC PK-95003 SHEET 1

PART NO. FOR JACK ASSEMBLY THROUGH HOLE STANDARD VERSION					
LCP FIBER GLASS FILLED UL-94V0 COLOR BLACK					
NO KEY	TOOLED	KEY	TOOLED		TOOLED
NO RIB	TOOLED	NO RIB	TOOLED		TOOLED
95503-2884	X				

TRAY PACKAGING
SEE PACKAGING SPEC PK-95003 SHEET 1

TOOLED	X
NOT TOOLED	

NOTES:
PLATING: SEE SHEET 1

THIS DRAWING CONTAINS INFORMATION THAT IS PROPRIETARY TO MOLEX ELECTRONIC TECHNOLOGIES, LLC AND SHOULD NOT BE USED WITHOUT WRITTEN PERMISSION									
DIMENSION UNITS	SCALE	CURRENT REV DESC: REMASTERED USING 3D MODELS							
mm	1:1	 LOW PROFILE TOP ENTRY JACK (THROUGH HOLE VERSION)							
GENERAL TOLERANCES (UNLESS SPECIFIED)									
ANGULAR TOL	± 0.5°	PRODUCT CUSTOMER DRAWING							
4 PLACES	±	EC NO: 686850	2021/06/10		DOCUMENT NUMBER: SD-95503-003 DOC TYPE: PSD DOC PART: 001 REVISION: H1				
3 PLACES	±	DRWN: SANTHN	2022/01/13						
2 PLACES	± 0.15	CHK'D: KLANG	2022/01/13		INITIAL REVISION: DRWN: TMARTIN APPR: KNOLLER 2005/06/29 2005/07/04				
1 PLACE	± 0.25								
0 PLACES	±			MATERIAL NUMBER: SEE CHART CUSTOMER: GENERAL MARKET SHEET NUMBER: 4 OF 5					
DRAFT WHERE APPLICABLE MUST REMAIN WITHIN DIMENSIONS		THIRD ANGLE PROJECTION	DRAWING						SERIES
			A3-SIZE	95503					

TUBE PACKAGING, SEE PACKAGING SPEC. PK 95003
SHEET 2

HOUSING SIZE	LOADED CONTACTS
4	4
6	4
6	6
8	8

PART NO. FOR JACK ASSEMBLY S.M.T. STANDARD VERSION							
LCP FIBER GLASS FILLED UL-94V0 COLOR BLACK.							
NO KEY	TOOLED	KEY	TOOLED	NO KEY	TOOLED		TOOLED
NO RIB	TOOLED	NO RIB	TOOLED	RIB	TOOLED		TOOLED
95503-6451	X						
95503-6651	X						
95503-6671	X						
95503-6891	X						

PART NO. FOR JACK ASSEMBLY S.M.T. SHORT VERSION							
LCP FIBER GLASS FILLED UL-94V0 COLOR BLACK.							
NO KEY	TOOLED	KEY	TOOLED	NO KEY	TOOLED		TOOLED
NO RIB	TOOLED	NO RIB	TOOLED	RIB	TOOLED		TOOLED
95503-6894	X						

TOOLED	X
NOT TOOLED	

NOTES:
PLATING: SEE SHEET 1

THIS DRAWING CONTAINS INFORMATION THAT IS PROPRIETARY TO MOLEX ELECTRONIC TECHNOLOGIES, LLC AND SHOULD NOT BE USED WITHOUT WRITTEN PERMISSION									
DIMENSION UNITS	SCALE	CURRENT REV DESC: REMASTERED USING 3D MODELS							
mm	1:1	molex							
GENERAL TOLERANCES (UNLESS SPECIFIED)		LOW PROFILE TOP ENTRY JACK (THROUGH HOLE VERSION)							
ANGULAR TOL	± 0.5°	PRODUCT CUSTOMER DRAWING							
4 PLACES	±	EC NO: 686850	2021/06/10						
3 PLACES	±	DRWN: SANTHN	2022/01/13						
2 PLACES	± 0.15	CHK'D: KLANG	2022/01/13						
1 PLACE	± 0.25	APPR: KLANG							
0 PLACES	±	INITIAL REVISION:							
DRAFT WHERE APPLICABLE MUST REMAIN WITHIN DIMENSIONS		DRWN: TMARTIN	2005/06/29						
THIRD ANGLE PROJECTION		APPR: KNOLLER	2005/07/04						
DRAWING		SERIES		DOCUMENT NUMBER		DOC TYPE	DOC PART	REVISION	
A3-SIZE		95503		SD-95503-003		PSD	001	H1	
MATERIAL NUMBER		CUSTOMER		SHEET NUMBER					
SEE CHART		GENERAL MARKET		5 OF 5					